

Shaft Metal Construction



CLADDING OPTIONS



RAL 7032



RAL 9006

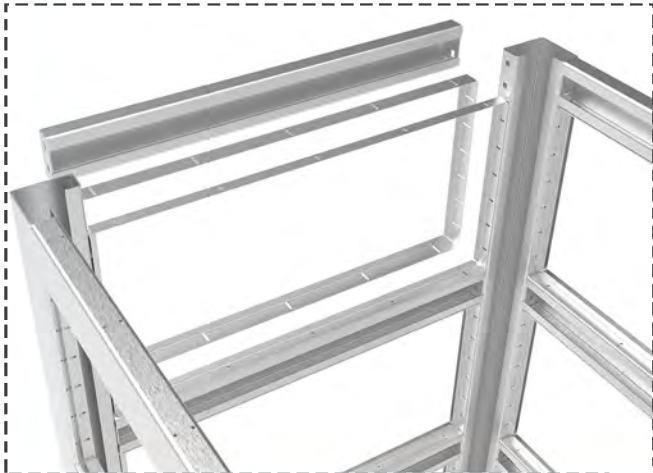


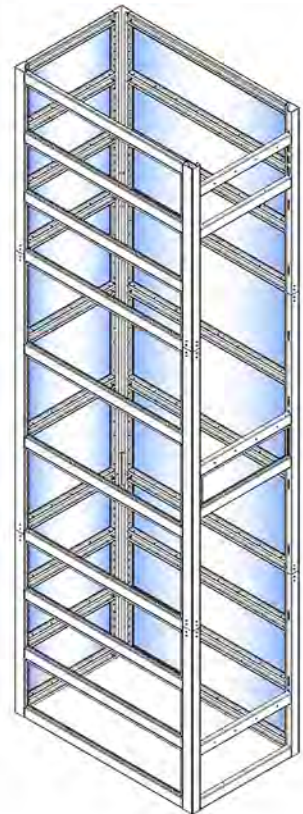
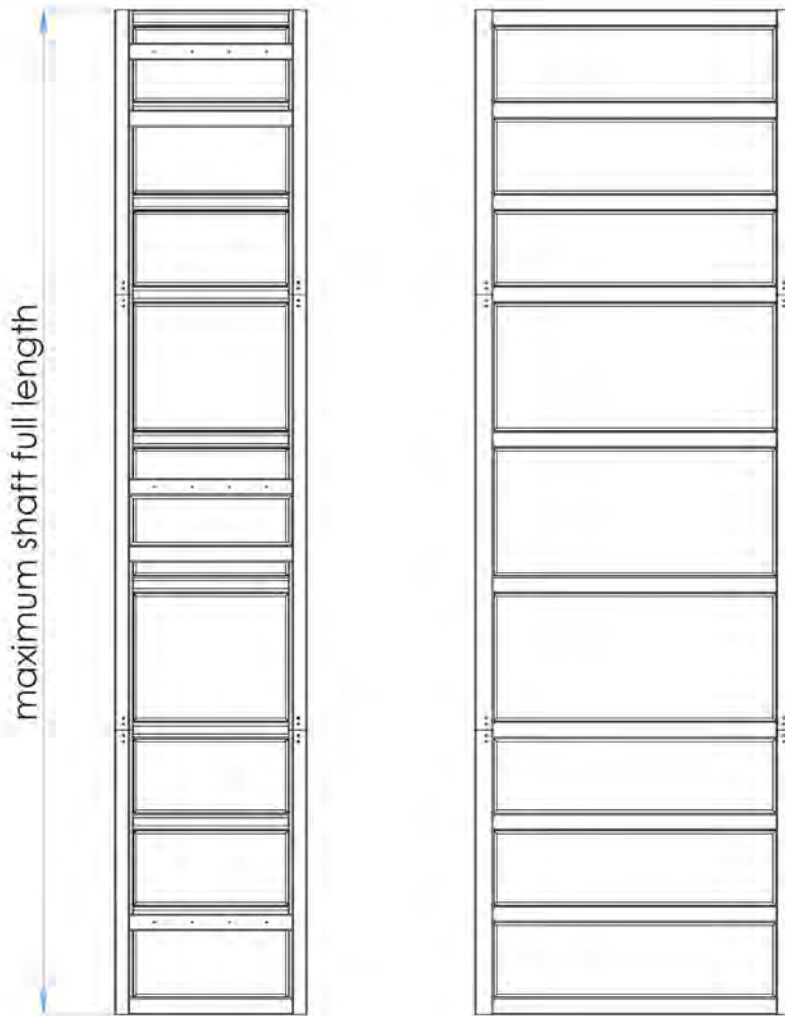
SATIN INOX



GLASS

Easy & Fast Installation





max. capacity	1000kg
max. no of passengers	13
max internal shaft width (mm)	1600
max internal shaft depth (mm)	2340
max external shaft width (mm)	1690
max external shaft depth (mm)	2430
maximum shaft full length (mm)	27000
cabin frame type	G type