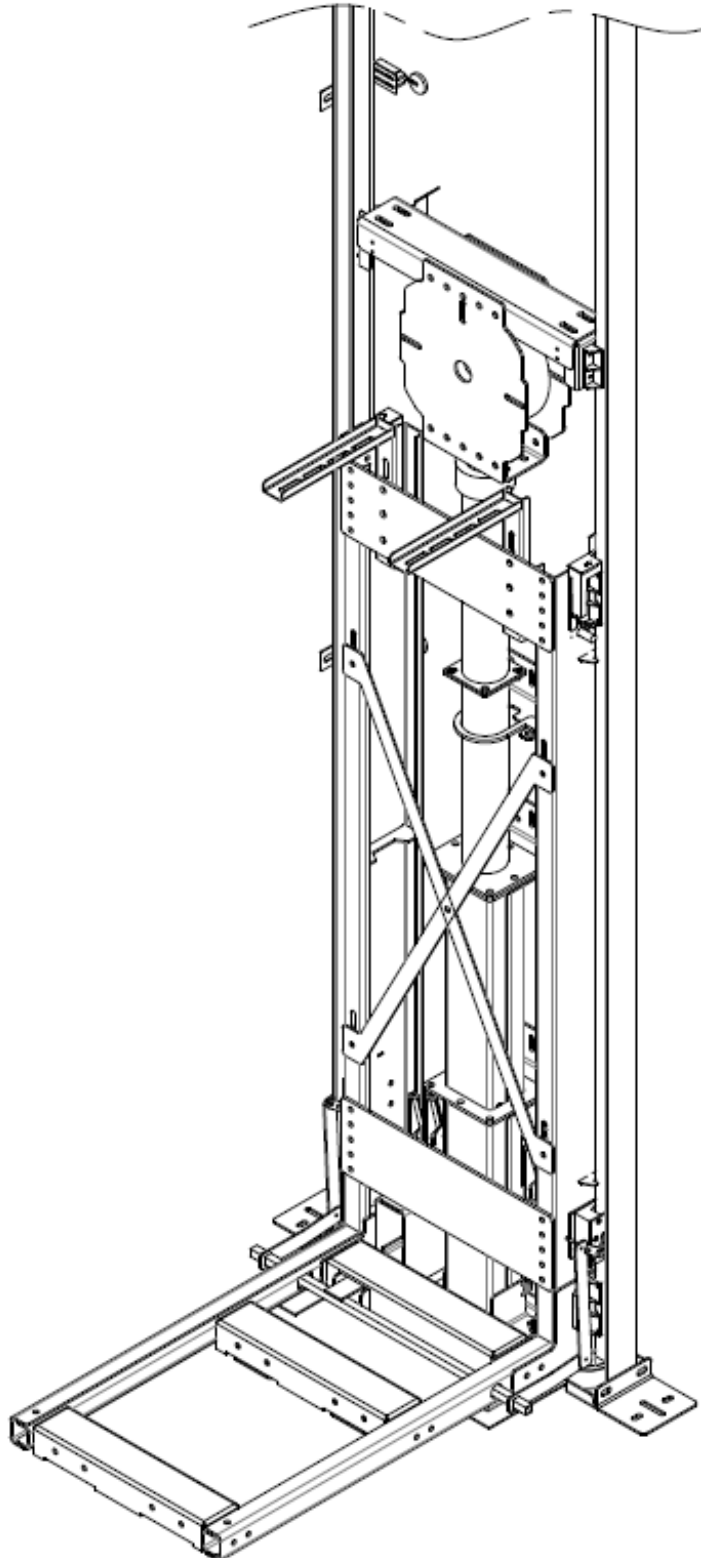
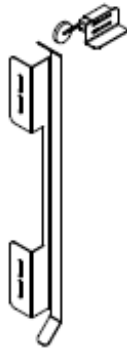
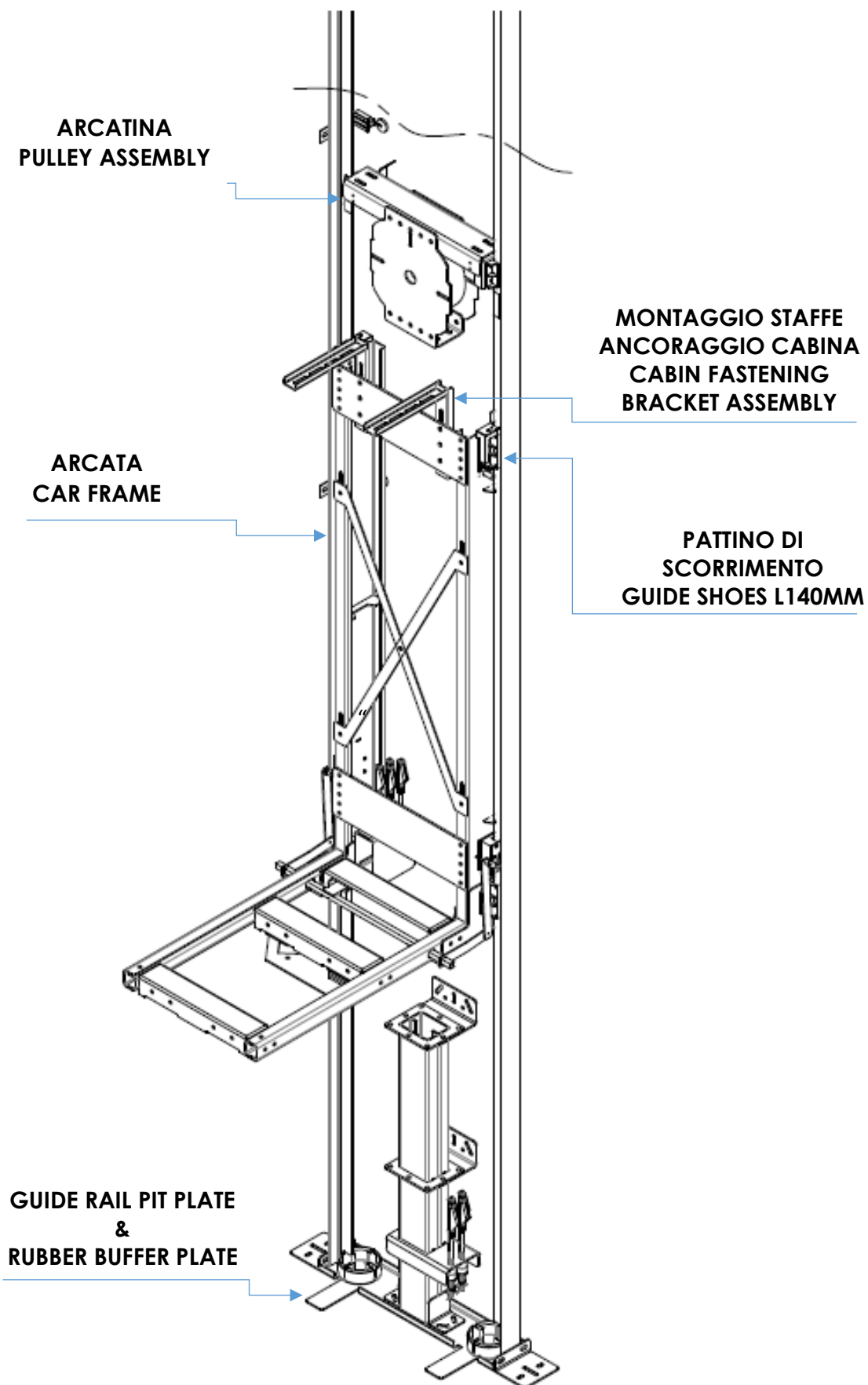


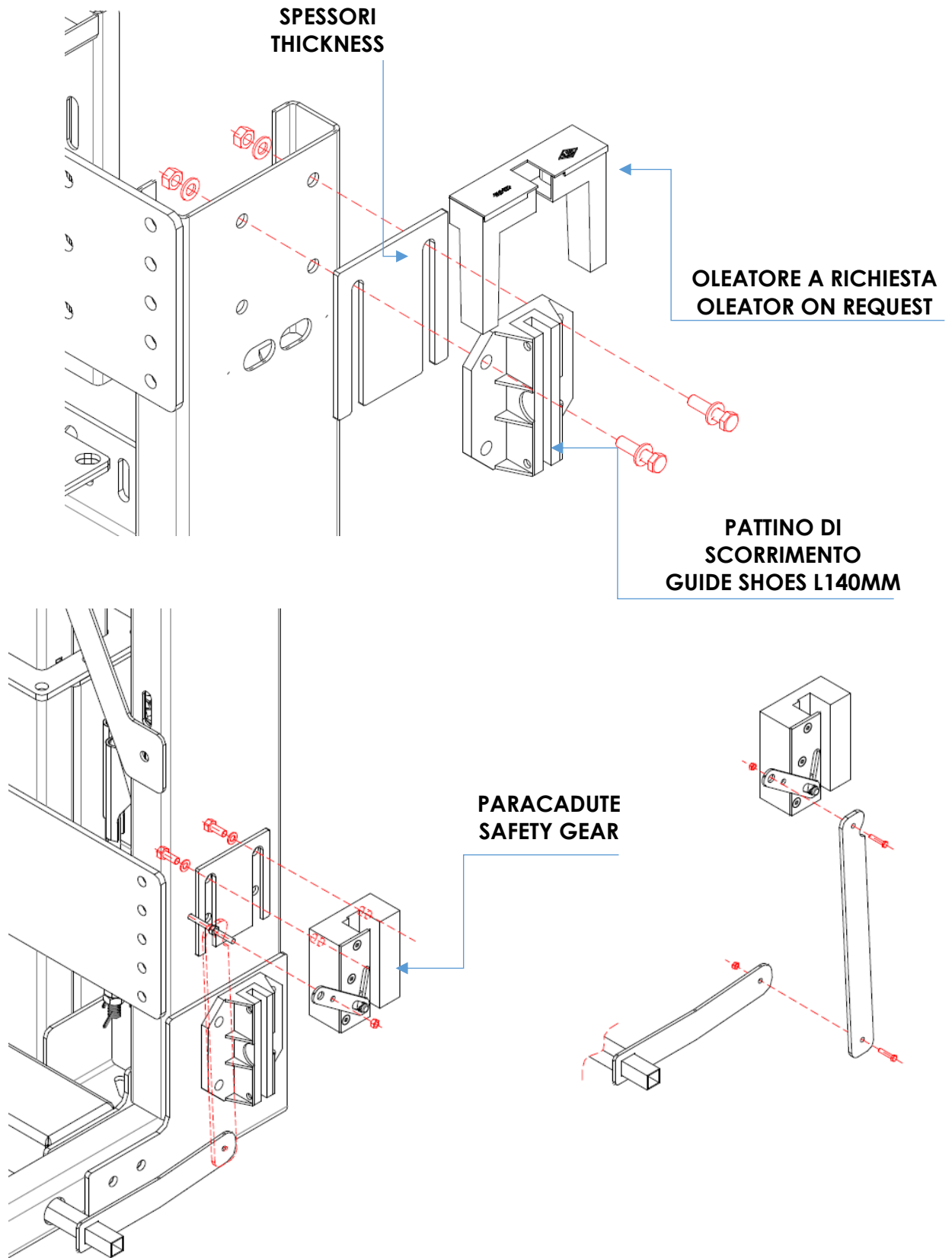
ISTRUZIONI DI MONTAGGIO - HYDRAULIQUE  
ASSEMBLY INSTRUCTION - HYDRAULIC HOMELIFT



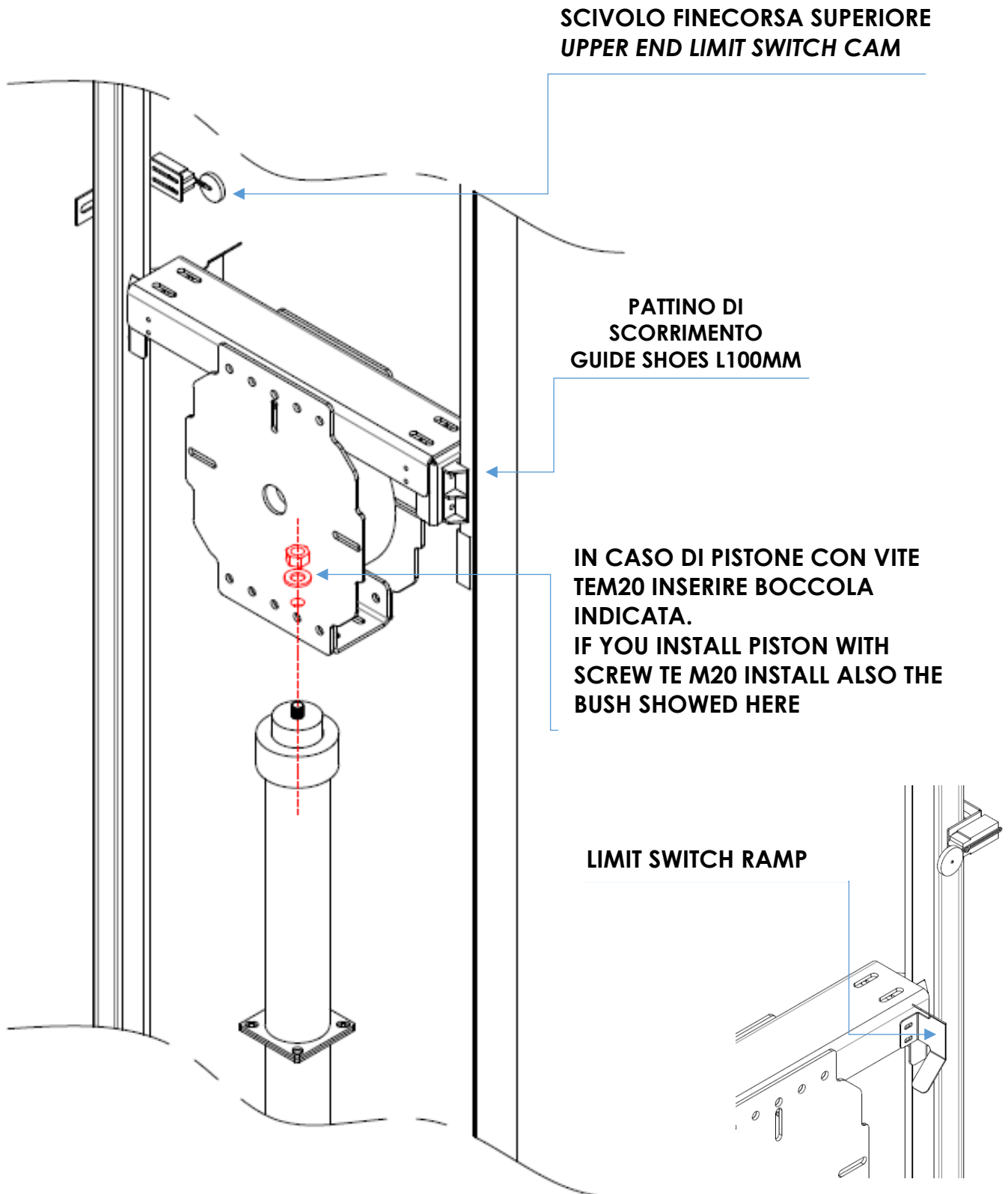
ISTRUZIONI DI MONTAGGIO - ARCATA HYDRAULIQUE  
ASSEMBLY INSTRUCTION - CAR FRAME HYDRAULIC



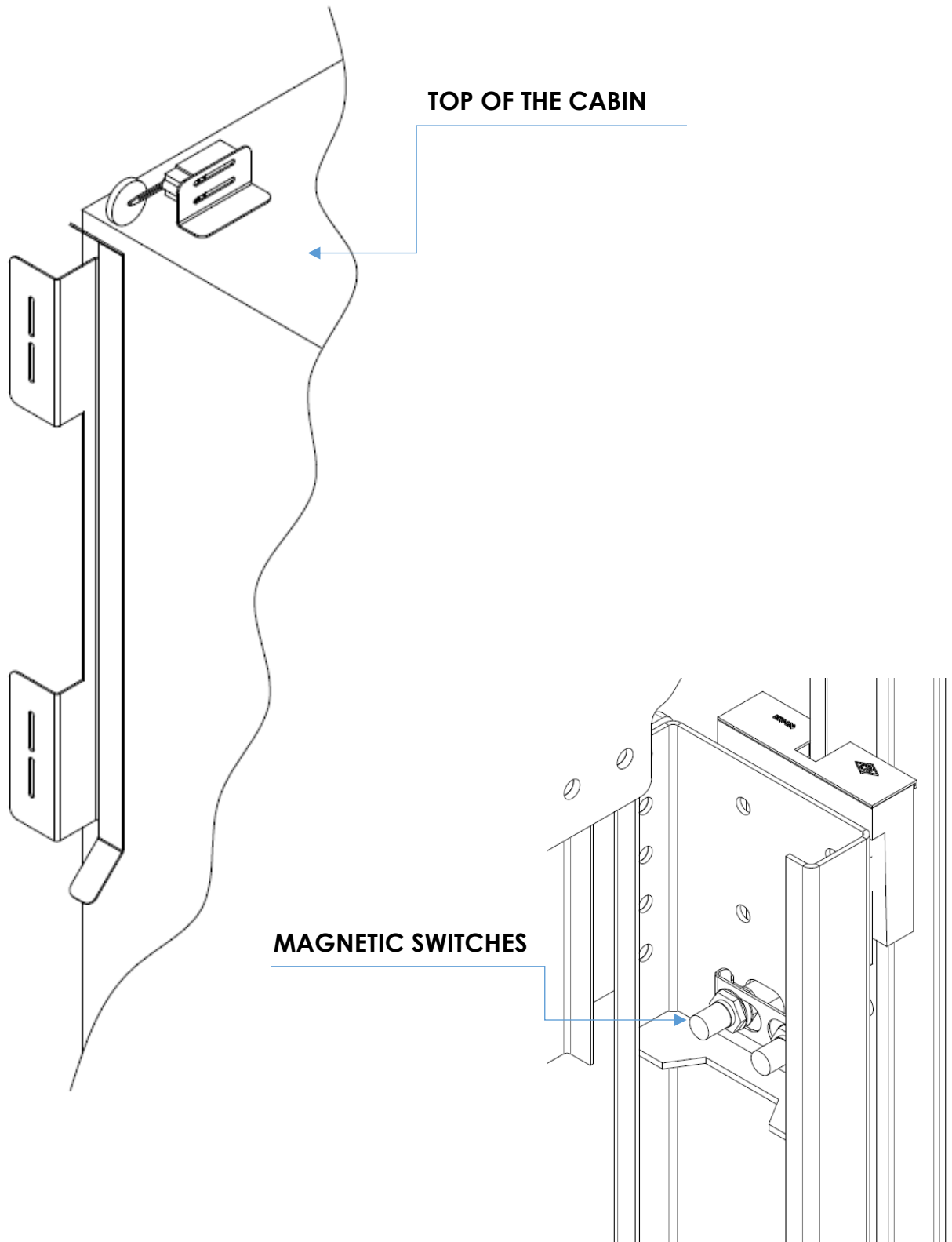
ASSEMBLY PROCEDURE FOR GUIDE SHOES AND SAFETY GEAR



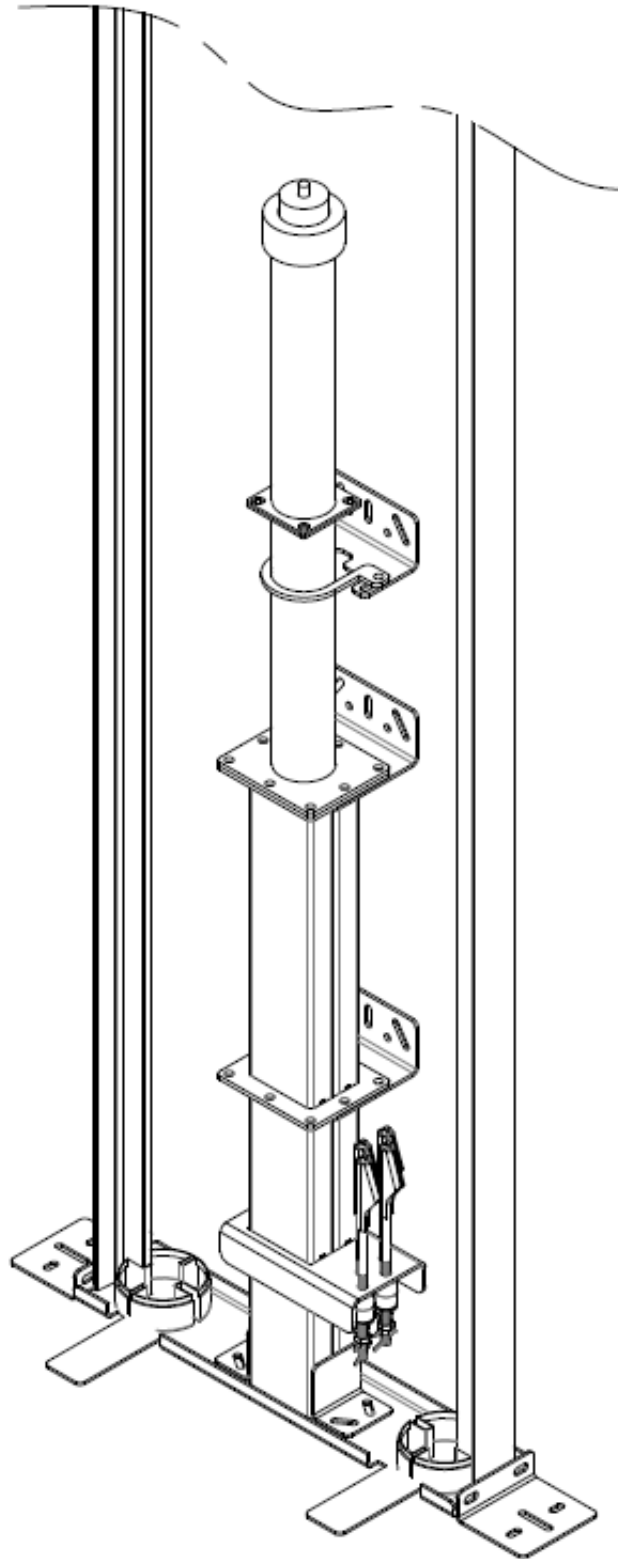
ARCATINA E FINECORSA SUPERIORE  
PULLEY ASSEMBLY AND END LIMIT SWITCH



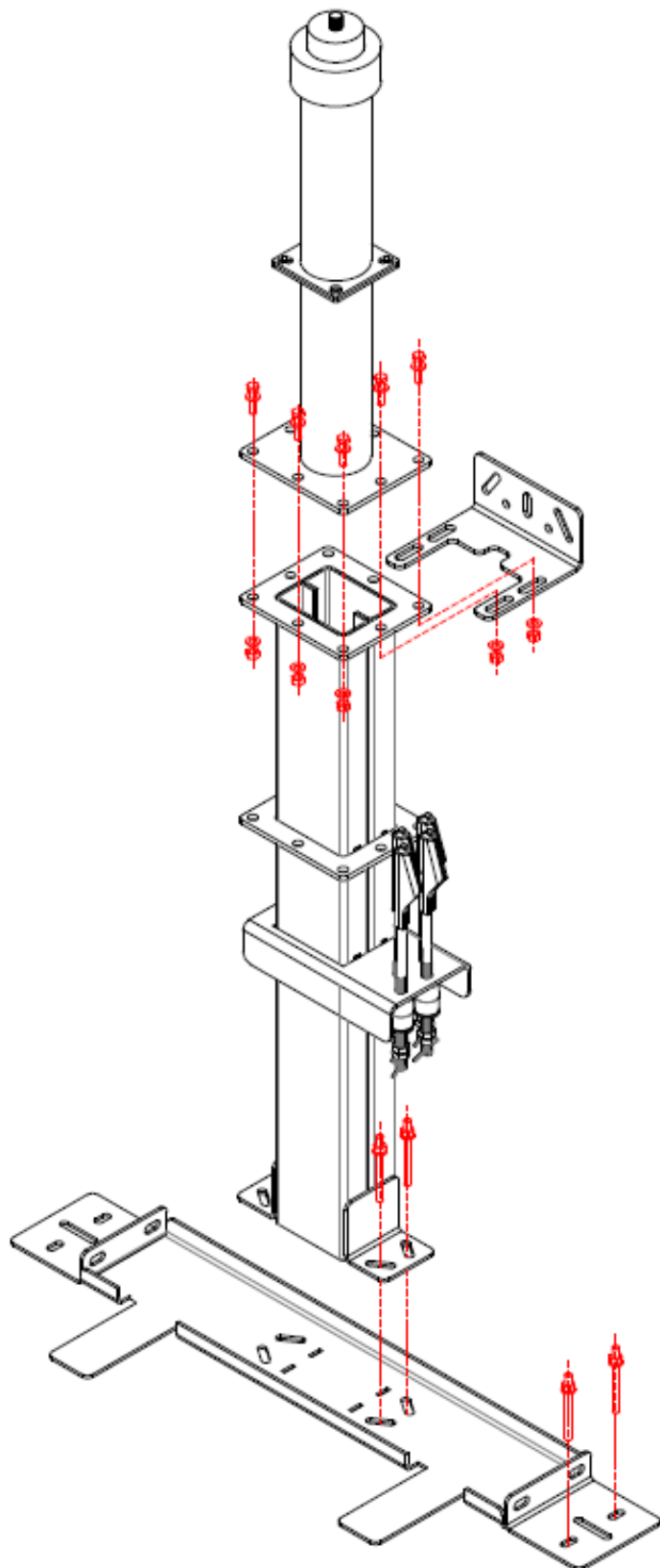
**EXTRA LIMIT SWITCH AND MAGNETIC SWITCH**



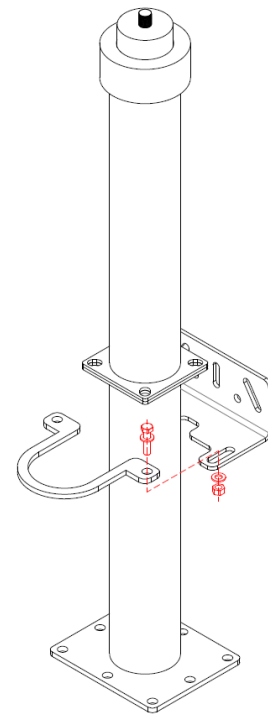
PISTON AND PISTON TABLE ASSEMBLY



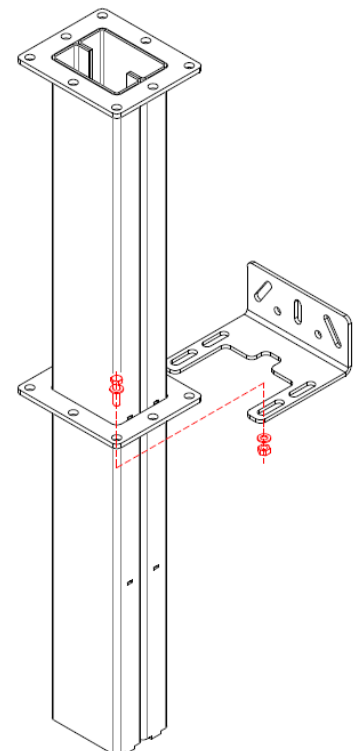
STAFFA PISTONE/PILASTRINO RAM/PILLAR FIXING BRACKET



STAFFA FIX. PISTONE  
PISTON FIXING BRACKET

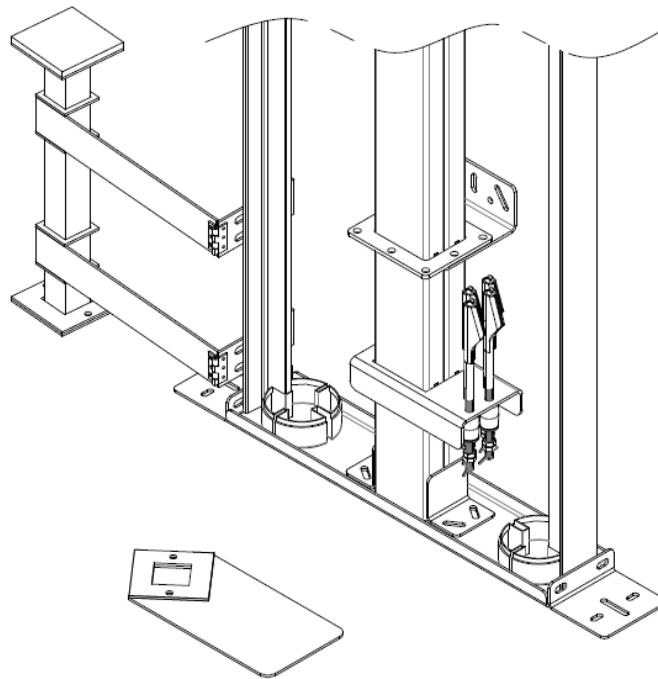


STAFFA FIX. PISTONE PISTON  
TABLE FIXING BRACKET

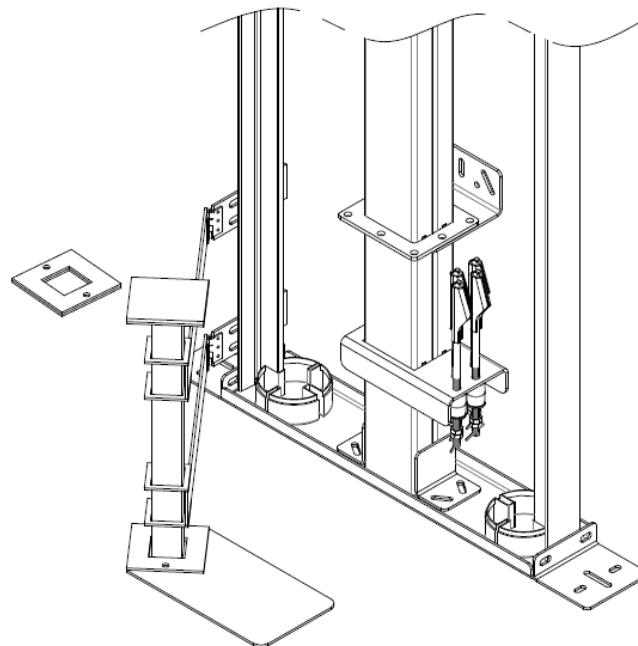


MECHANICAL BUFFER TABLE

PASSIVE POSITION



ACTIVE POSITION





BRAKE SYSTEM CONTROLLER

