

MODEL 4000

Features



Machine Room



Gearless



320-1000 kg



1,0 - 1,6 m/s



80 m



1:1



**Single or 180 Degree
Double Entrance**



G type Cabin Frame



EN 81-20 / EN 81-50

EN 81-21 / EN 81-28

EN 81-70

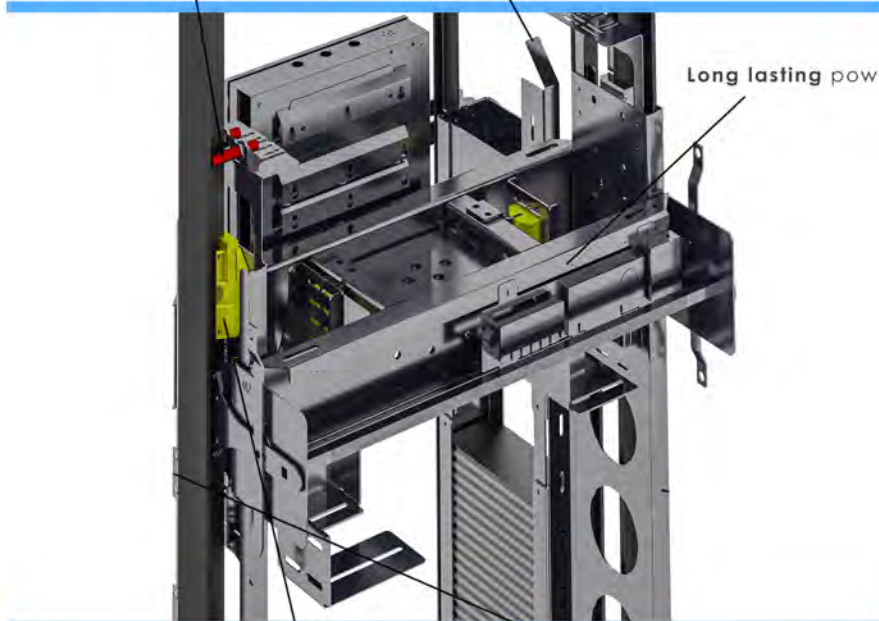


MODEL 4000

Features

Bistable sensor preparation for **easy&quick** installation

Final limit switch plate for **easy&quick** installation



Long lasting powder coating

German ETN guide shoes
No need for lubrication

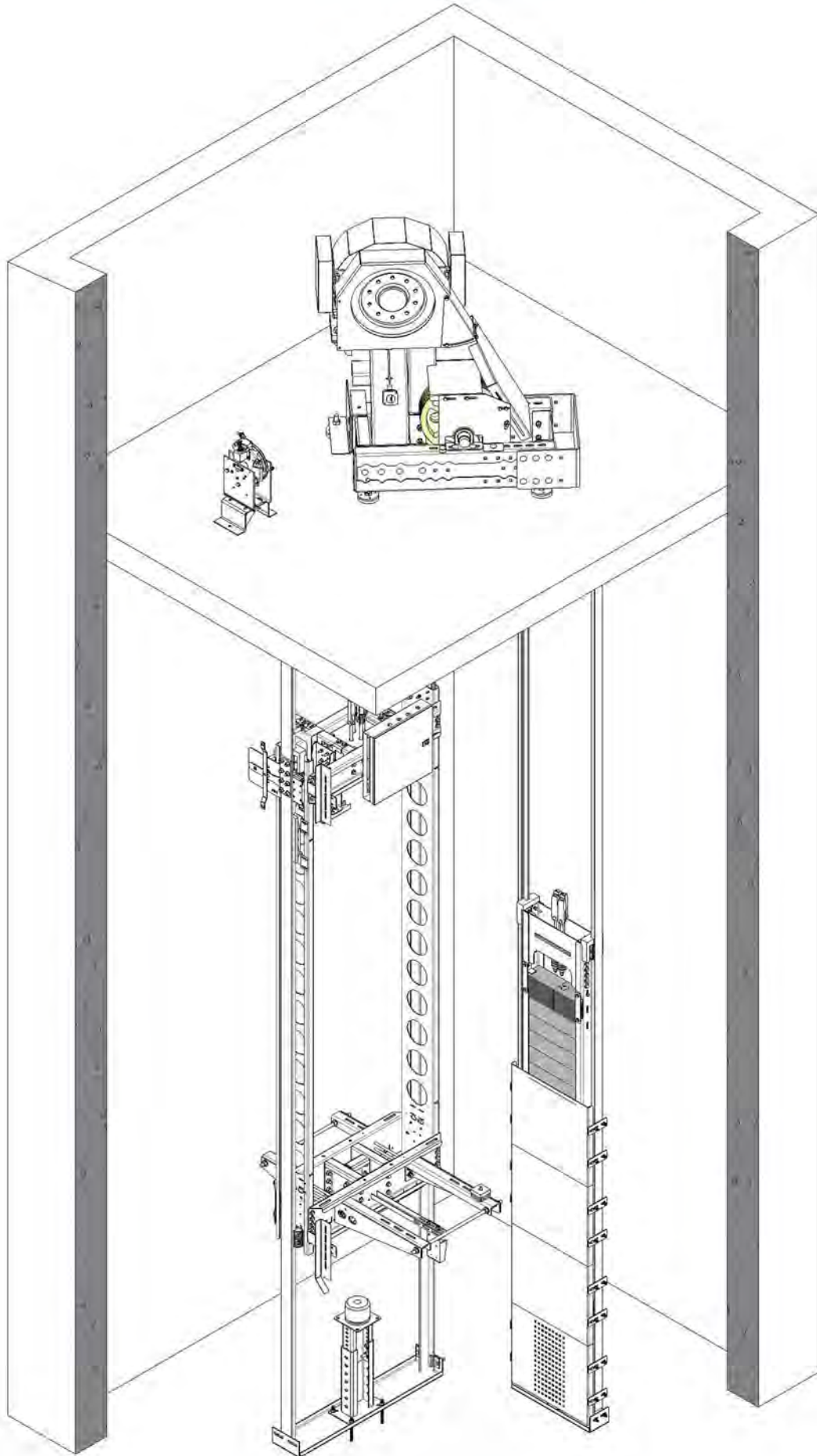
Position sensor preparation for **easy&quick** installation

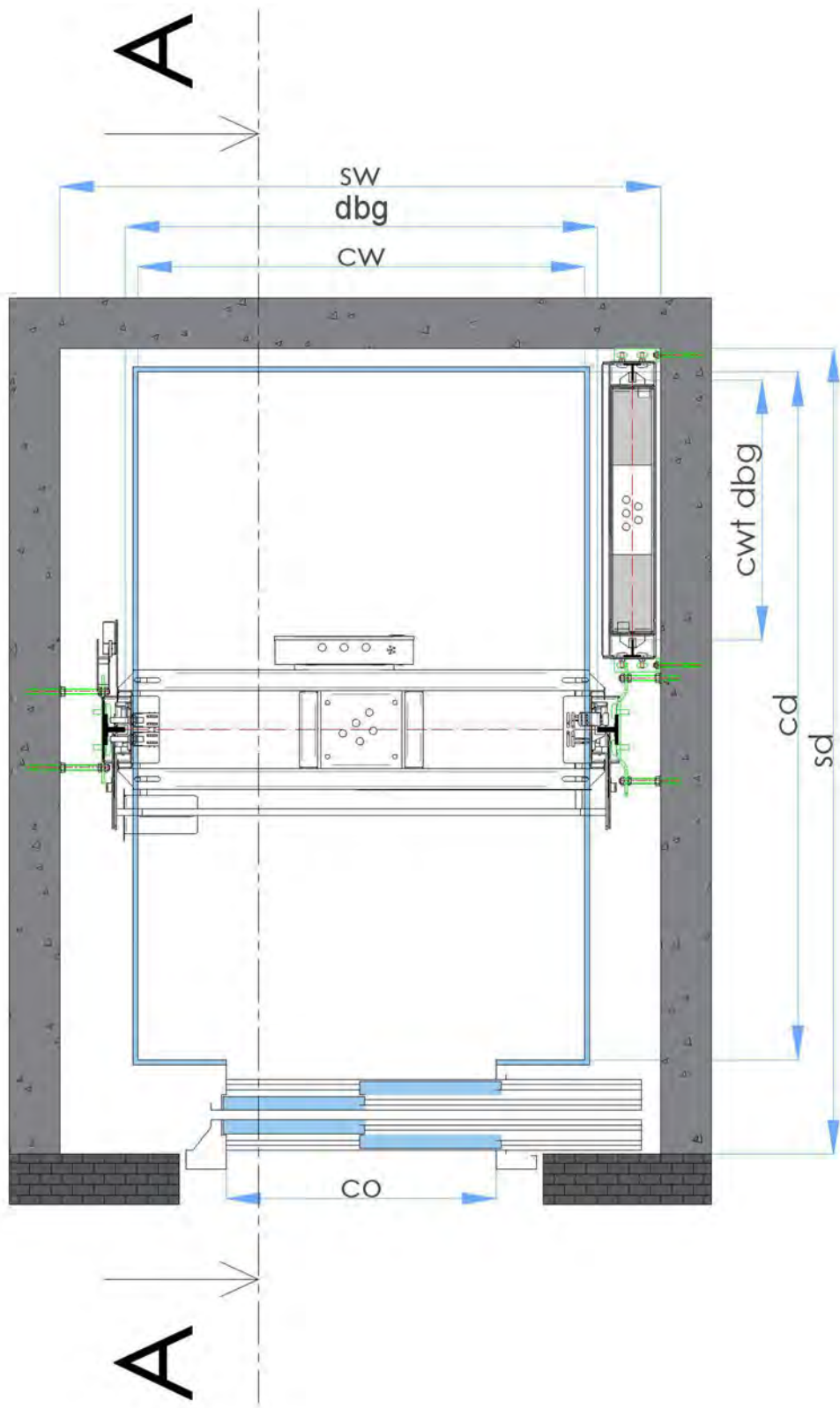
Vulkocell padding provides **silence** in every velocity.

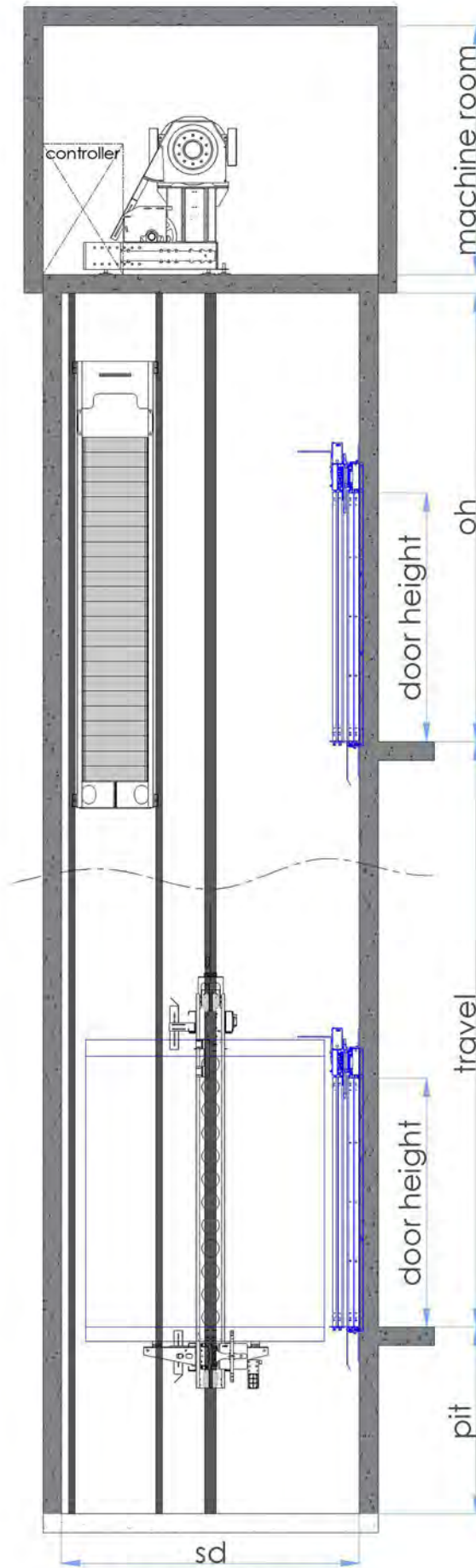
Spanish Dynatech safety gear
We leave nothing chance on **safety** component



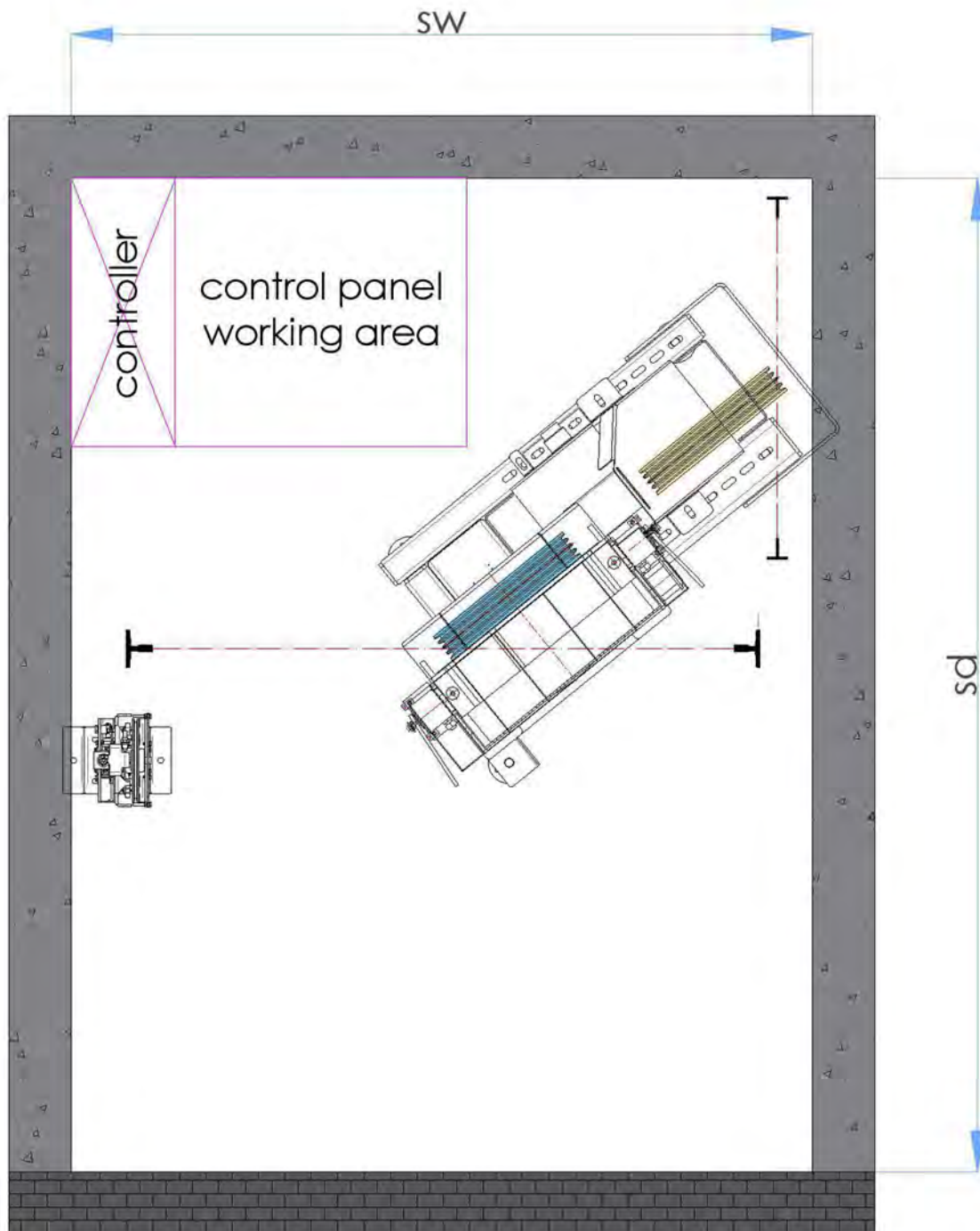
Flexible cable wedge preparation for **easy&quick** installation







SECTION A-A



MODEL 4000

Technical Tables
1 m/s | Dimensions

capacity	320 kg	400 kg	450 kg	630 kg	800 kg	1000 kg
no of passengers	4	5	6	8	10	13
roping	1:1	1:1	1:1	1:1	1:1	1:1
total load, P+Q [kg]	960	1100	1225	1415	1650	2000
max. car area [m ²]	0,9	1,17	1,3	1,66	2	2,4
min. car area [m ²]	0,79	0,98	1,17	1,45	1,73	2,15
shaft width [mm]	1450	1500	1500	1600	1850	1900
shaft depth [mm]	1550	1550	1550	1800	1800	2000
minimum pit depth (mm) EN81-20	1050	1050	1050	1050	1050	1050
minimum headroom (mm) EN81-20	3400	3400	3400	3400	3400	3400
minimum pit depth (mm) EN81-21	500	500	500	500	500	500
minimum headroom (mm) EN81-21	2800	2800	2800	2800	2800	2800
car width [mm]	900	1000	1000	1100	1350	1400
car depth [mm]	1000	1100	1200	1400	1400	1600
car internal height [mm]	2115	2115	2115	2115	2115	2115
door type	2P side opening	2P side opening	2P side opening	2P side opening	2P side opening	2P side opening
door width [mm]	800	800	800	900	900	900
door height [mm]	2000	2000	2000	2000	2000	2000
door total length [mm]	1250	1250	1250	1400	1400	1400
car frame DBG [mm]	990	1090	1090	1190	1440	1490
brace rods						

Motor & Inverter

capacity	320 kg	400 kg	450 kg	630 kg	800 kg	1000 kg
motor model	AKD1	AKD1	AKD1	ADK2	AKD3	AKD3
motor power [kW]	2	2,4	2,9	3,9	4,9	6,1
nominal current [A] for 380V	5,9	7,4	8,9	11,7	14,9	18,6
inverter model for 380V	14 A	14 A	14 A	14 A	17 A	26 A
motor static load [kg]	3500	3500	3500	3500	4500	4500
traction sheave [mm]	400	400	400	400	400	400
no of ropes	4	5	5	6	6	8
dia of ropes [mm]	10	10	10	10	10	10
rope composition	8*19 Warrington	8*19 Warrington	8*19 Warrington	8*19 Warrington	8*19 Warrington	8*19 Warrington
min. breaking load of ropes [N]	67700	67700	67700	67700	67700	67700
rope unit weight [kg/m]	0,423	0,423	0,423	0,423	0,423	0,423

Safety Components

capacity	320 kg	400 kg	450 kg	630 kg	800 kg	1000 kg
safety gear model	PRO 2000	PRO 2000	PRO 2000	PRO 2000	PRO 2000	PRO 2000
safety gear P+Q [kg]	2400	2400	2400	2400	2400	2400
buffer model	EYL-1	EYL-1	EYL-1	EYL-1	EYL-1	EYL-1
buffer P+Q [kg]	2250	2250	2250	2250	2250	2250
OSG model	MOMENT 250 MR	MOMENT 250 MR	MOMENT 250 MR	MOMENT 250 MR	MOMENT 250 MR	MOMENT 250 MR
dia of OSG pulley [mm]	250	250	250	250	250	250
tripping speed [m/s]	1,4	1,4	1,4	1,4	1,4	1,4
tension pulley model	MOMENT 250 SPRING	MOMENT 250 SPRING	MOMENT 250 SPRING	MOMENT 250 SPRING	MOMENT 250 SPRING	MOMENT 250 SPRING
dia of tension pulley [mm]	230	230	230	230	230	230
dia of OSG rope [mm]	6	6	6	6	6	6
OSG rope composition	6*19 Seale	6*19 Seale	6*19 Seale	6*19 Seale	6*19 Seale	6*19 Seale
Tmin of OSG rope [N]	21300	21300	21300	21300	21300	21300

MODEL 4000

Technical Tables
1.6 m/s | Dimensions

capacity	320 kg	400 kg	450 kg	630 kg	800 kg	1000 kg
no of passengers	4	5	6	8	10	13
roping	1:1	1:1	1:1	1:1	1:1	1:1
total load, P+Q [kg]	960	1100	1225	1415	1650	2000
max. car area [m ²]	0,9	1,17	1,3	1,66	2	2,4
min. car area [m ²]	0,79	0,98	1,17	1,45	1,73	2,15
shaft width [mm]	1450	1500	1500	1600	1850	1900
shaft depth [mm]	1550	1550	1550	1800	1800	2000
minimum pit depth (mm) EN81-20	1150	1150	1150	1150	1150	1150
minimum headroom (mm) EN81-20	3555	3555	3555	3555	3555	3555
minimum pit depth (mm) EN81-21	970	970	970	970	970	970
minimum headroom (mm) EN81-21	3000	3000	3000	3000	3000	3000
car width [mm]	900	1000	1000	1100	1350	1400
car depth [mm]	1000	1100	1200	1400	1400	1600
car internal height [mm]	2115	2115	2115	2115	2115	2115
door type	2P side opening	2P side opening	2P side opening	2P side opening	2P side opening	2P side opening
door width [mm]	800	800	800	900	900	900
door height [mm]	2000	2000	2000	2000	2000	2000
door total length [mm]	1250	1250	1250	1400	1400	1400
car frame DBG [mm]	990	1090	1090	1190	1440	1490
brace rods						

MODEL 4000

Technical Tables
1.6 m/s

Motor & Inverter

capacity	320 kg	400 kg	450 kg	630 kg	800 kg	1000 kg
motor model	AKD1	AKD1	AKD1	ADK2	AKD3	AKD3
motor power [kW]	3,1	3,9	4,7	6,2	7,8	9,8
nominal current [A] for 380V	8,9	11,1	13,3	17,5	22,2	27,7
inverter model for 380V	14 A	14 A	14 A	26 A	26 A	35 A
motor static load [kg]	3500	3500	3500	3500	4500	4500
traction sheave [mm]	400	400	400	400	400	400
no of ropes	4	5	5	6	6	8
dia of ropes [mm]	10	10	10	10	10	10
rope composition	8*19 Warrington	8*19 Warrington	8*19 Warrington	8*19 Warrington	8*19 Warrington	8*19 Warrington
min. breaking load of ropes [N]	67700	67700	67700	67700	67700	67700
rope unit weight [kg/m]	0,423	0,423	0,423	0,423	0,423	0,423

Safety Components

capacity	320 kg	400 kg	450 kg	630 kg	800 kg	1000 kg
safety gear model	PRO 2000	PRO 2000	PRO 2000	PRO 2000	PRO 2000	PRO 2000
safety gear P+Q [kg]	2400	2400	2400	2400	2400	2400
buffer model	EYL-1	EYL-1	EYL-1	EYL-1	EYL-1	EYL-1
buffer P+Q [kg]	2250	2250	2250	2250	2250	2250
OSG model	MOMENT 250 MR	MOMENT 250 MR	MOMENT 250 MR	MOMENT 250 MR	MOMENT 250 MR	MOMENT 250 MR
dia of OSG pulley [mm]	250	250	250	250	250	250
tripping speed [m/s]	2,24	2,24	2,24	2,24	2,24	2,24
tension pulley model	MOMENT 250 SPRING	MOMENT 250 SPRING	MOMENT 250 SPRING	MOMENT 250 SPRING	MOMENT 250 SPRING	MOMENT 250 SPRING
dia of tension pulley [mm]	230	230	230	230	230	230
dia of OSG rope [mm]	6	6	6	6	6	6
OSG rope composition	6*19 Seale	6*19 Seale	6*19 Seale	6*19 Seale	6*19 Seale	6*19 Seale
Tmin of OSG rope [N]	21300	21300	21300	21300	21300	21300