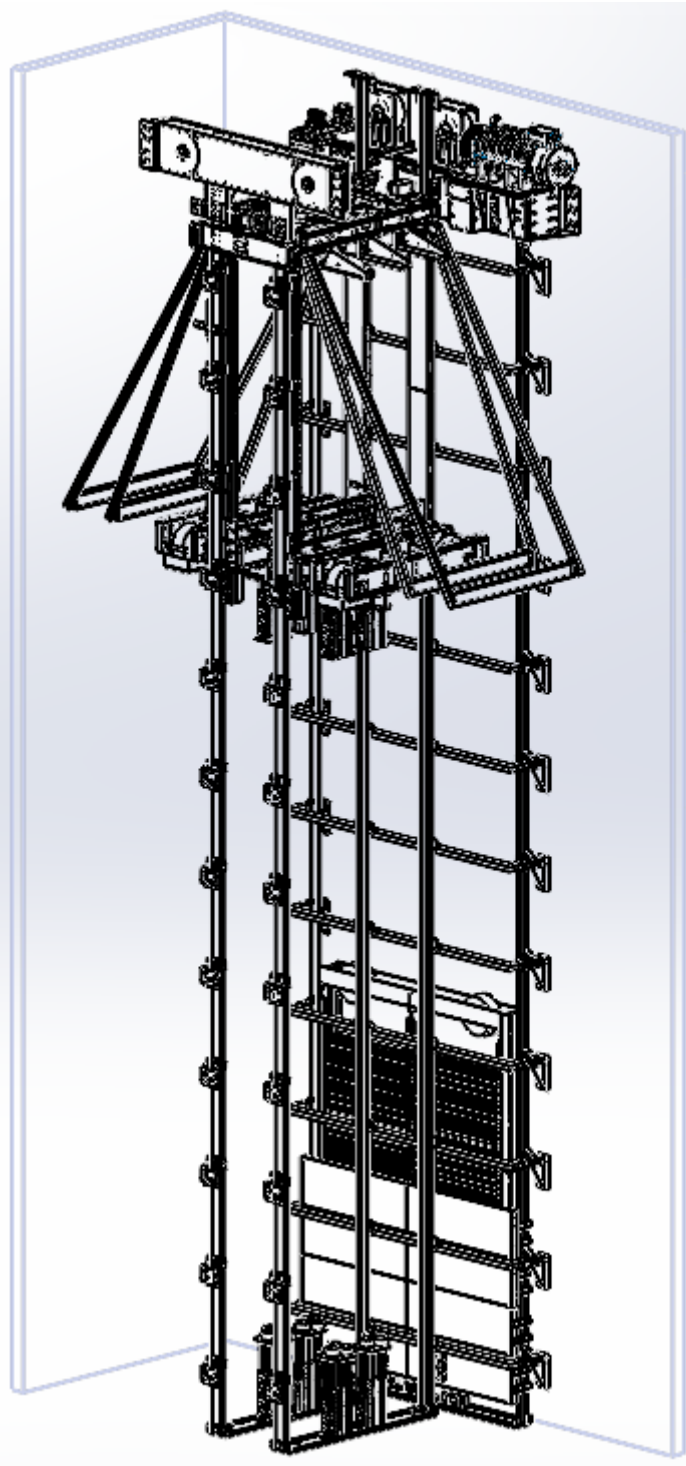




professor
elevator

Model 1040 4:1 MRL

MODEL 1040 4:1 MRL



Installation Manual



professor
elevator

Model 1040 4:1 MRL

Installation Manual



Contents

Cabin Frame	5
CWT Frame	21
Machine Frame	32
Pulley Table	52
Osg Table	55
Cabin	58
Buffer Table (Under Car)	68
Buffer Table (Under Cwt)	69
Buffer Table (Under Cwt and Under Car)	70
Cwt Separator	71
Brackets	73
Folding Pit Ladder	76
<u>Guide Rail Fishplate</u>	77
<u>Pit Box</u>	78



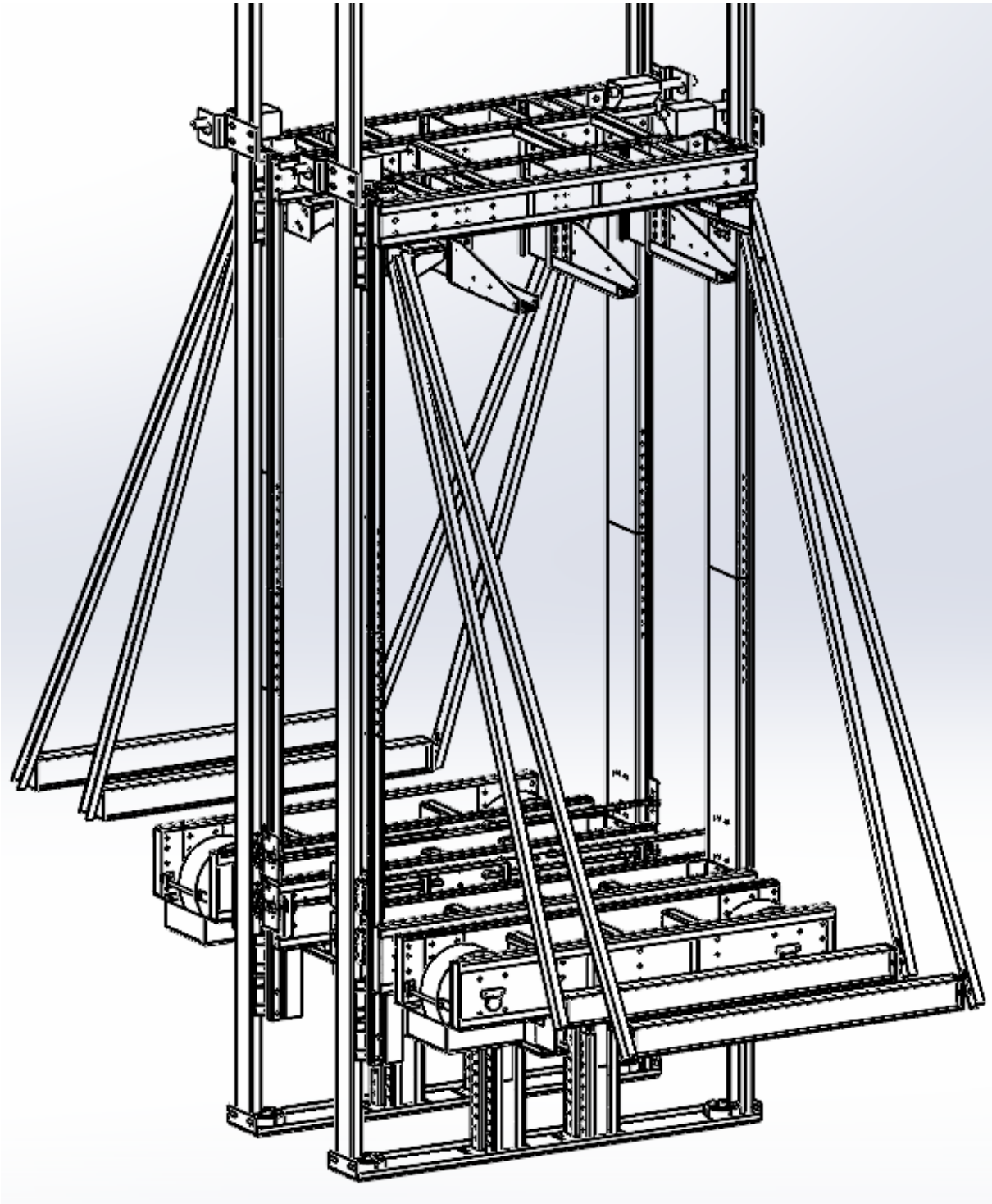
professor
elevator

Model 1040 4:1 MRL

Installation Manual

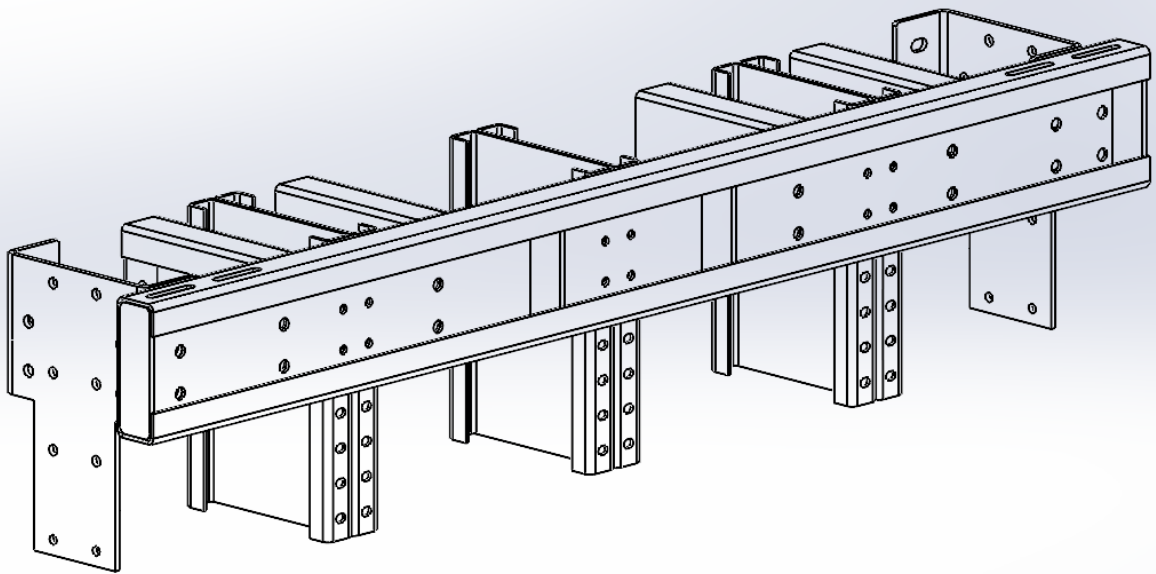
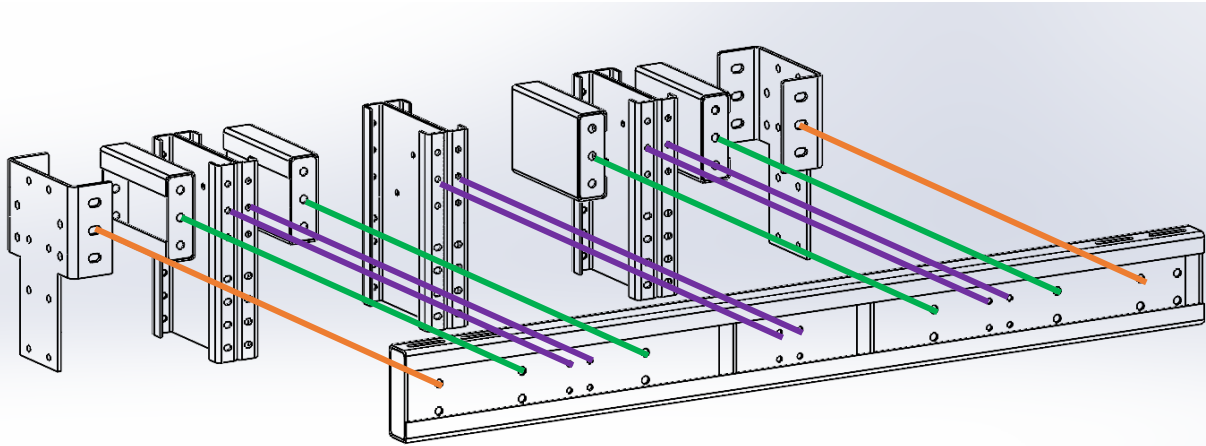


Cabin Frame



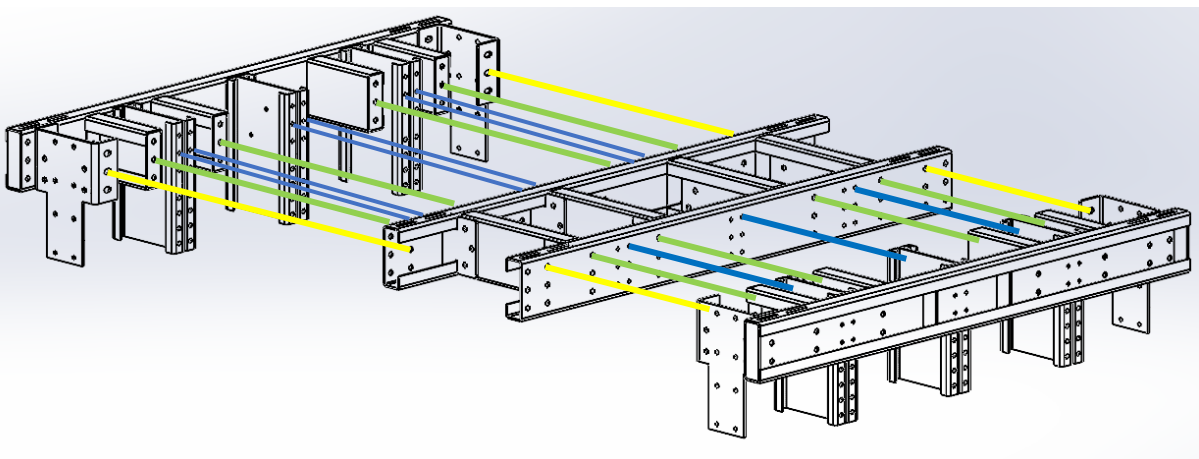
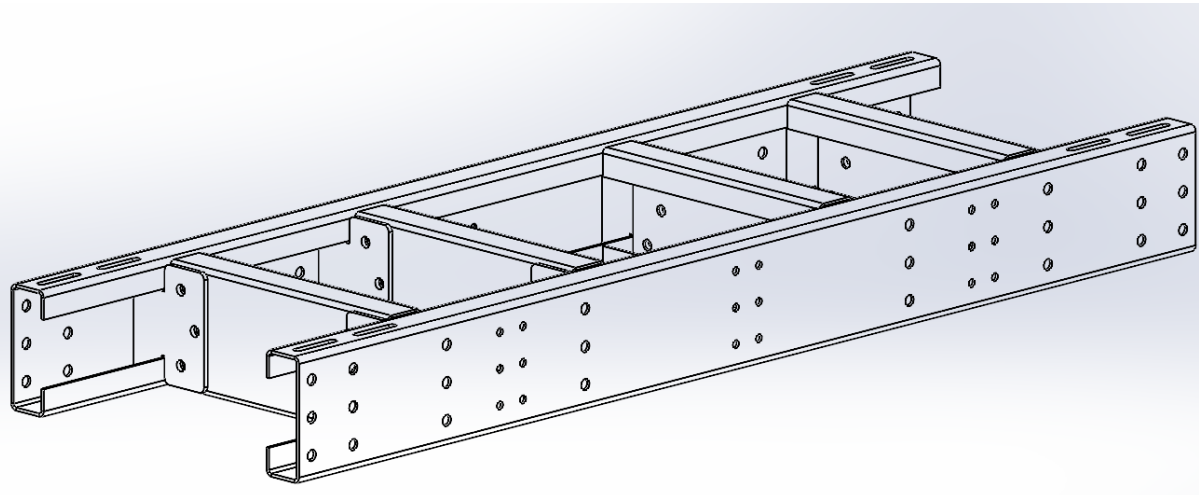
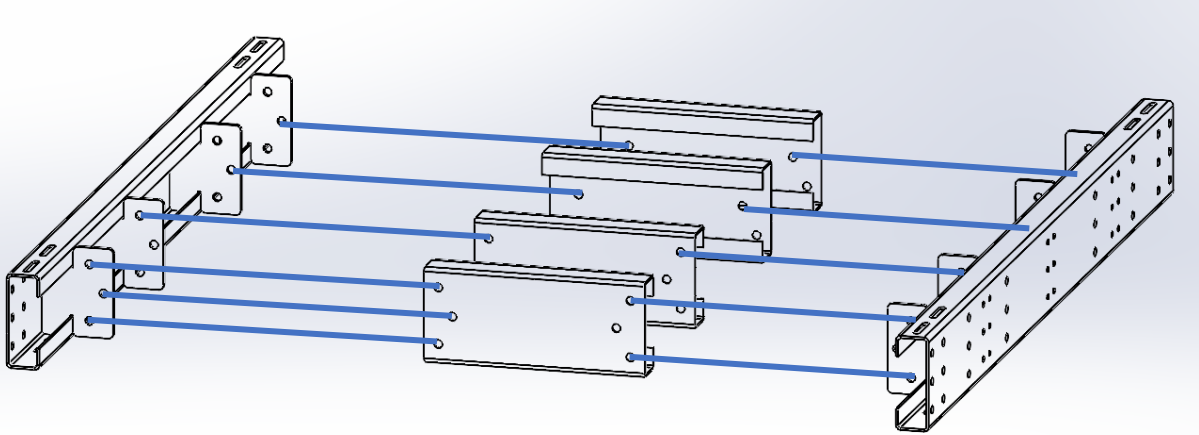


Cabin Frame



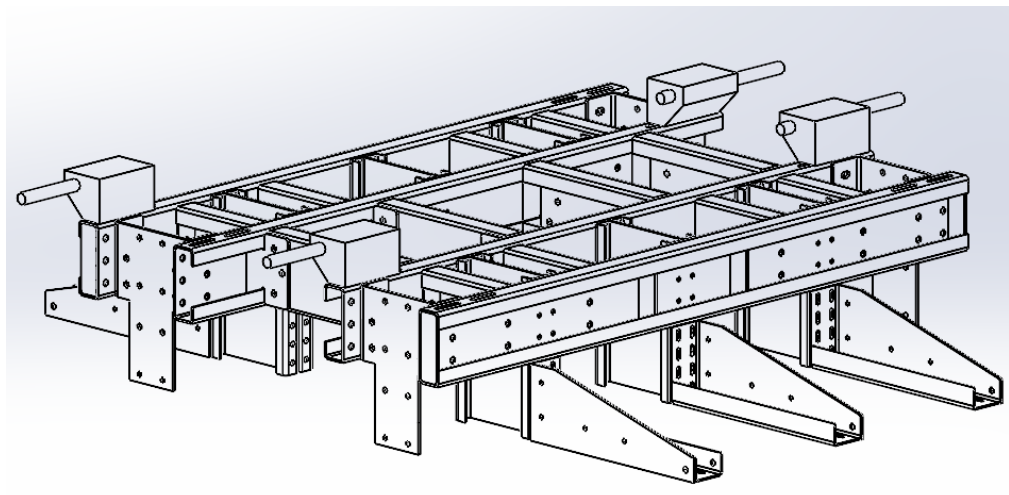
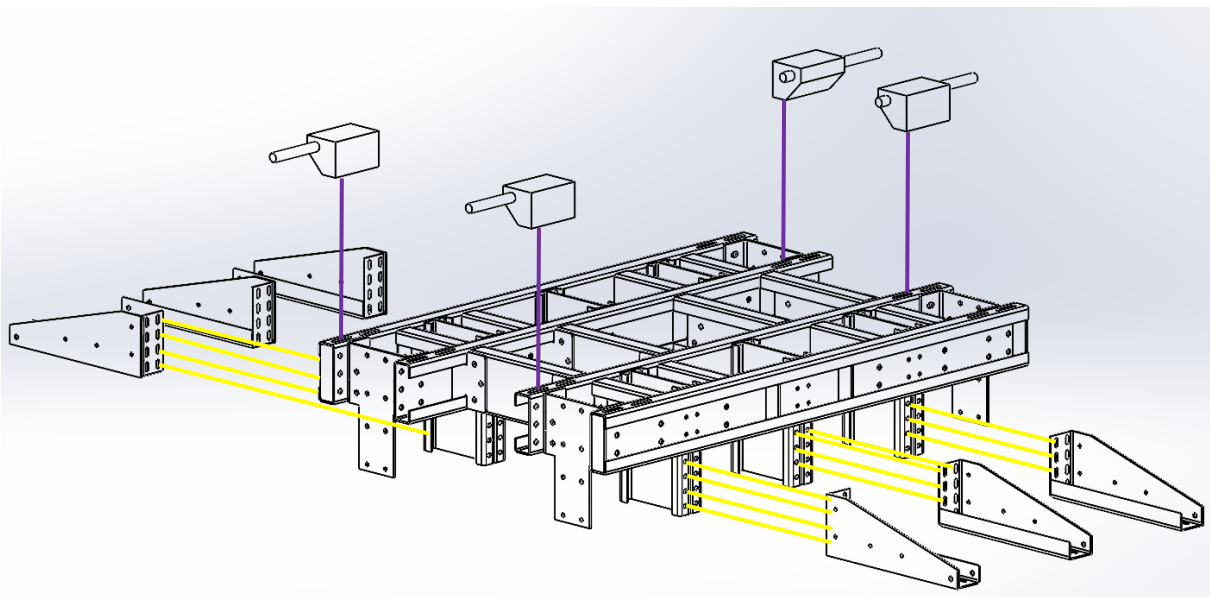
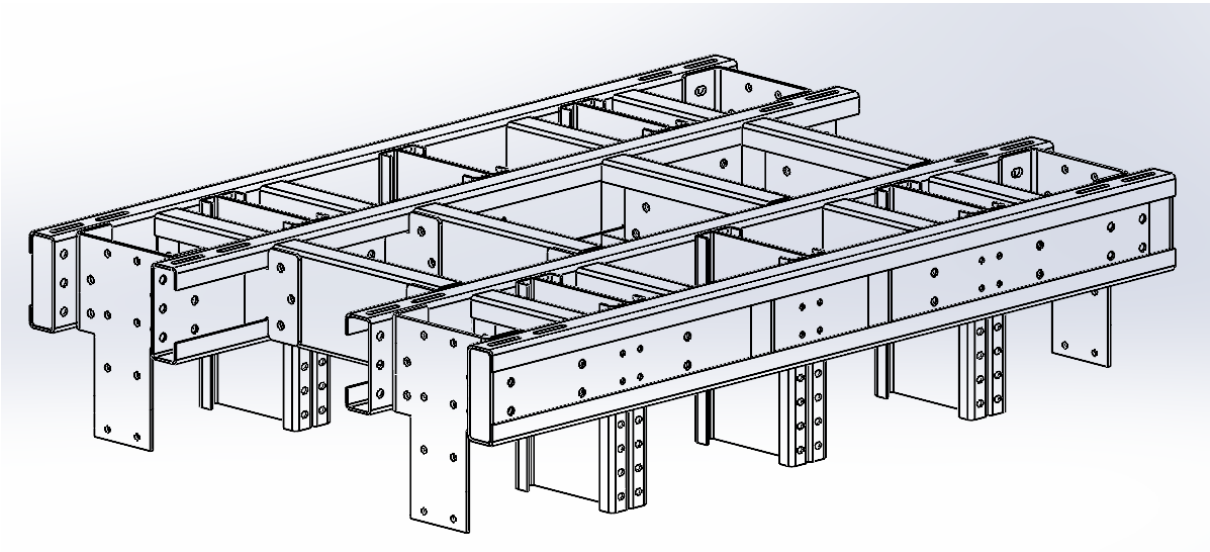


Cabin Frame





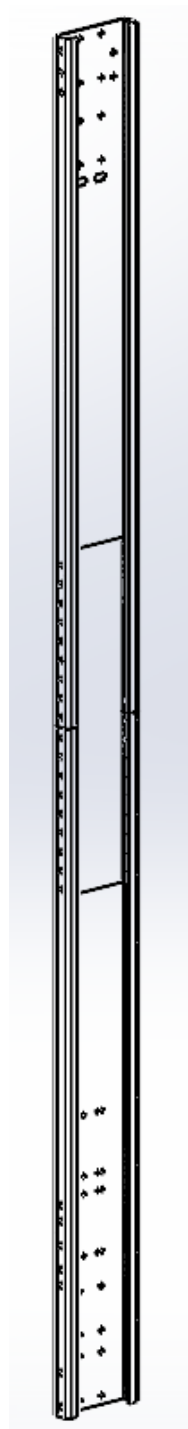
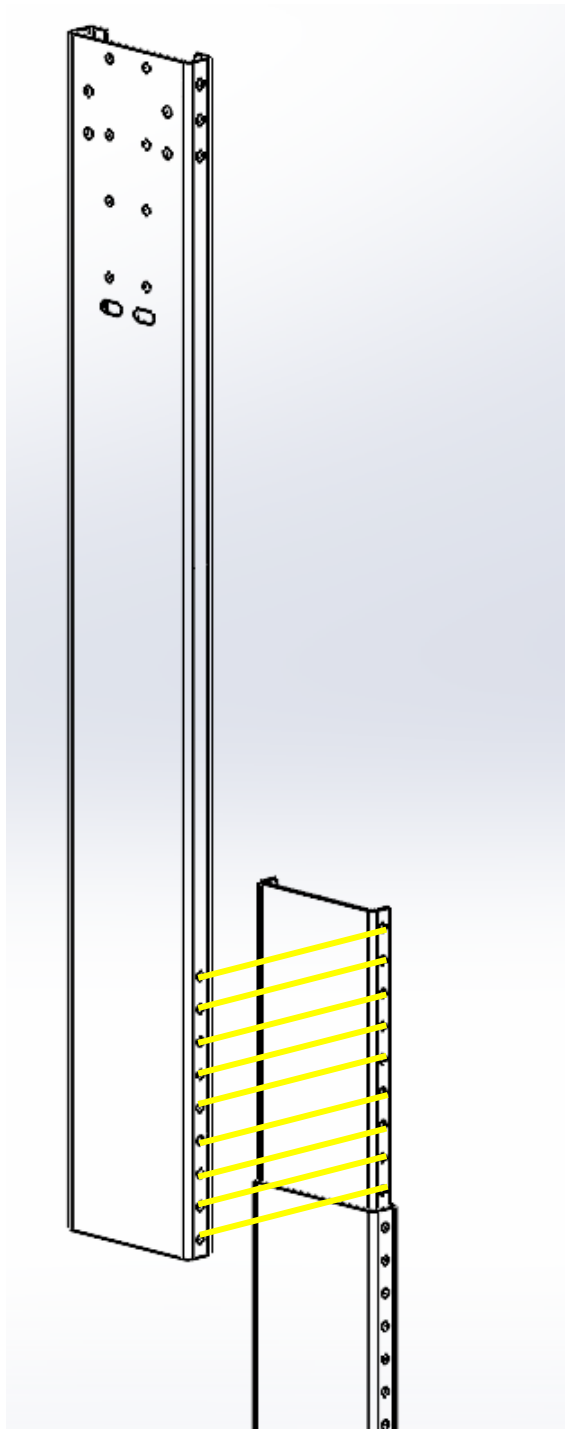
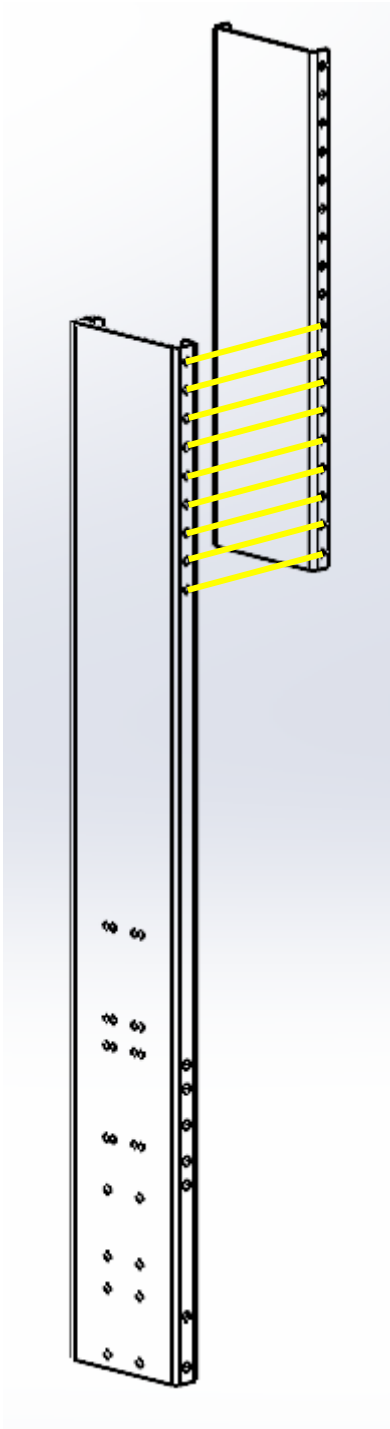
Cabin Frame



Installation Manual

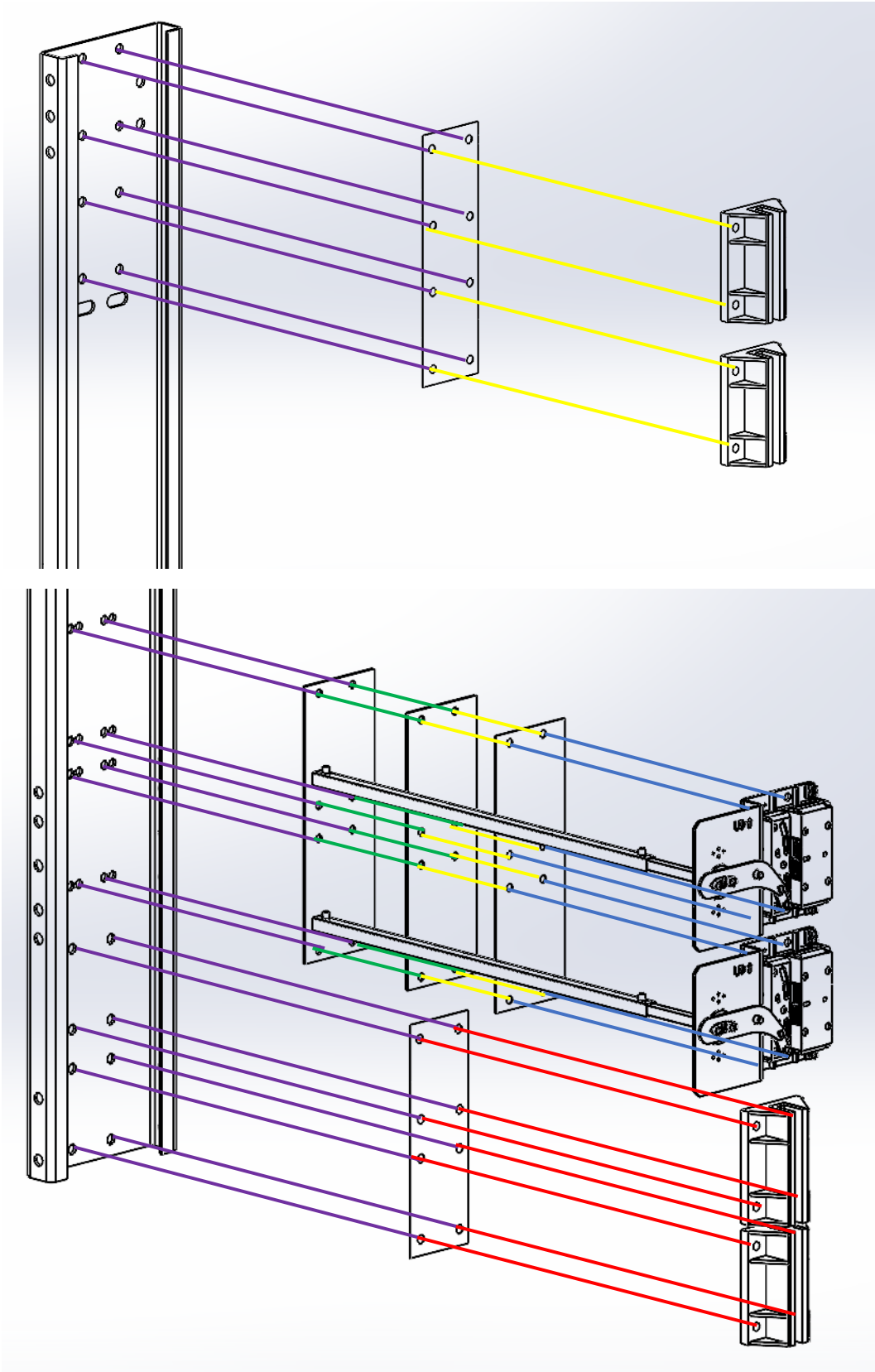


Cabin Frame



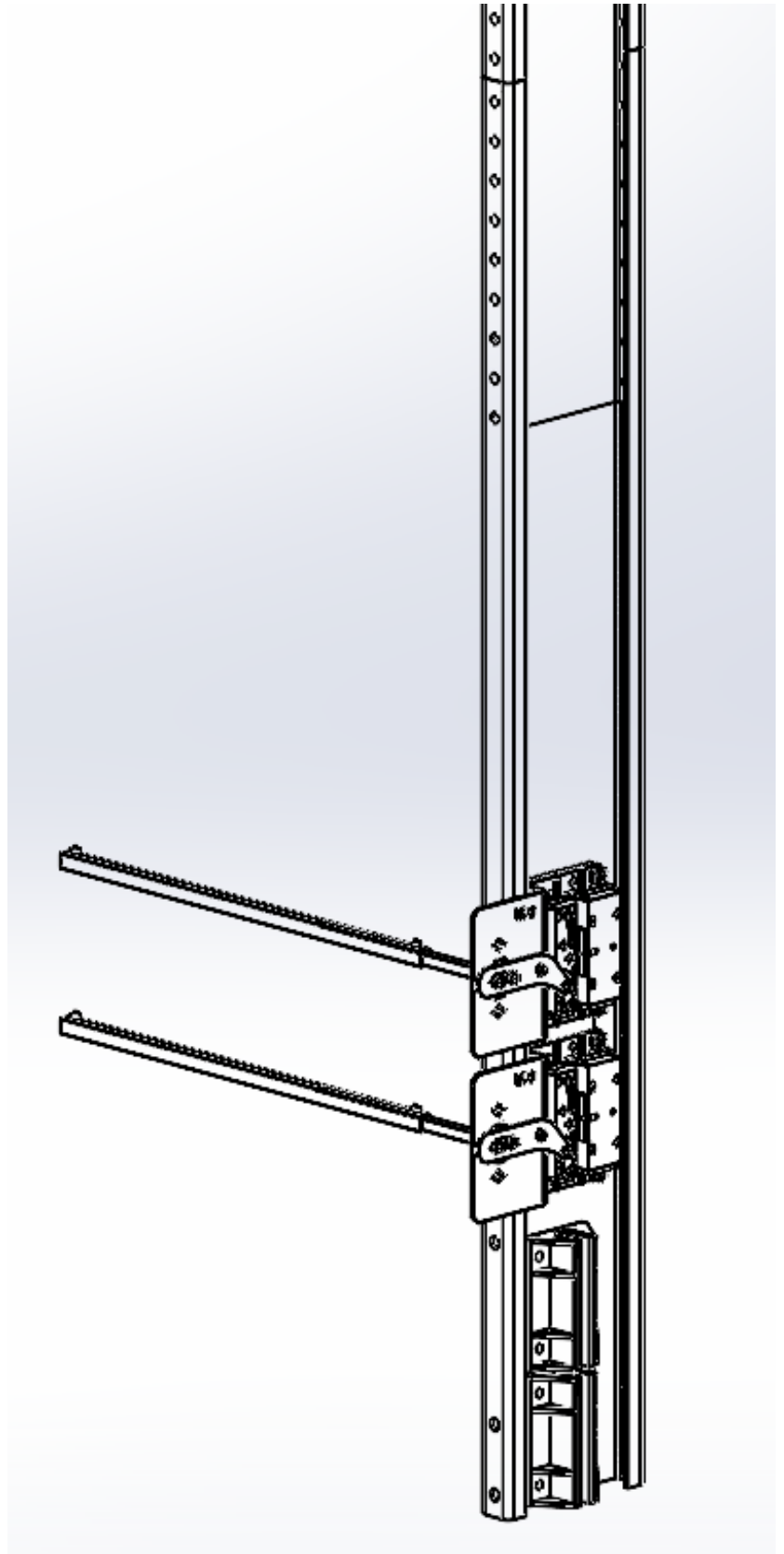
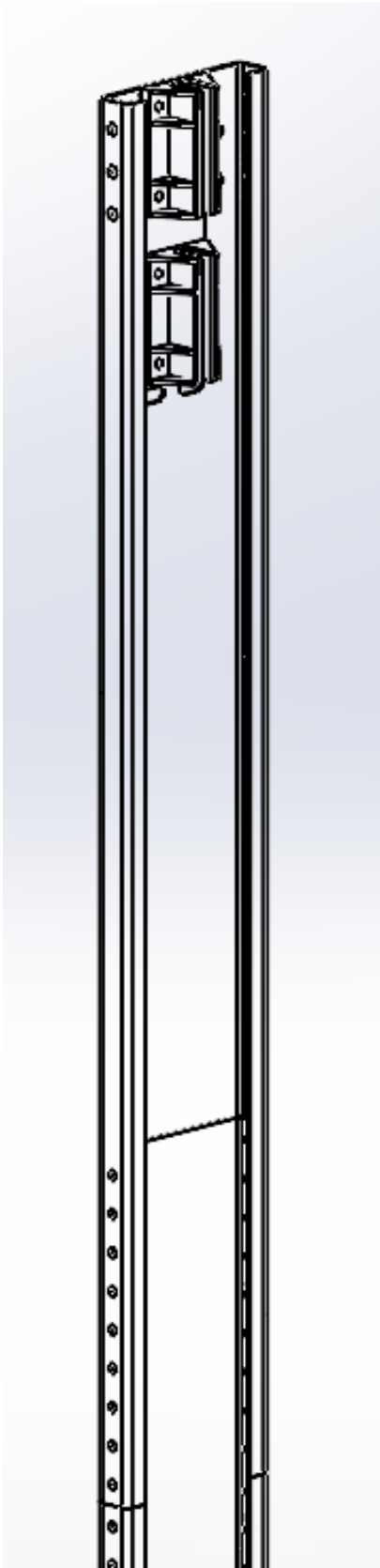


Cabin Frame



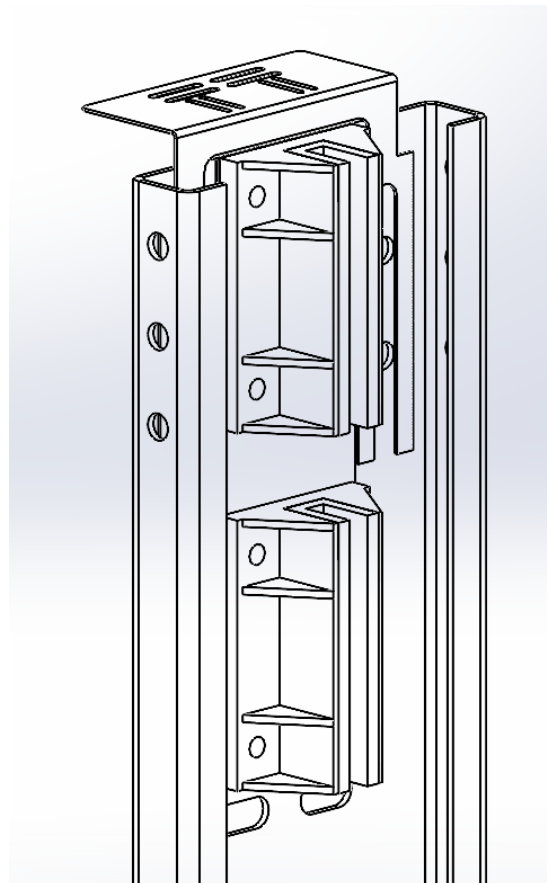
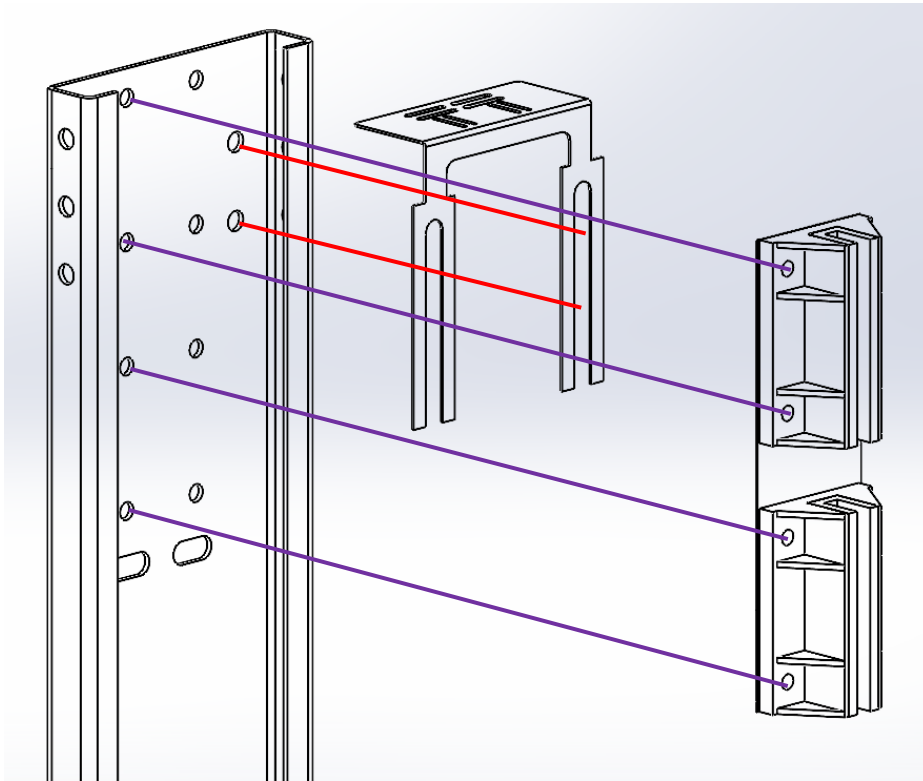


Cabin Frame



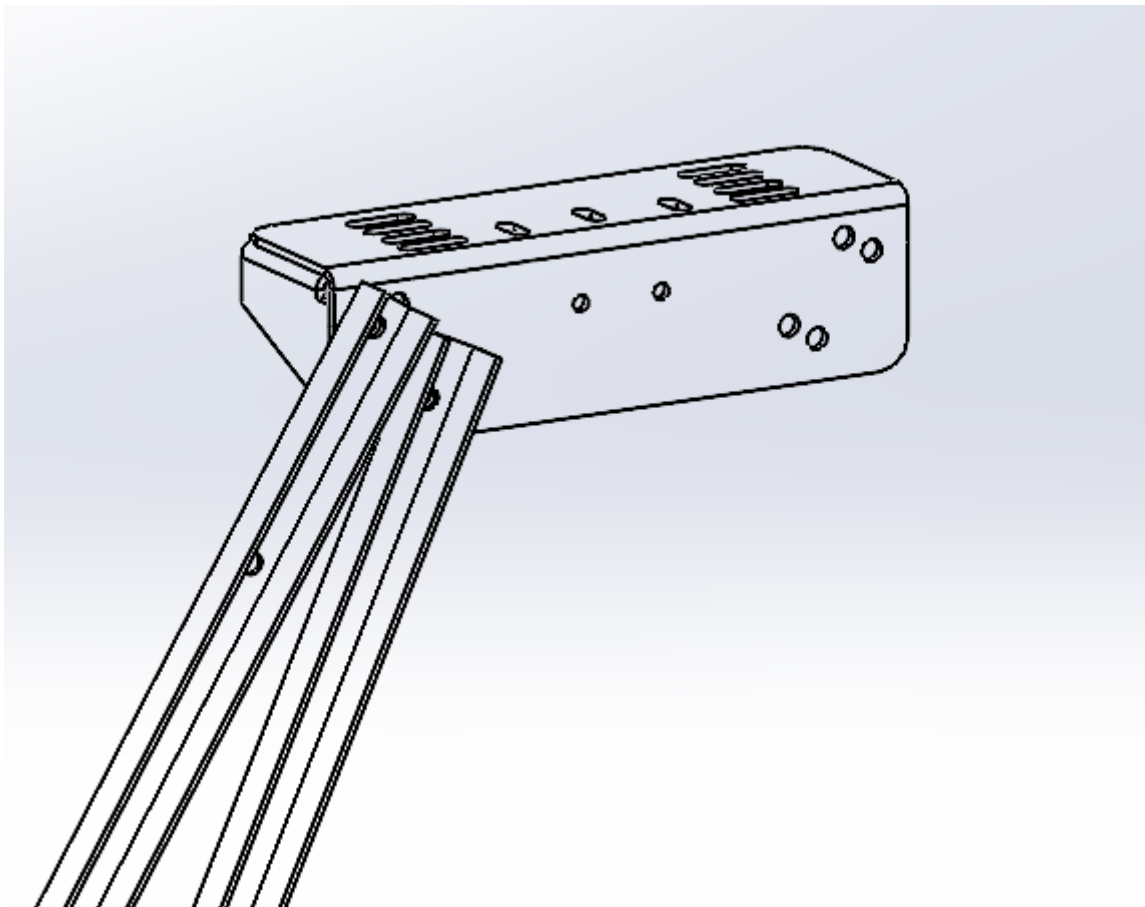
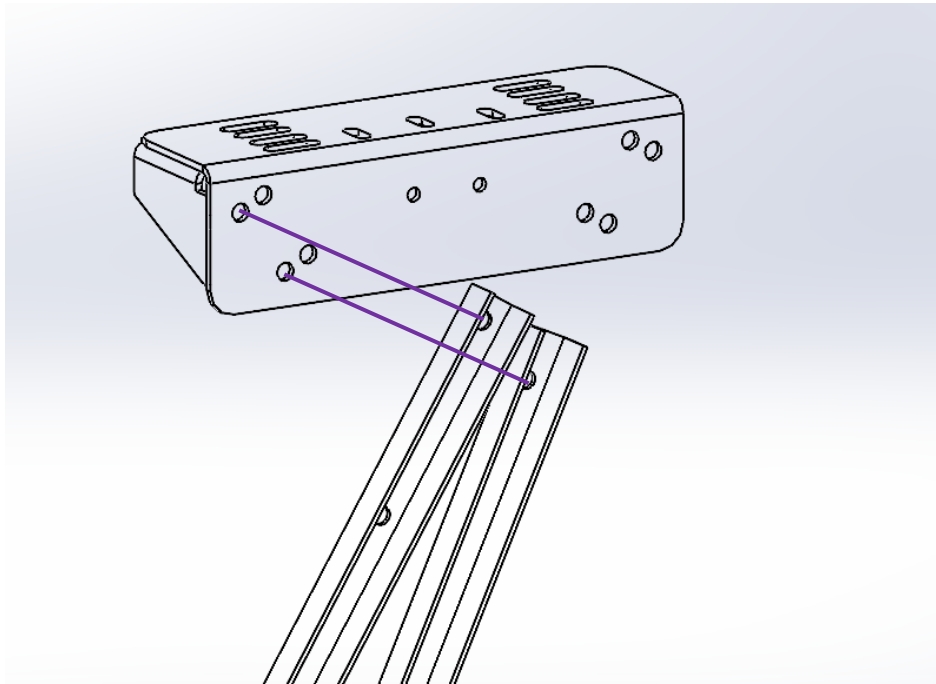


Cabin Frame



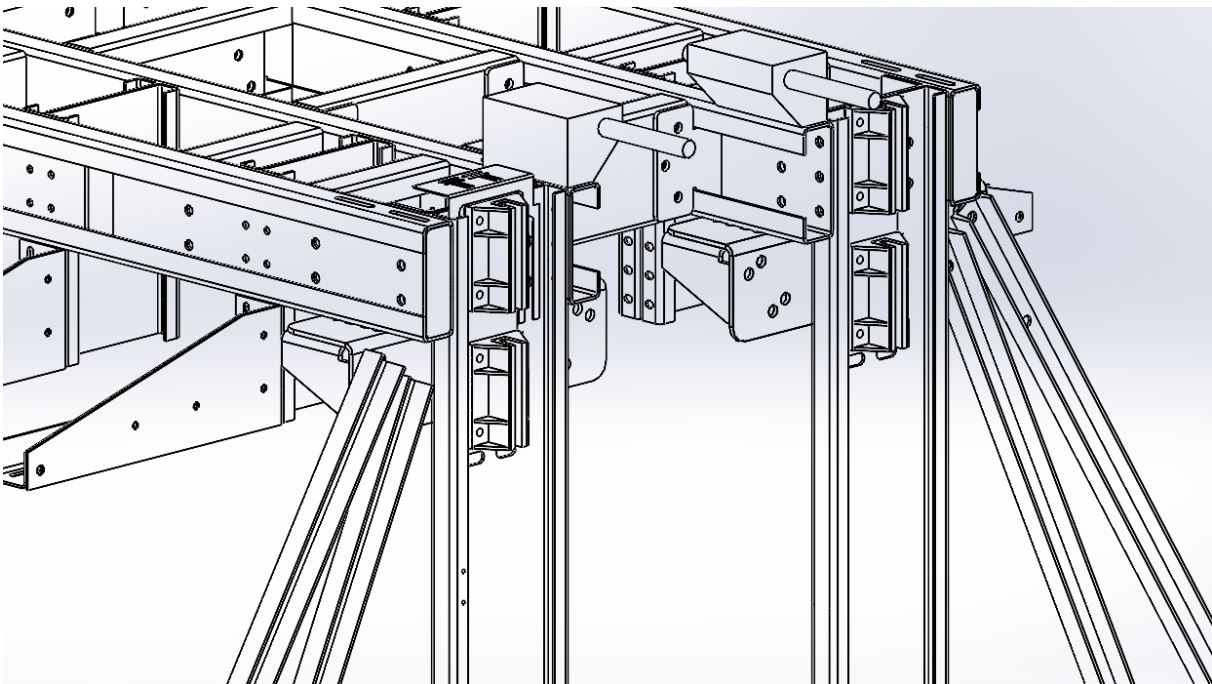
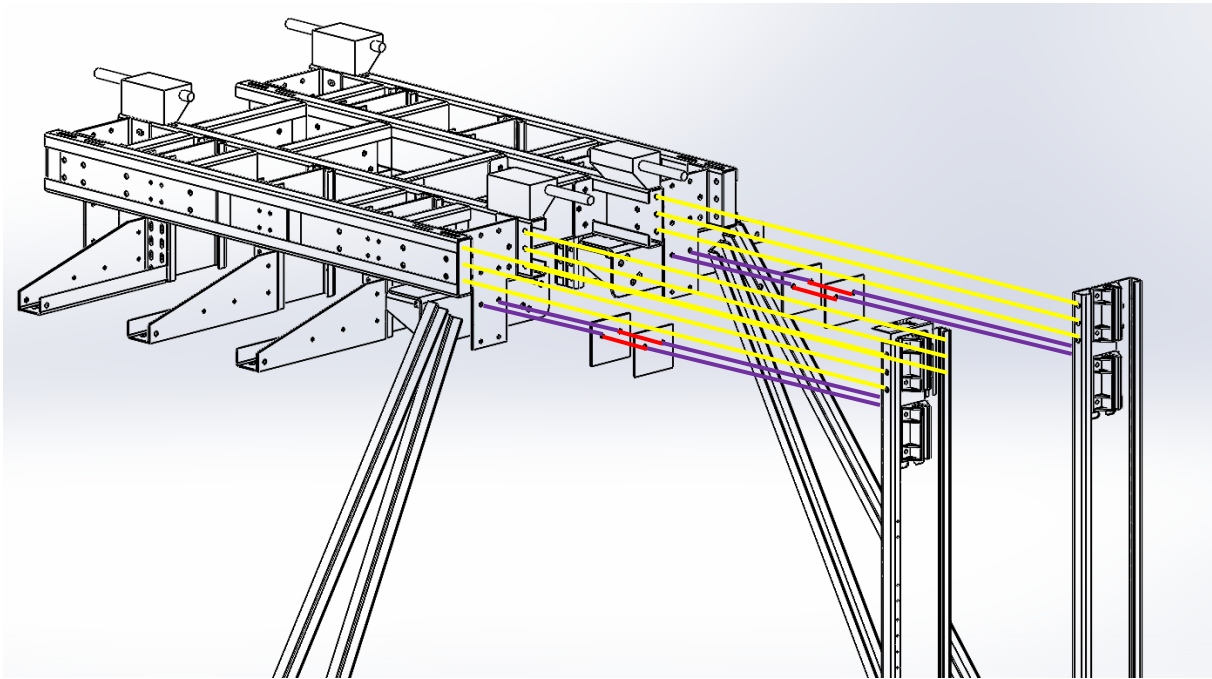


Cabin Frame



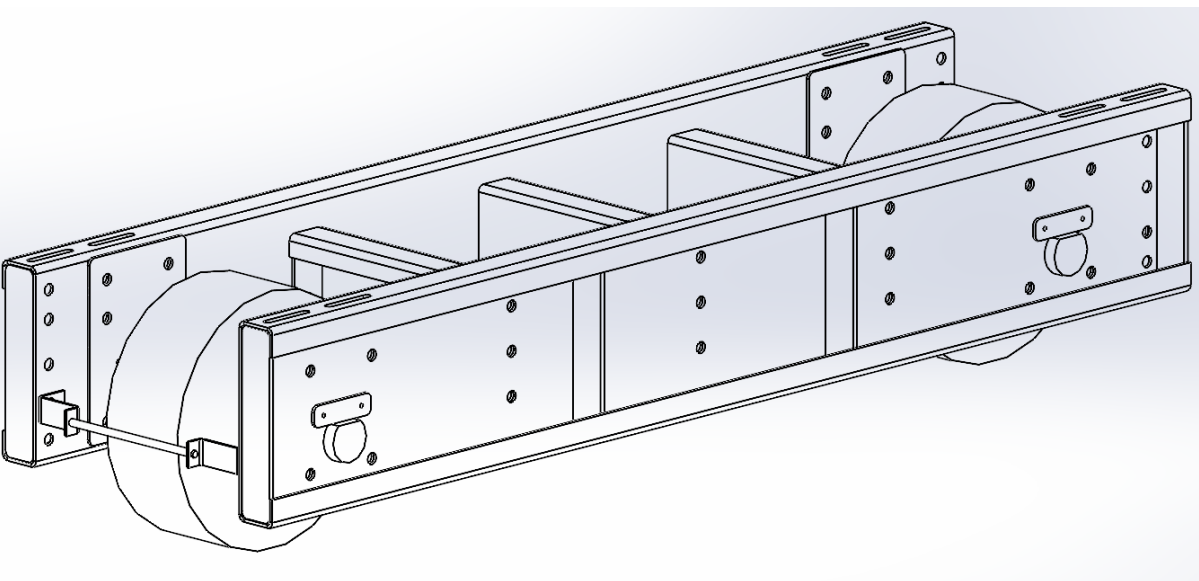
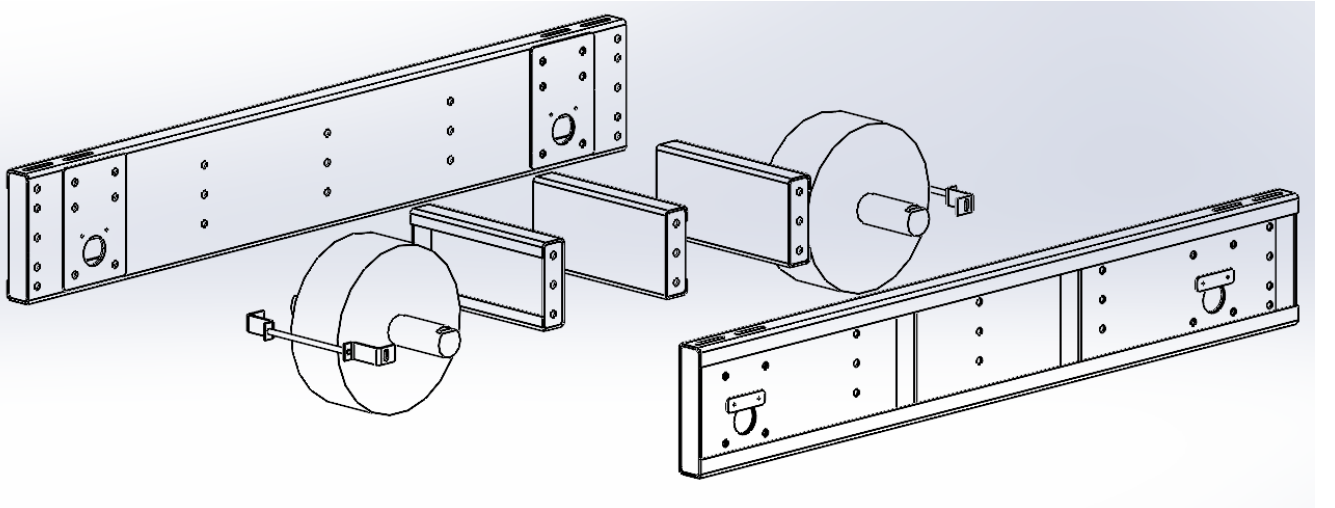
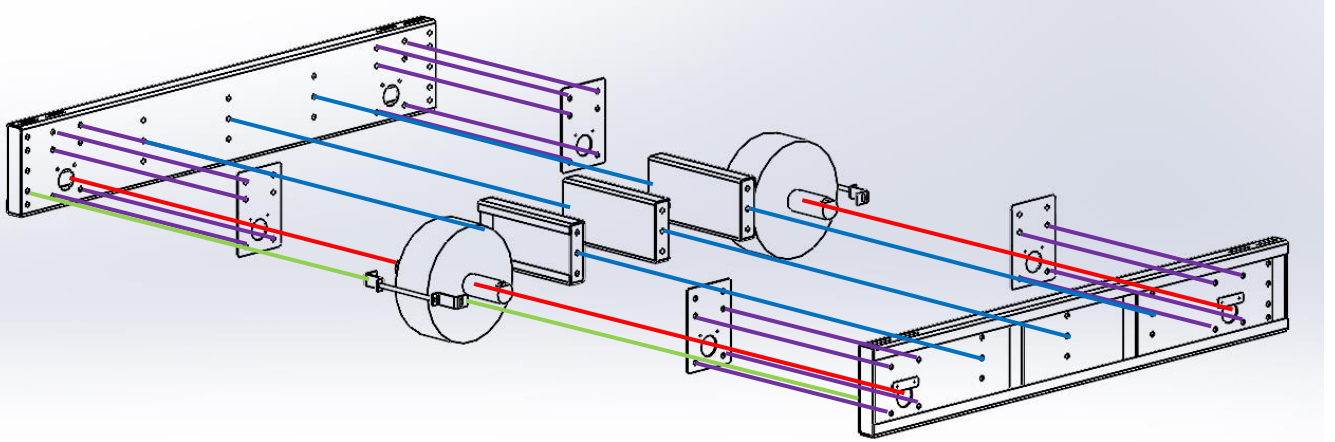


Cabin Frame



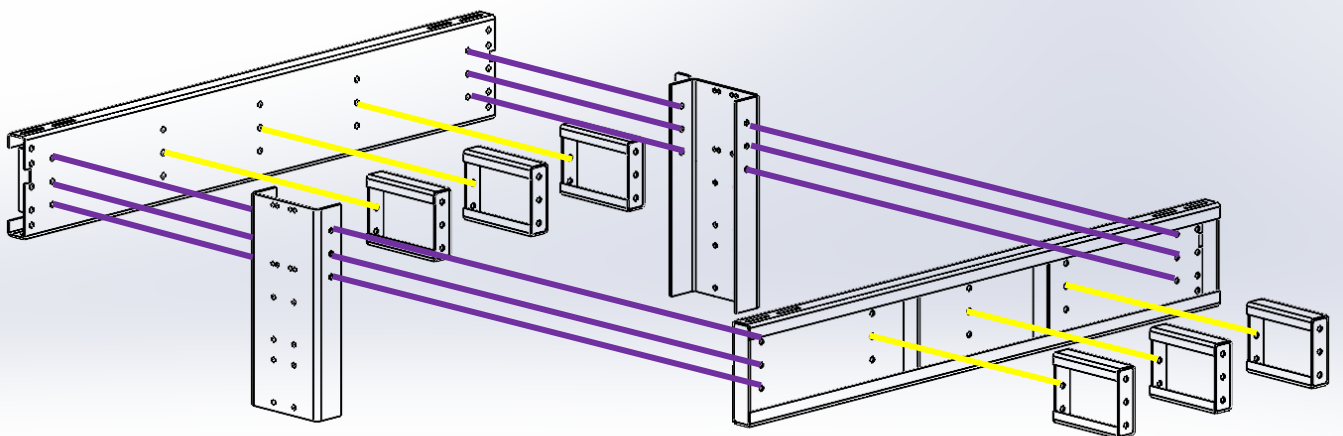
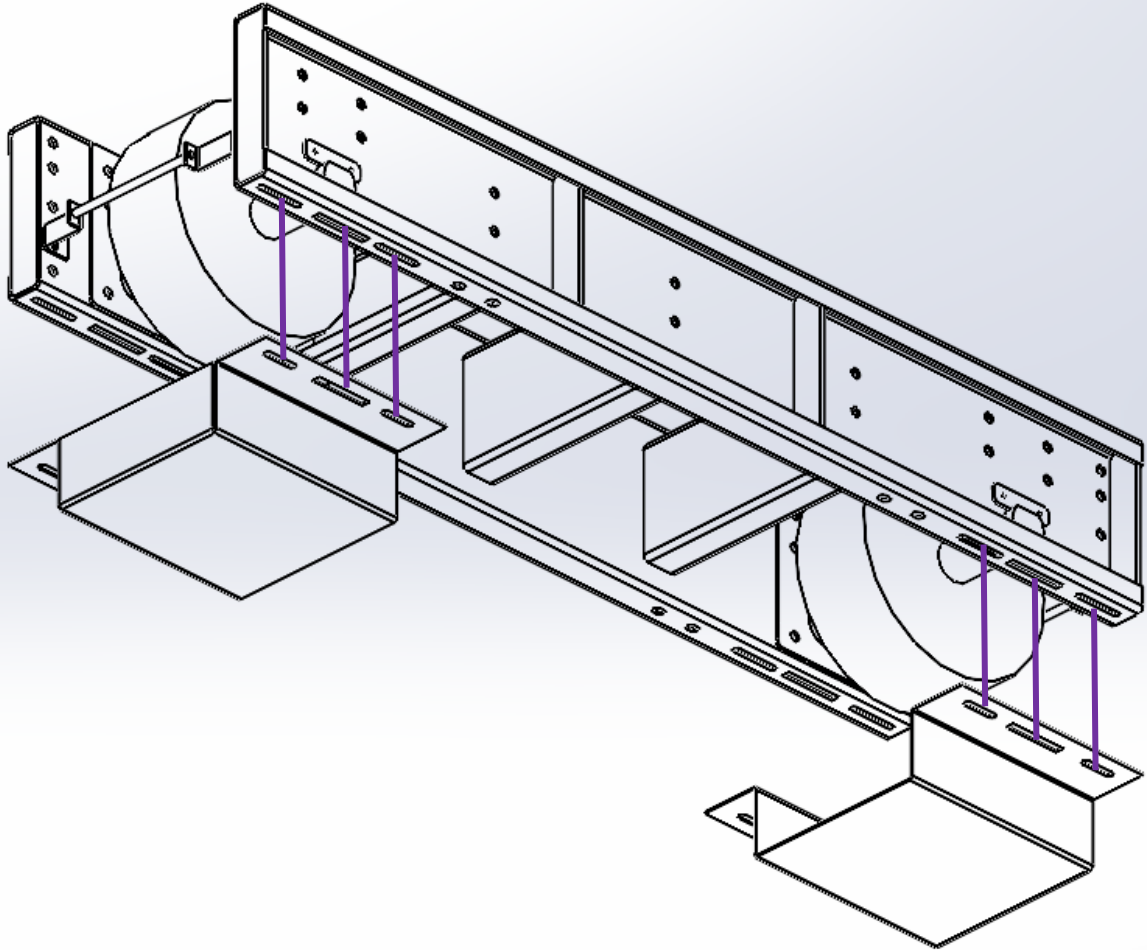


Cabin Frame



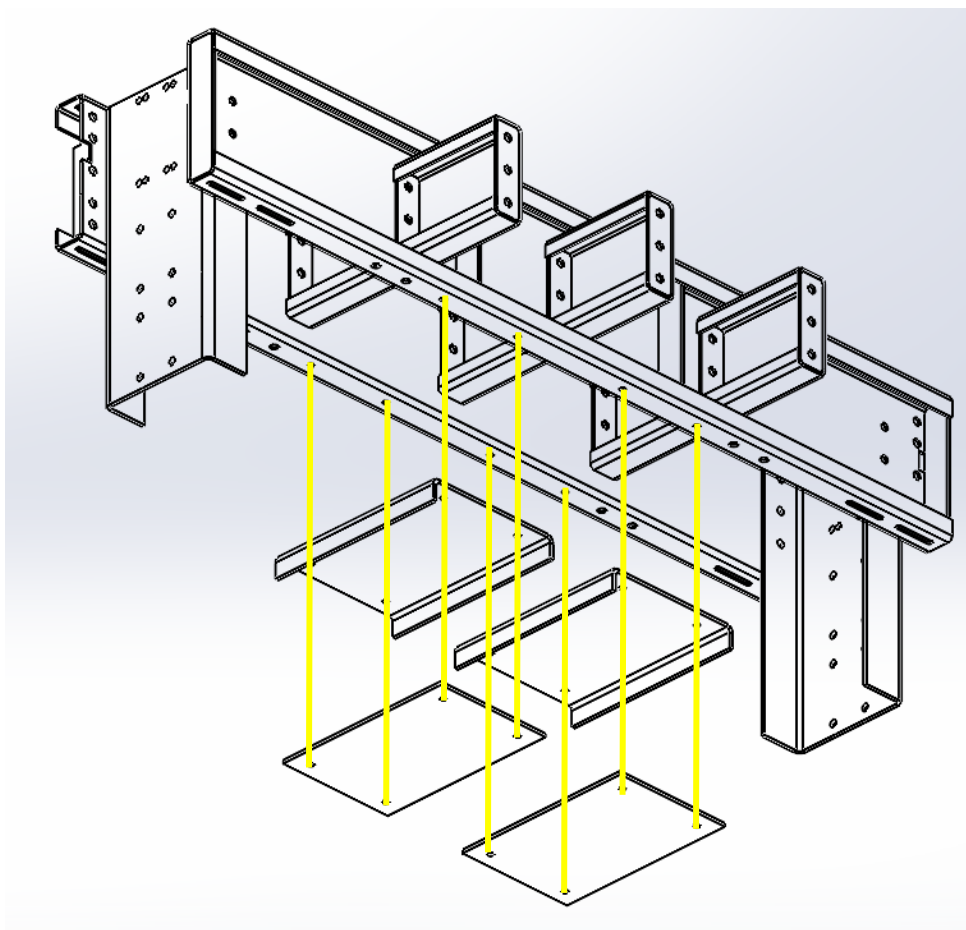
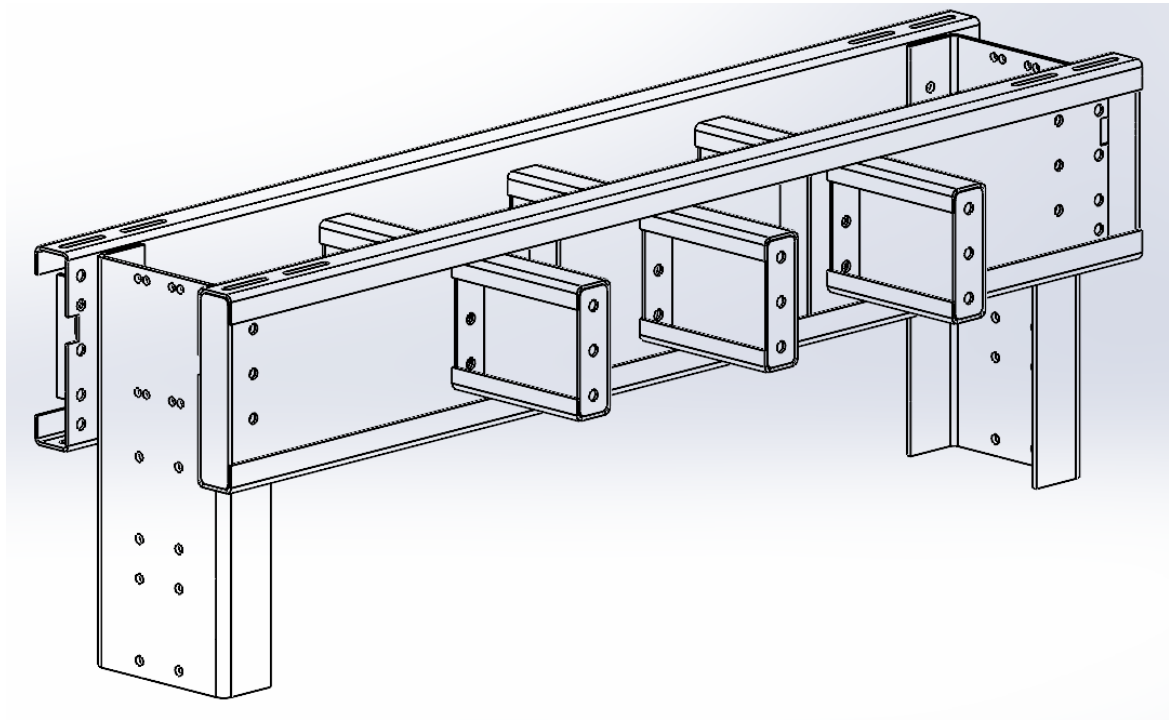


Cabin Frame



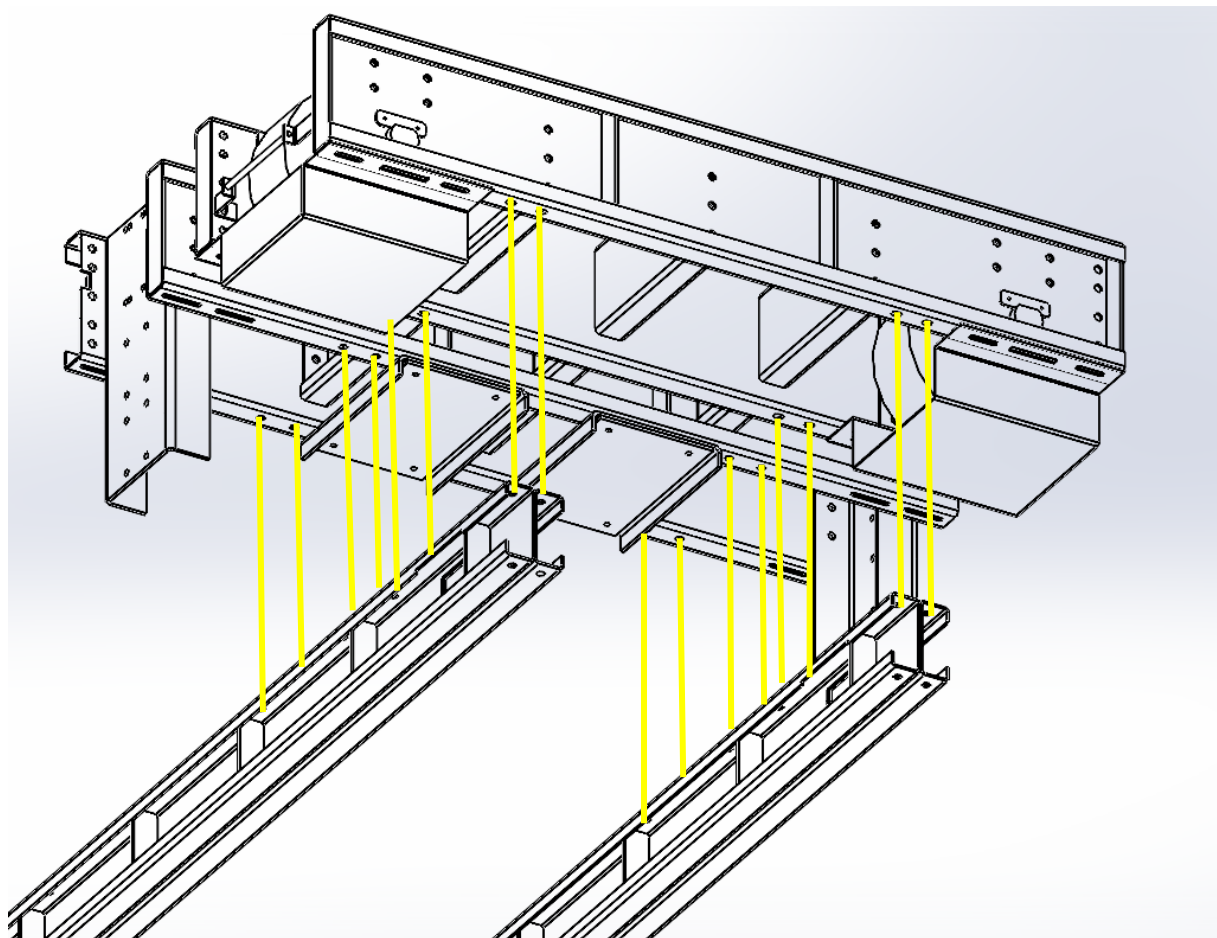
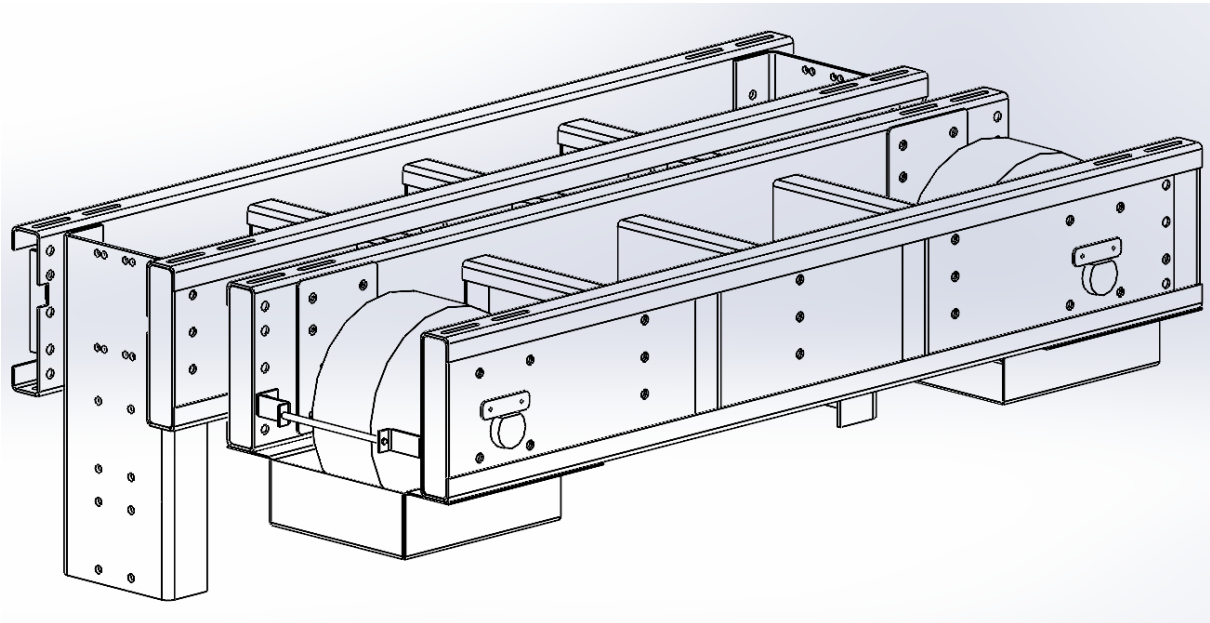


Cabin Frame





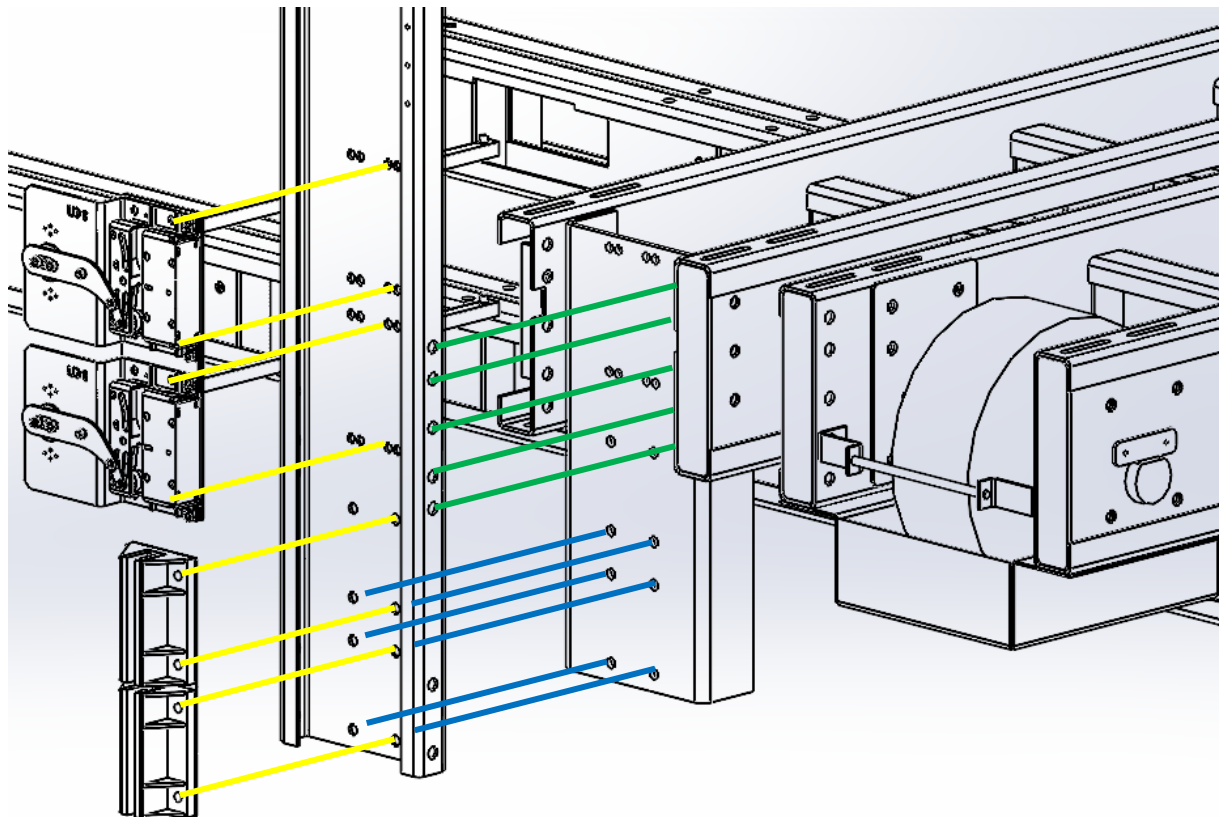
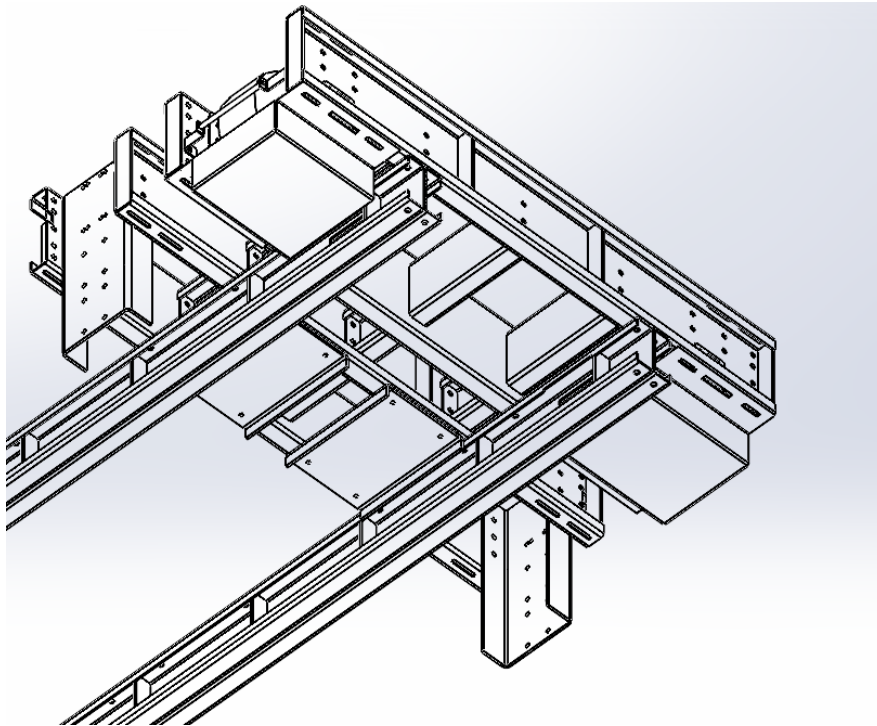
Cabin Frame



Installation Manual

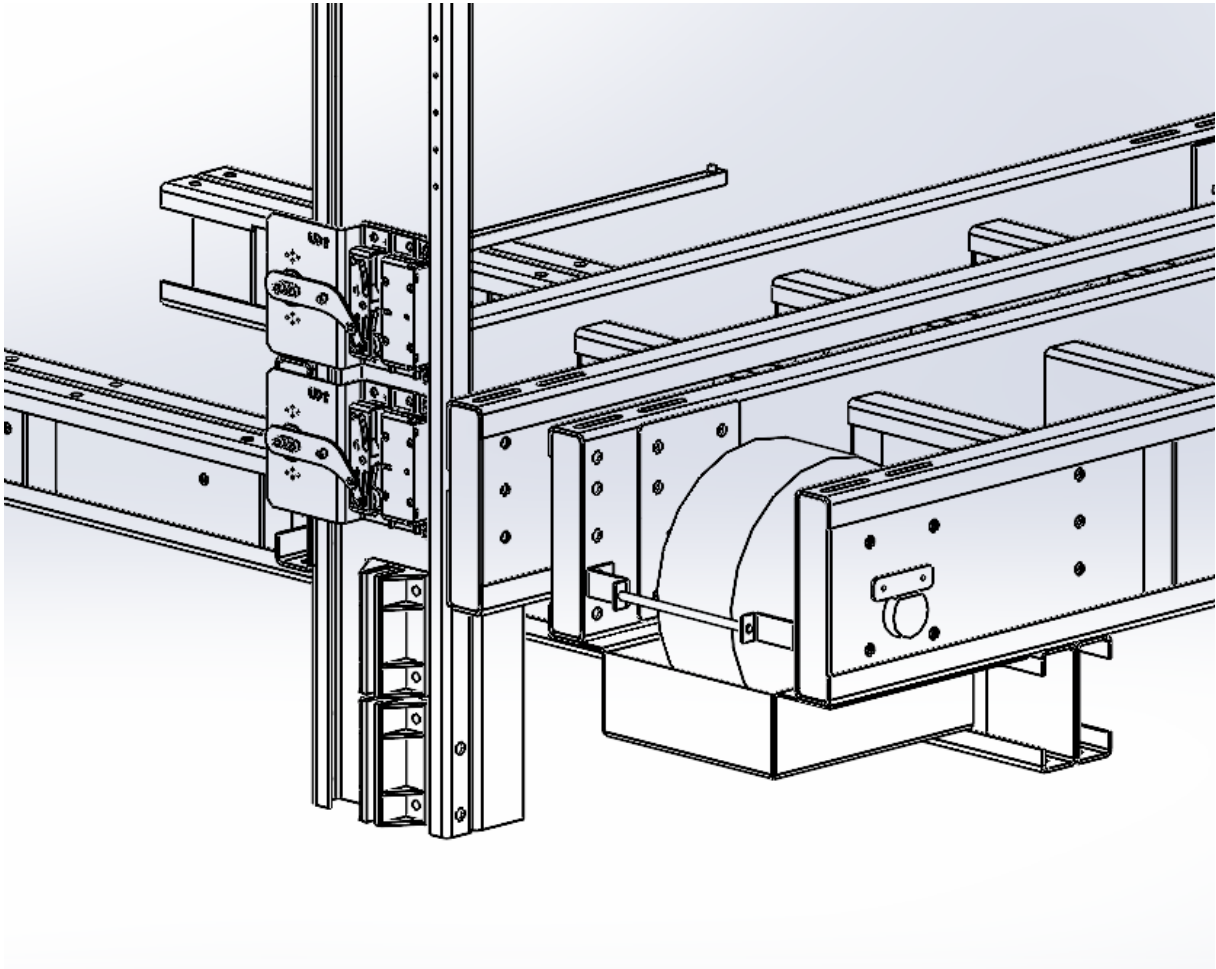


Cabin Frame



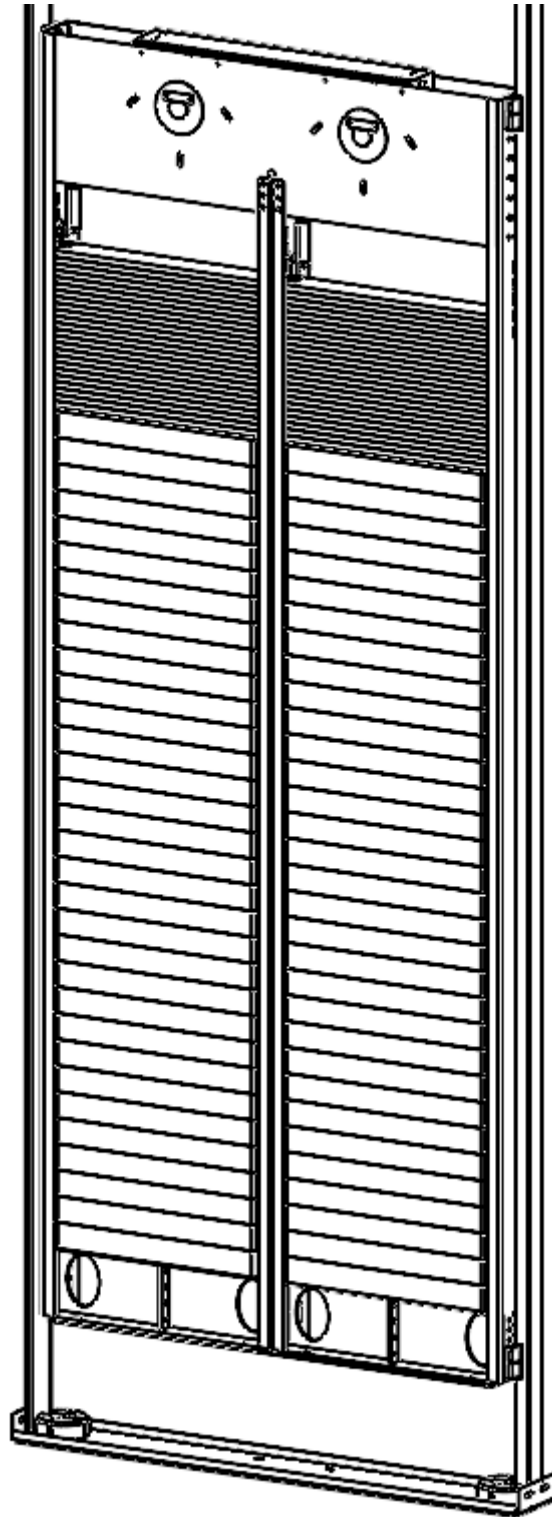


Cabin Frame





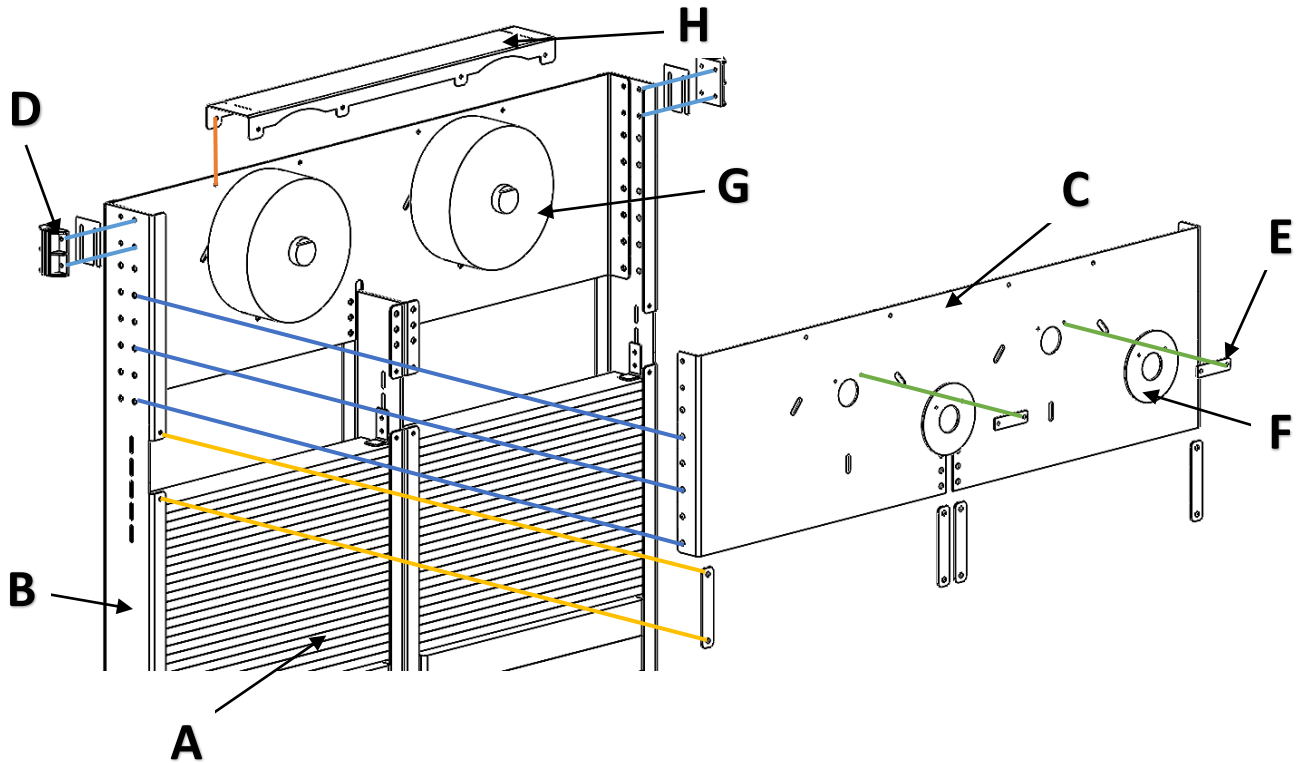
CWT Frame





CWT Frame – Double Row

Top CWT Frame

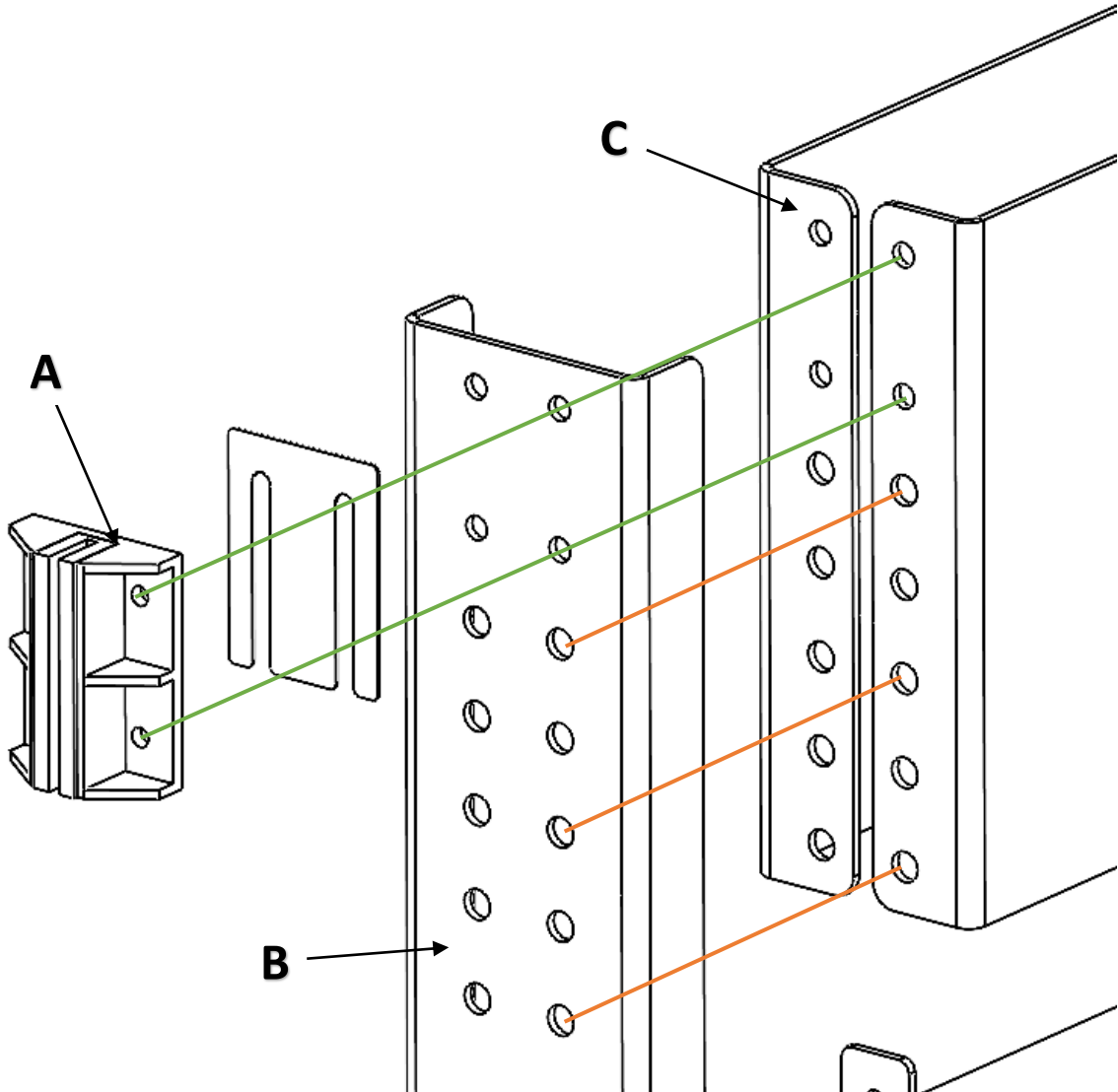


- A- Counterweight
- B- Guide frame
- C- Cover
- D- Guide shoes
- E- Reinforcing sheet
- F- Stiffener for pulley
- G- Pulley
- H- Top cover for pulley



CWT Frame – Double Row

Top CWT Frame – Guide Shoes

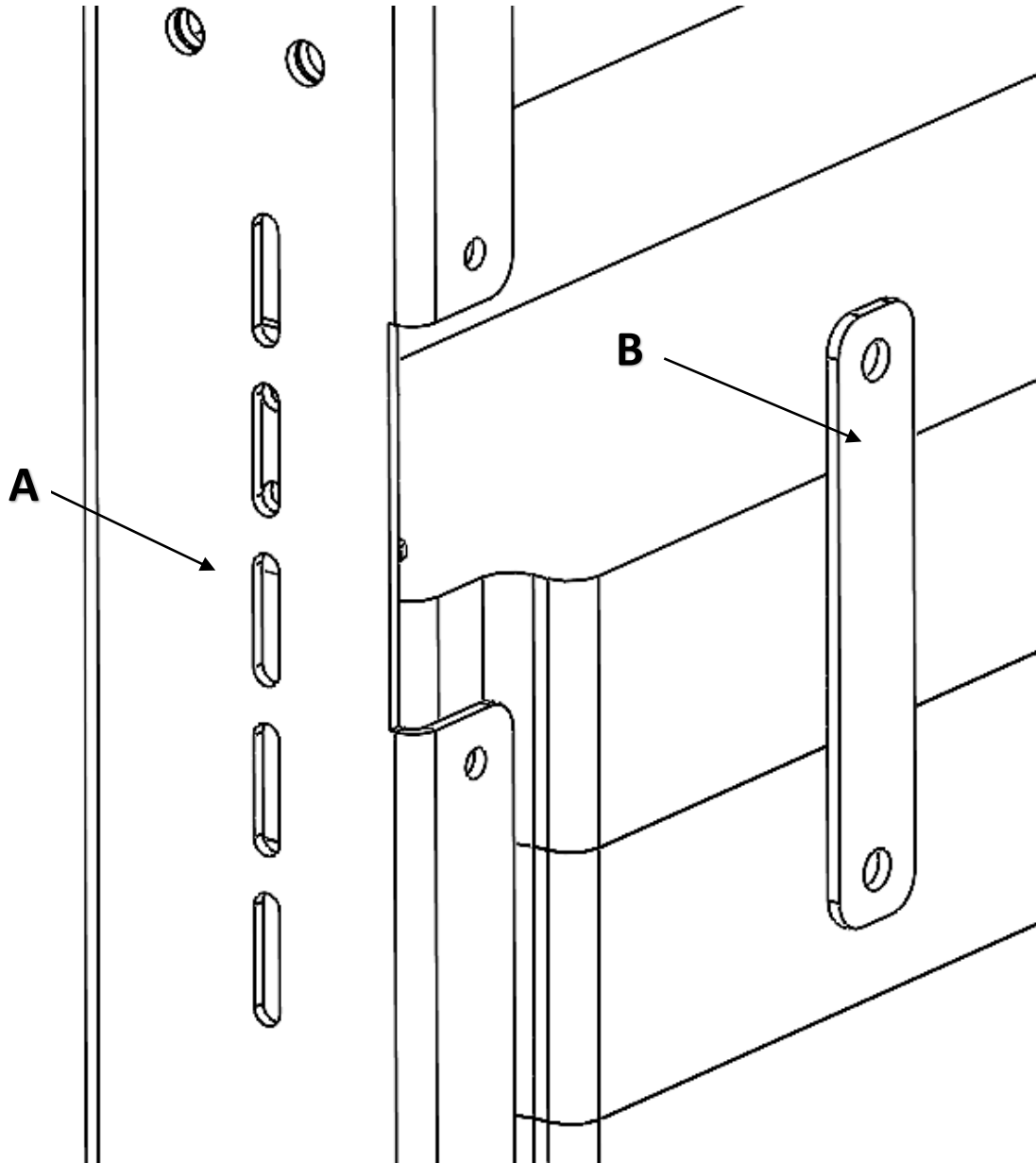


- A- Guide shoes
- B- Guide frame
- C- Cover



CWT Frame – Double Row

Top CWT Frame - Cover for counterweight

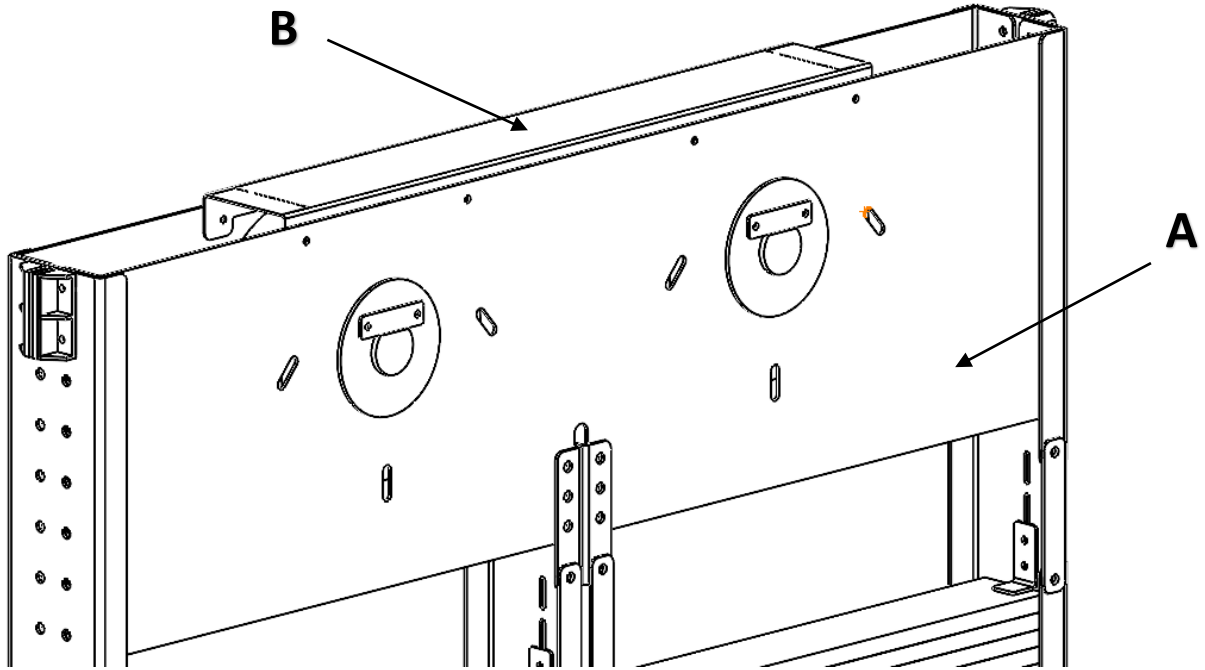


- A- Guide frame
- B- Cover for counterweight



CWT Frame – Double Row

Top CWT Frame - Top Cover for Pulley

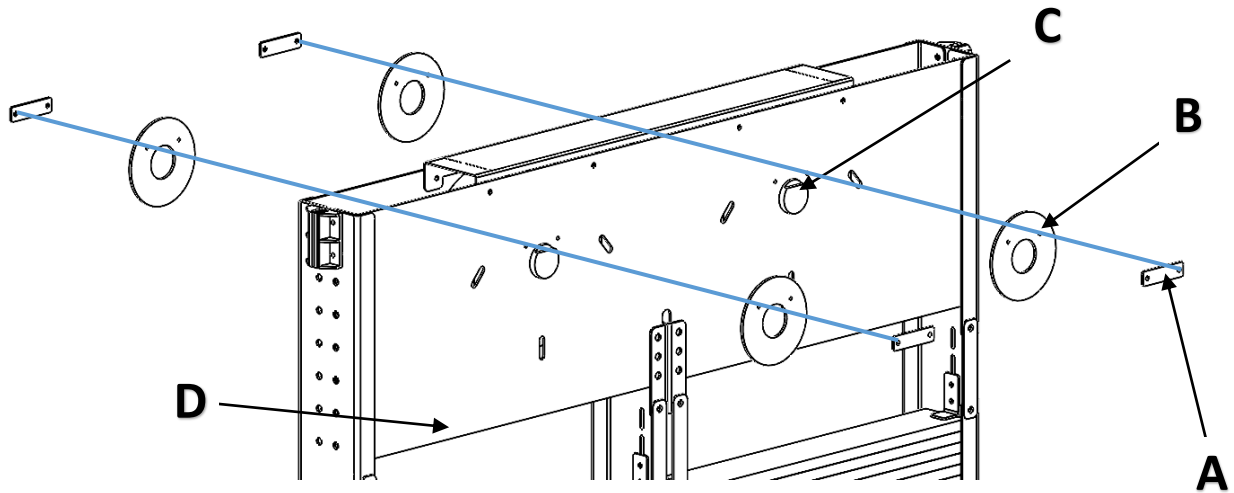


- A- Cover for pulley
- B- Top cover for pulley



CWT Frame – Double Row

Top CWT Frame - Reinforcement for Pulley

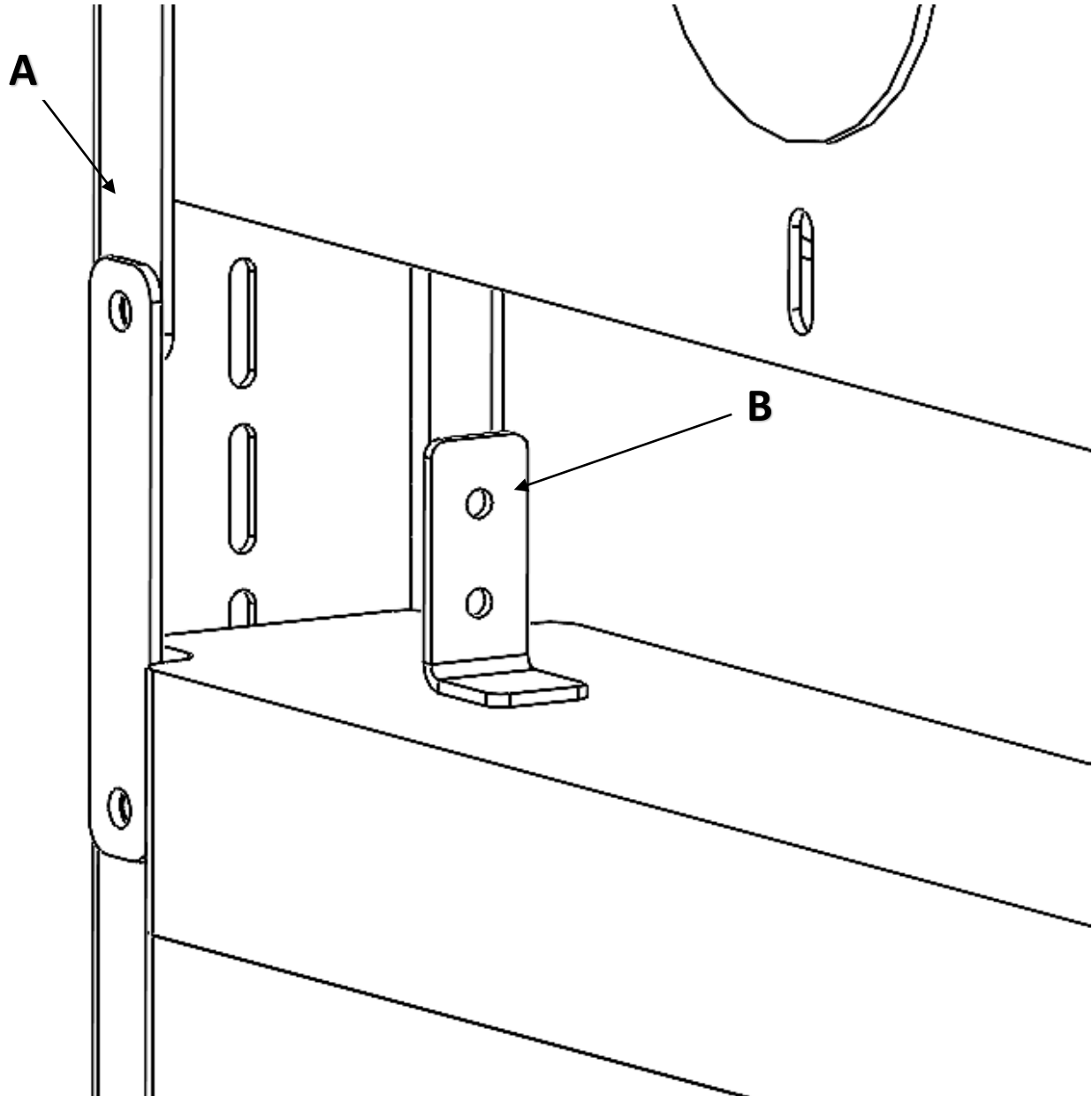


- A- Plate
- B- Reinforcement sheet
- C- Pulley
- D- Sheet for pulley



CWT Frame – Double Row

Top CWT Frame - Fuse for Counterweight

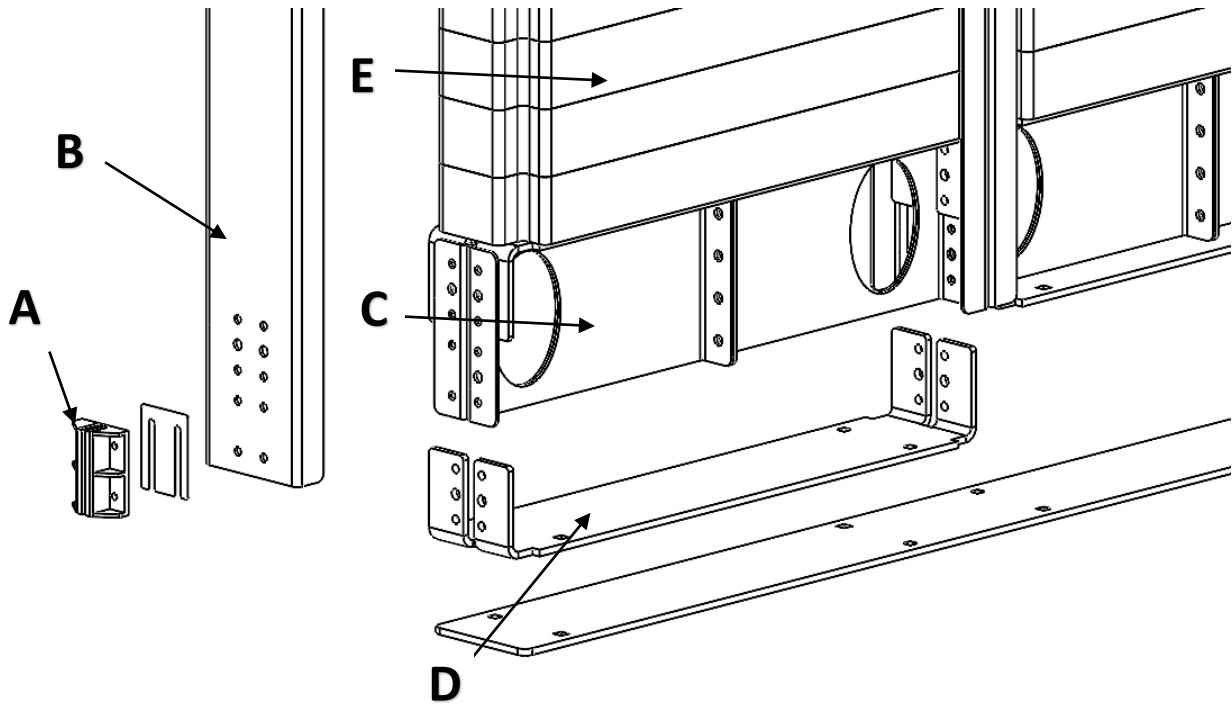


- A- Guide frame
- B- Fuse



CWT Frame – Double Row

Bottom CWT Frame

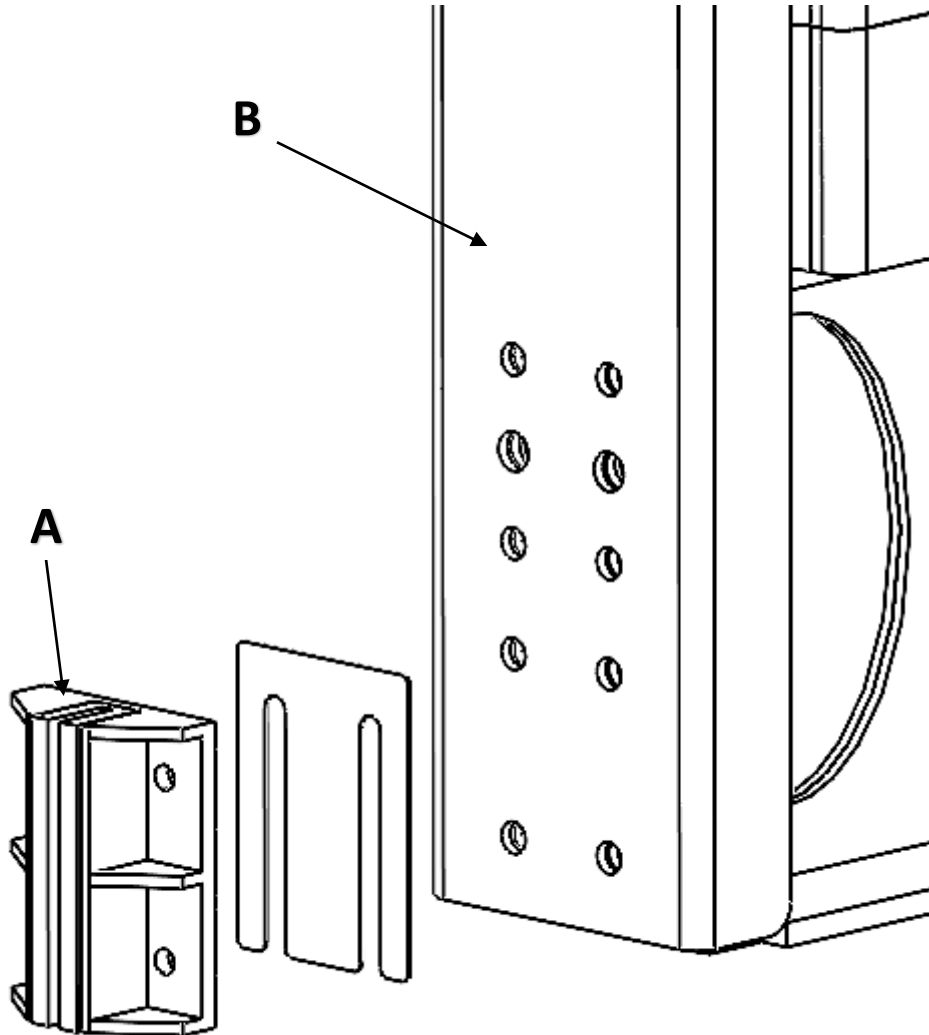


- A- Guide shoes
- B- Guide frame
- C- Stiffener
- D- Holder for stiffener
- E- Counterweight



CWT Frame – Double Row

Bottom CWT Frame – Guide Shoes

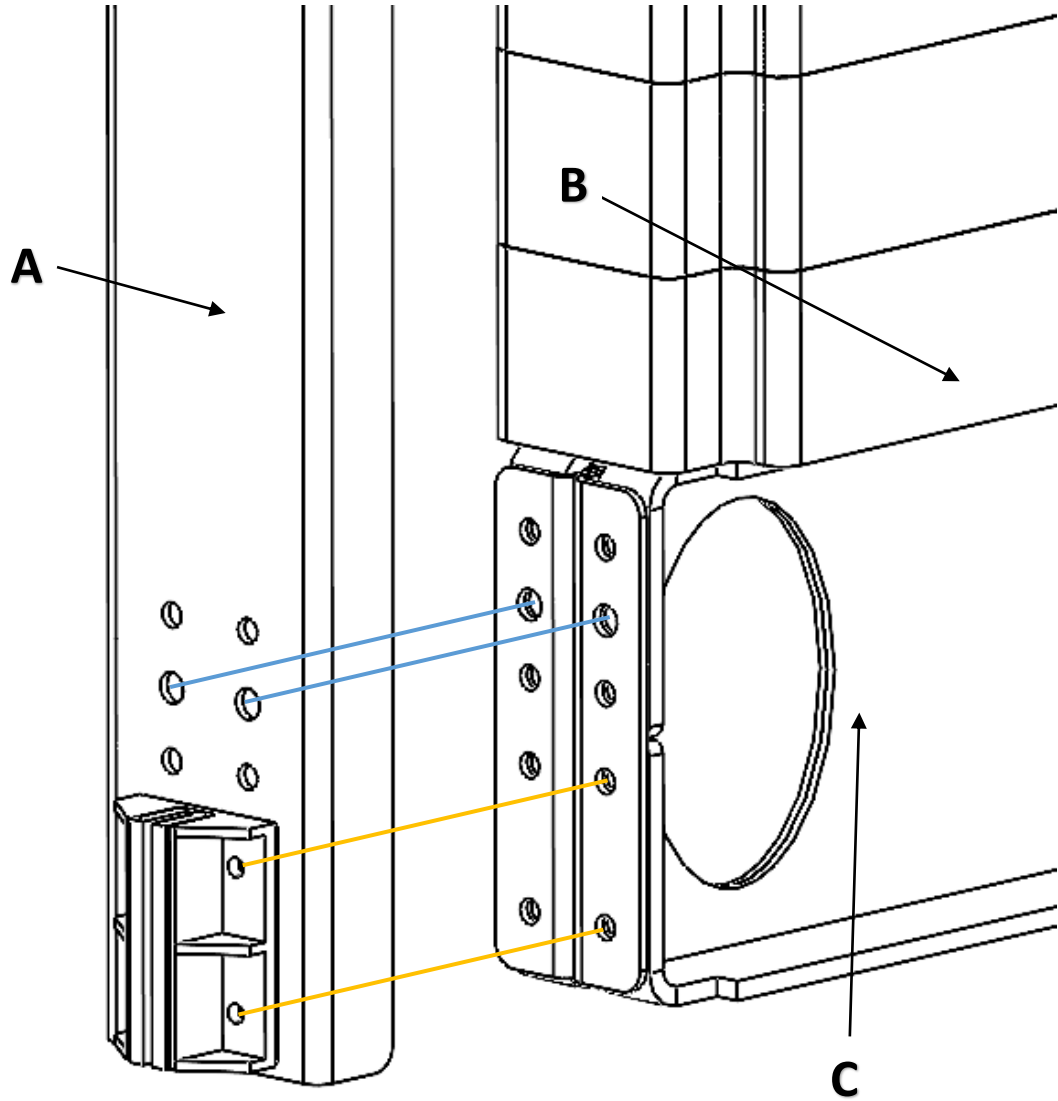


- A- Guide shoes
- B- Guide frame



CWT Frame – Double Row

Bottom CWT Frame

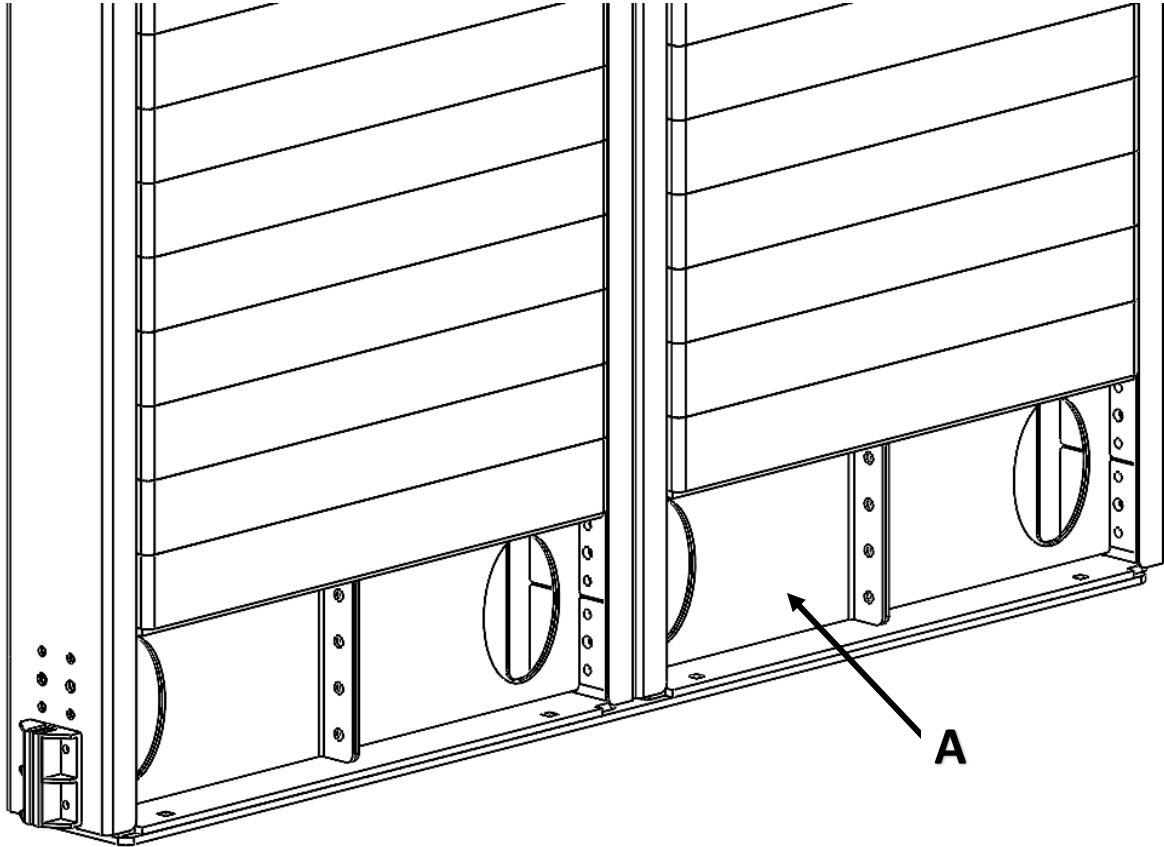


- A- Guide frame
- B- Stiffener
- C- Holder for stiffener



CWT Frame – Double Row

Bottom CWT Frame – Stiffener

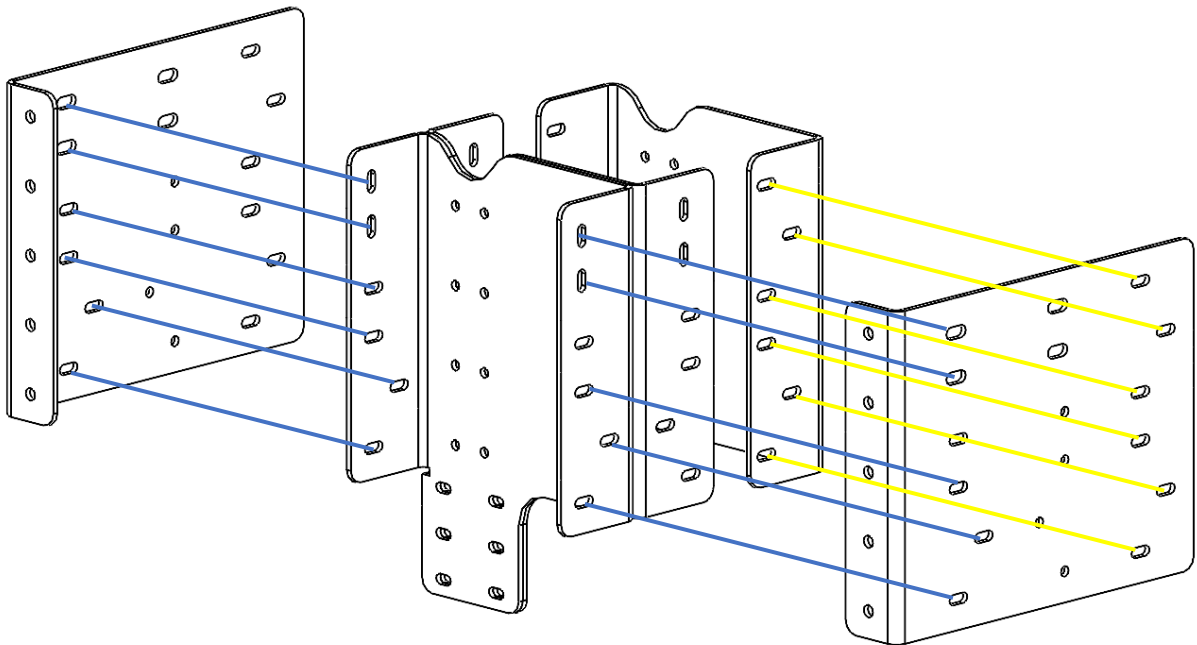
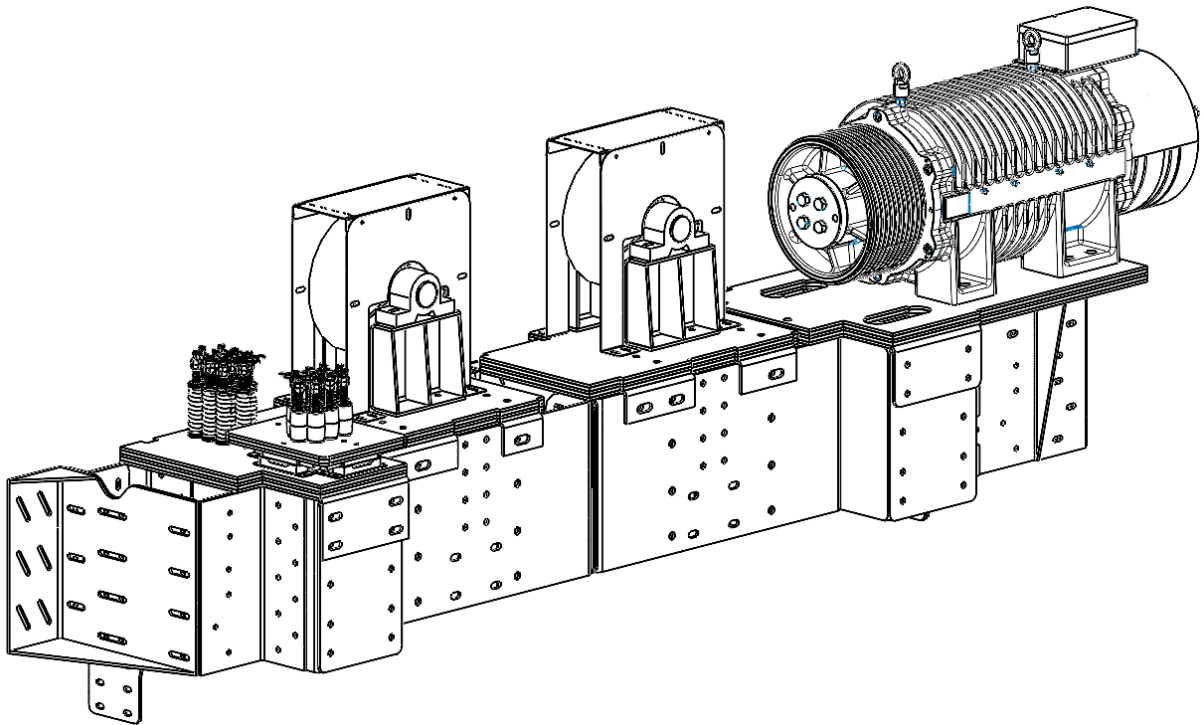


Installation Manual

A- Stiffner

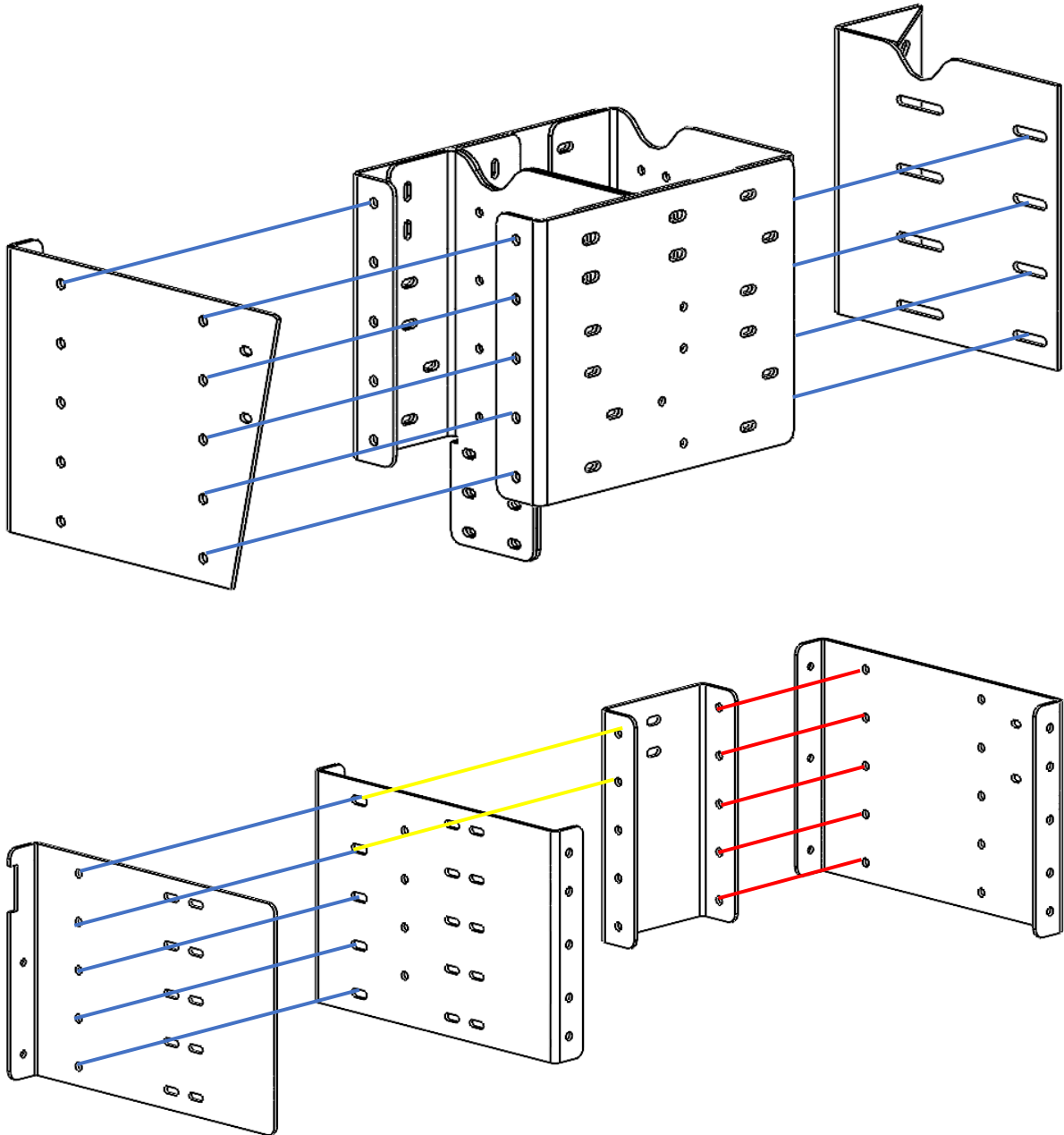


Machine Frame



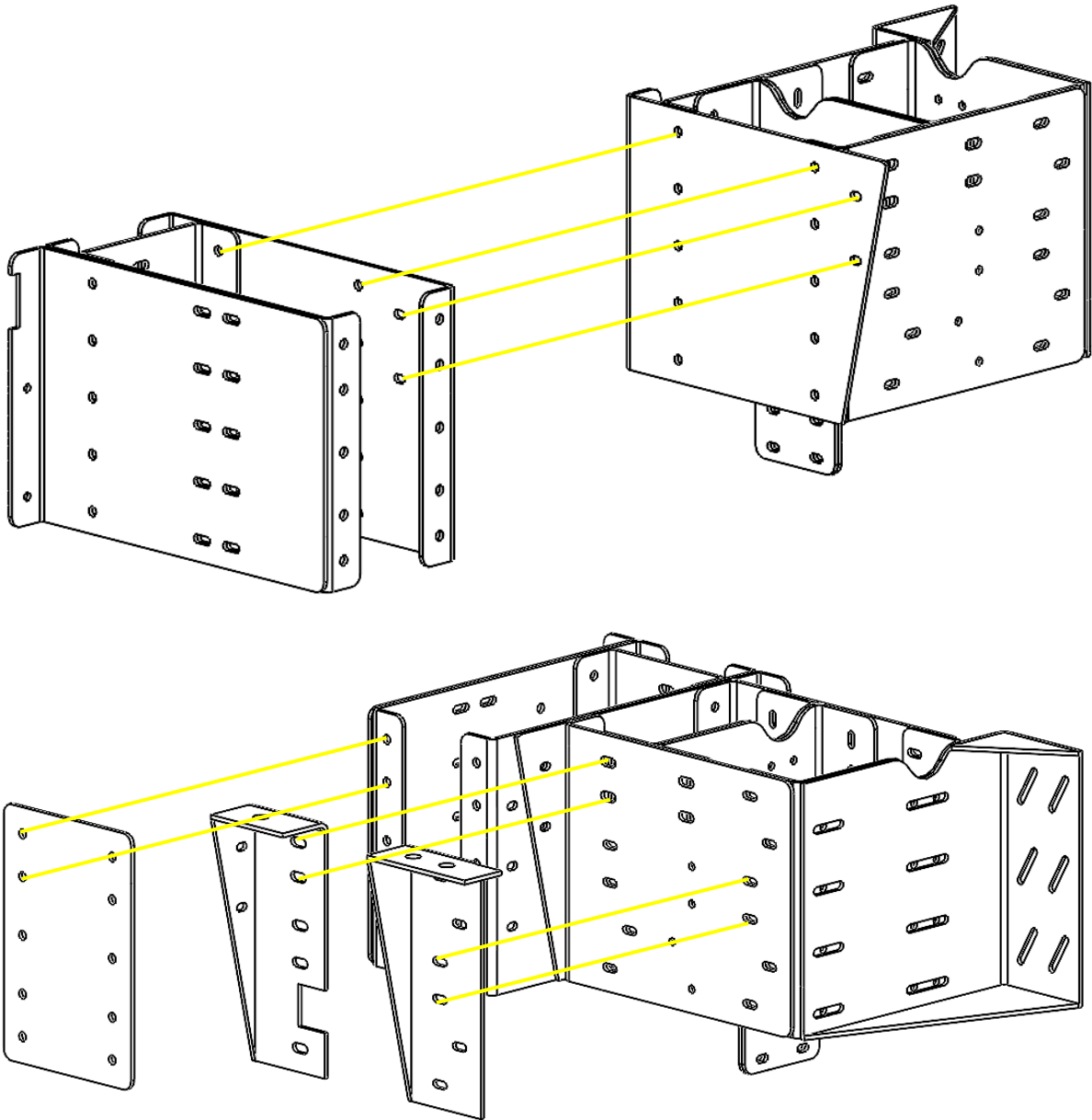


Machine Frame



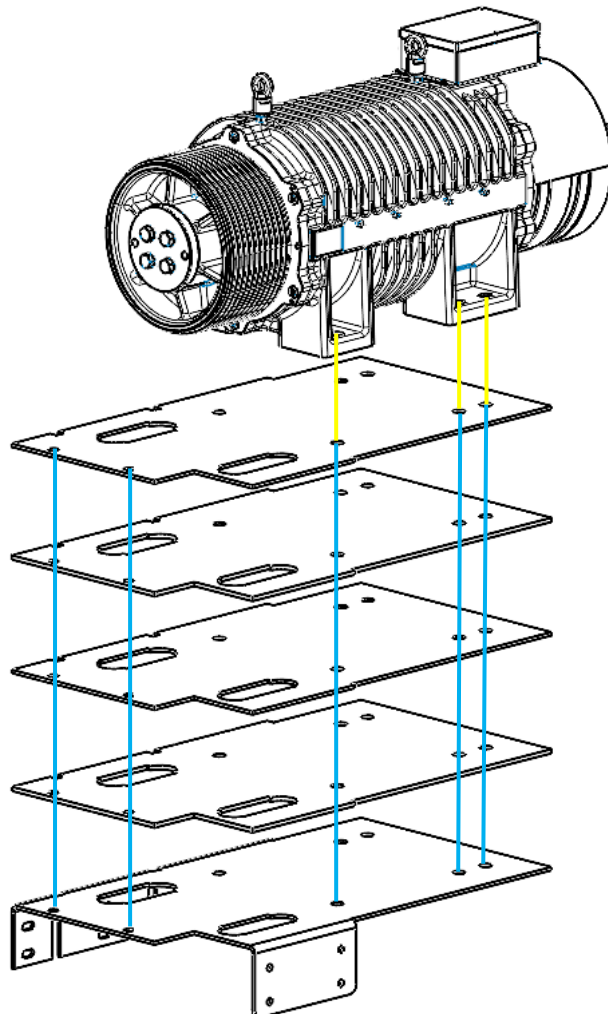
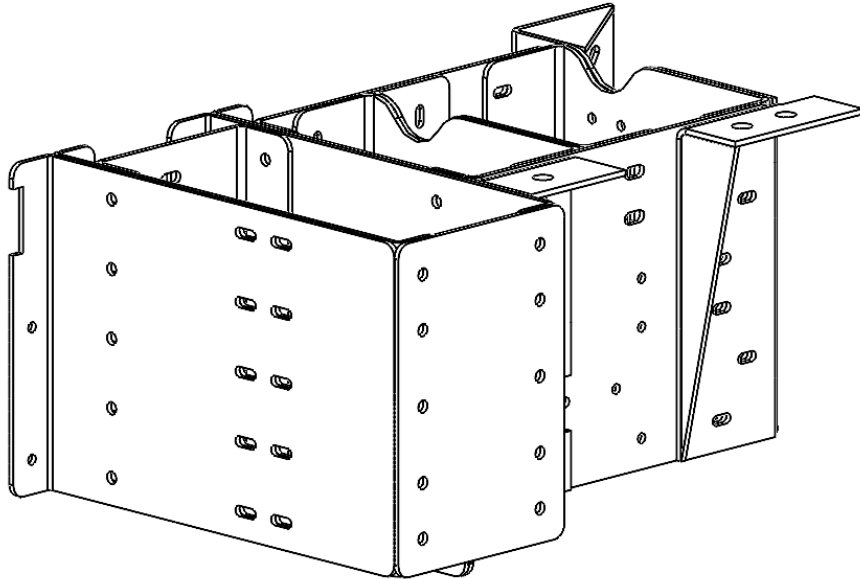


Machine Frame



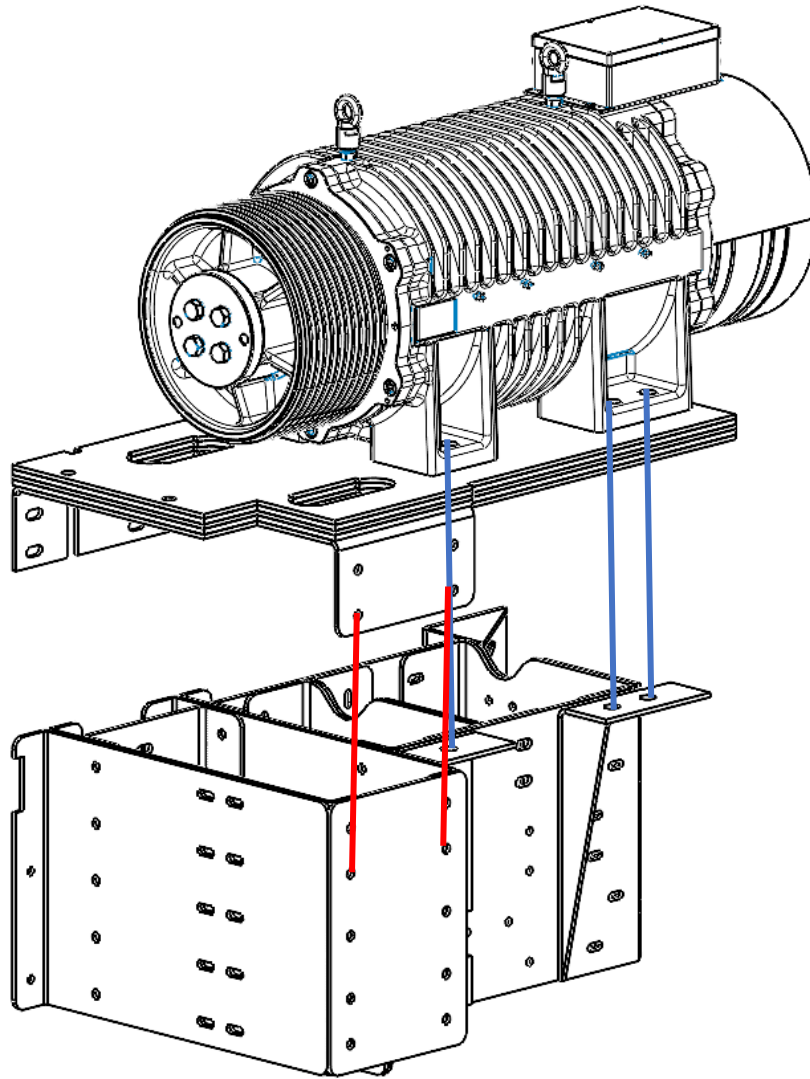


Machine Frame



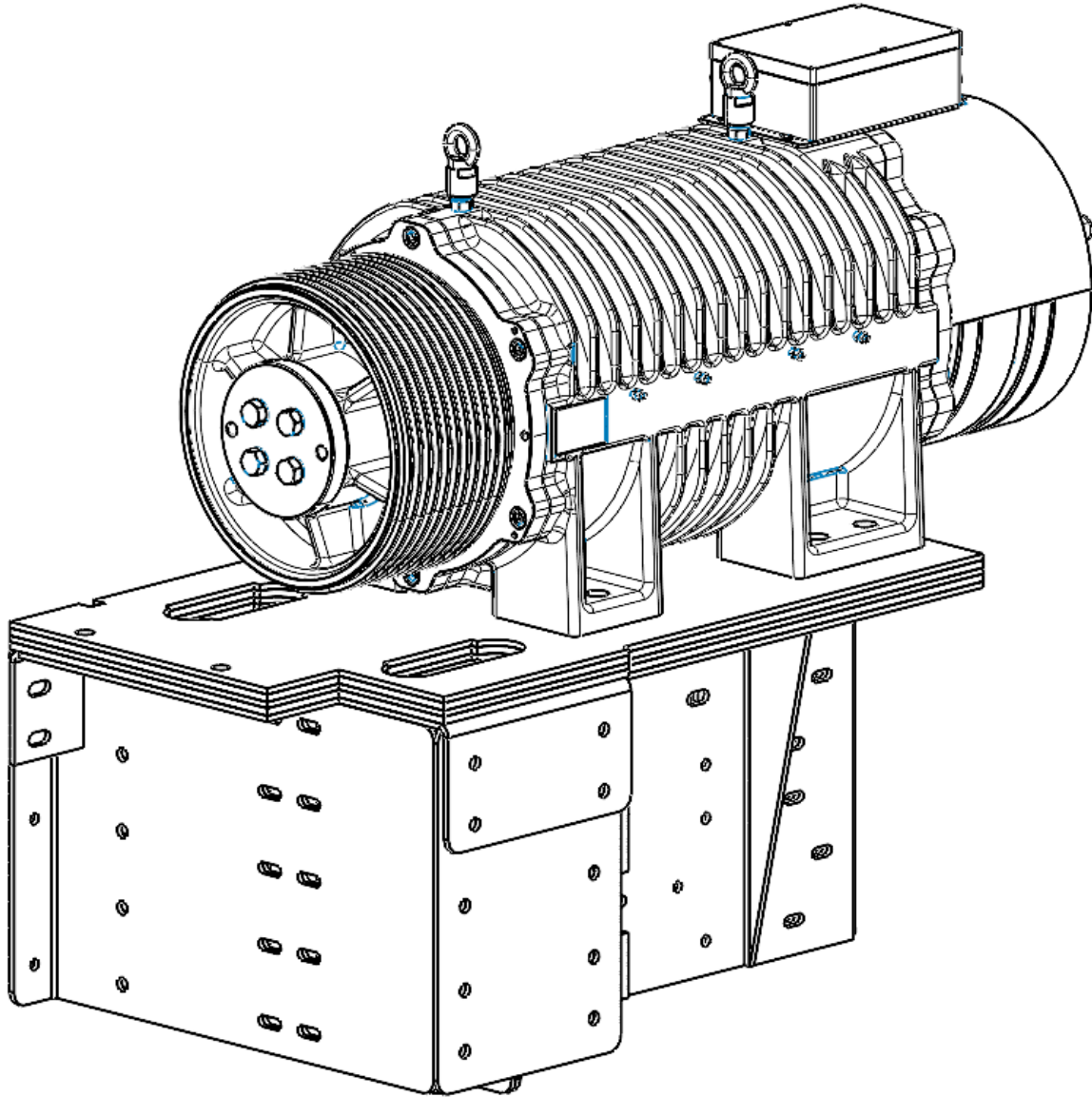


Machine Frame



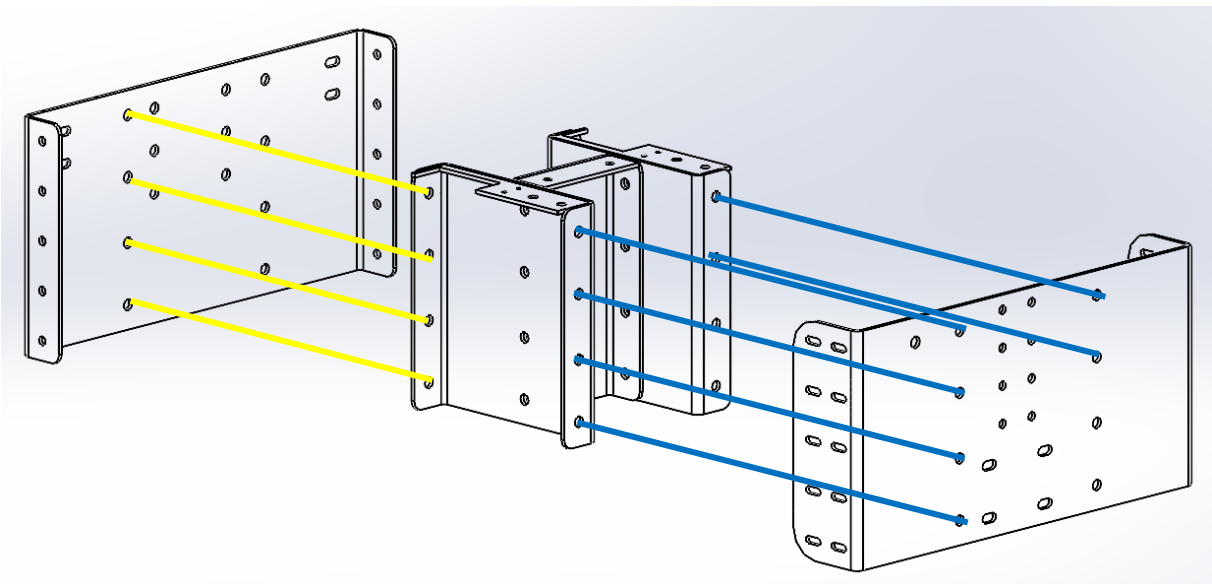
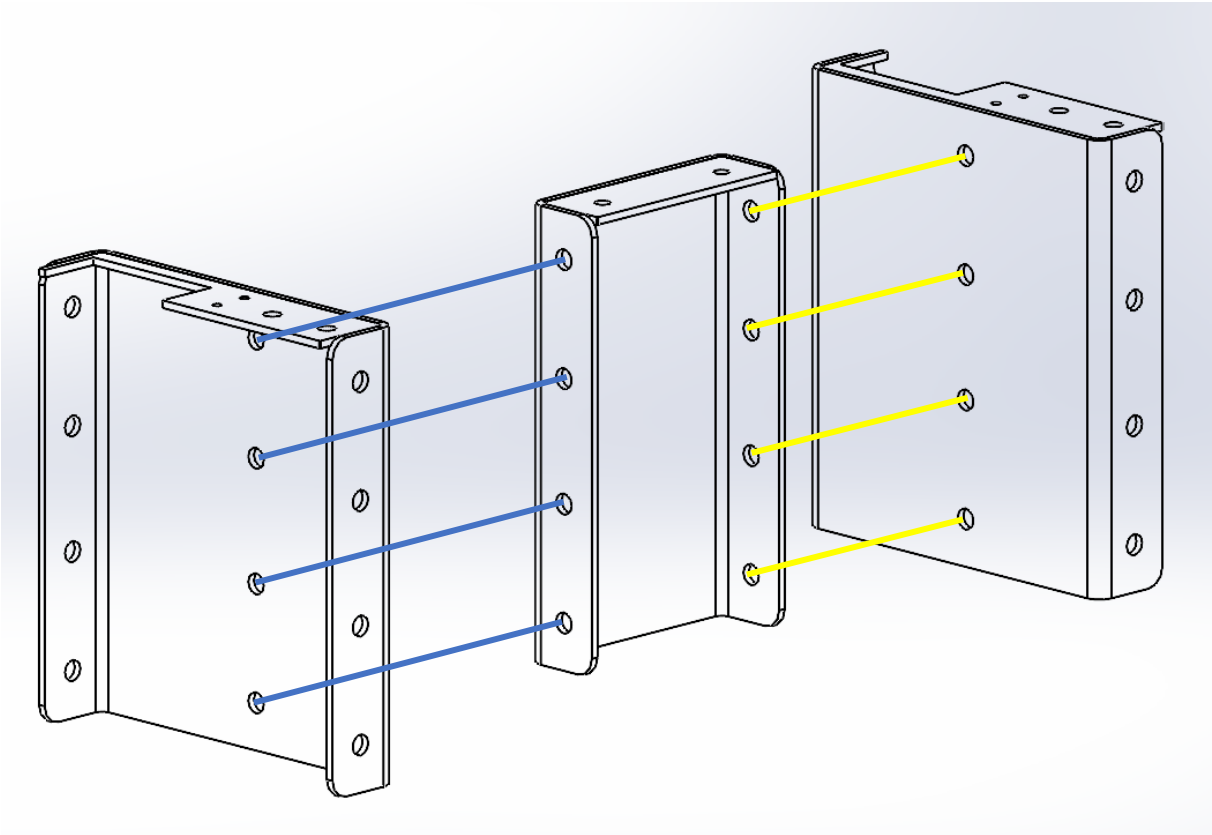


Machine Frame



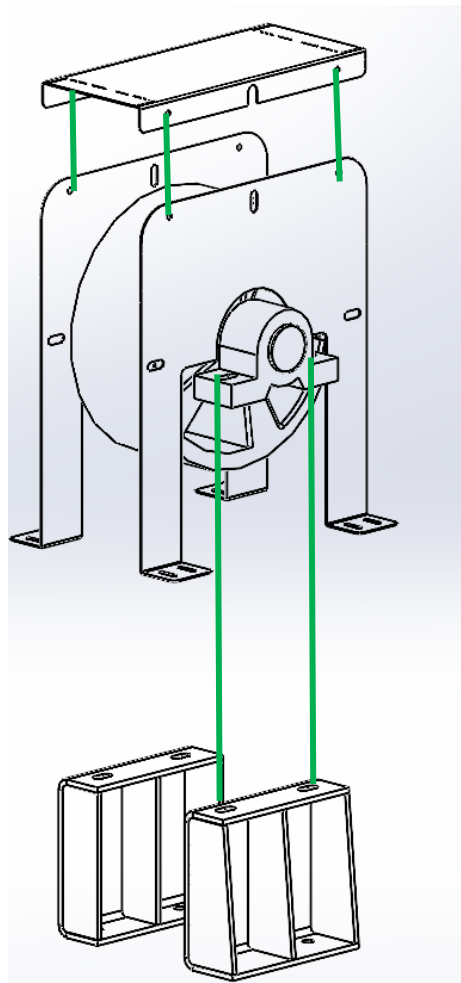
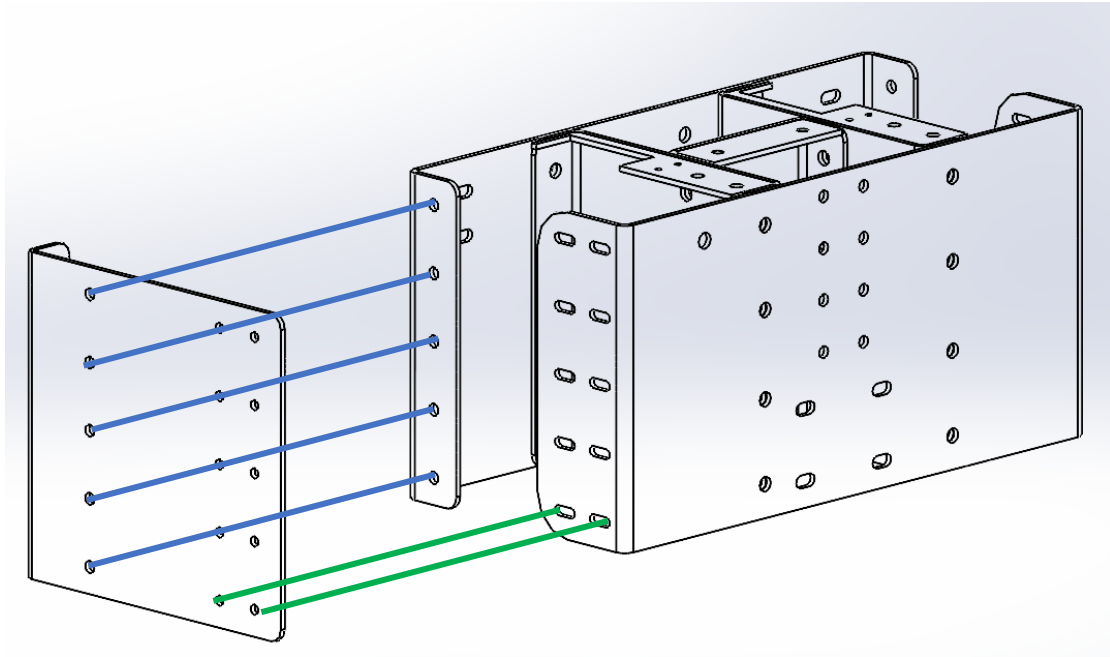


Machine Frame



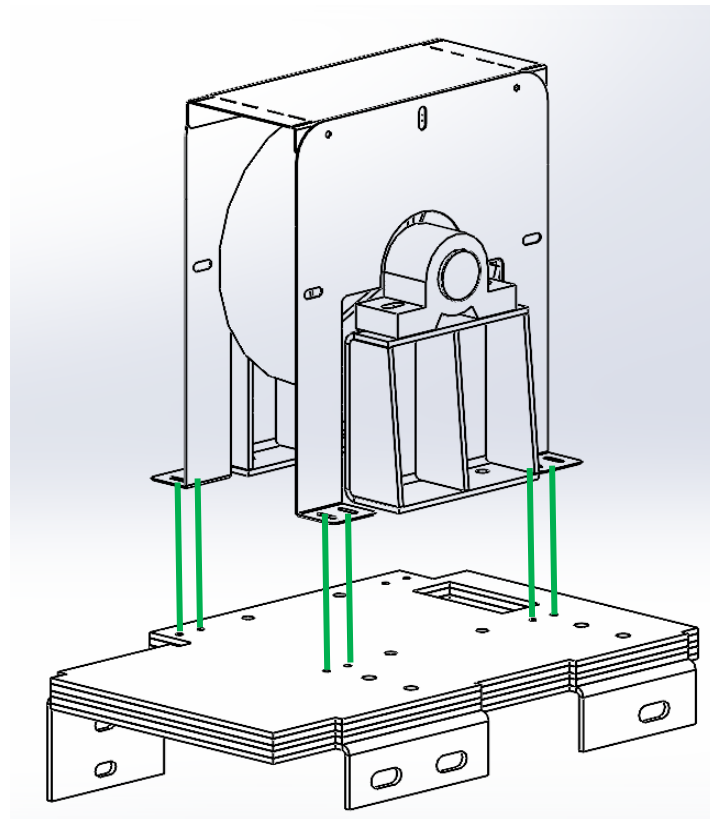
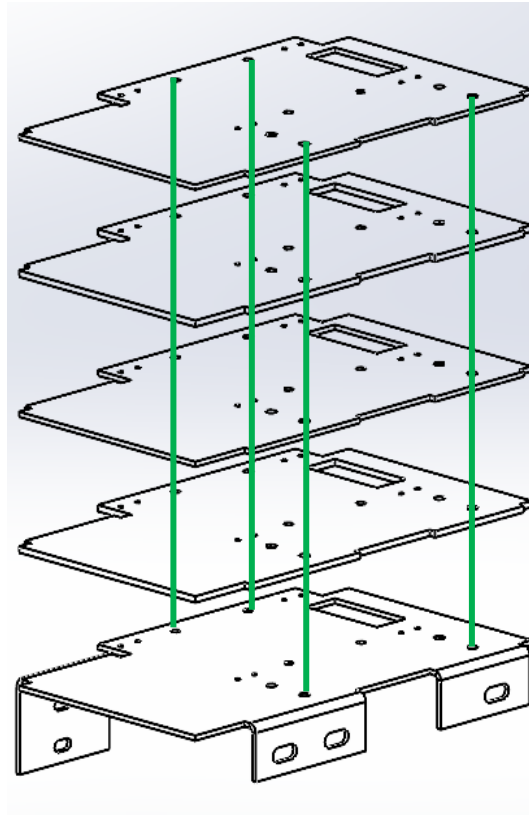


Machine Frame



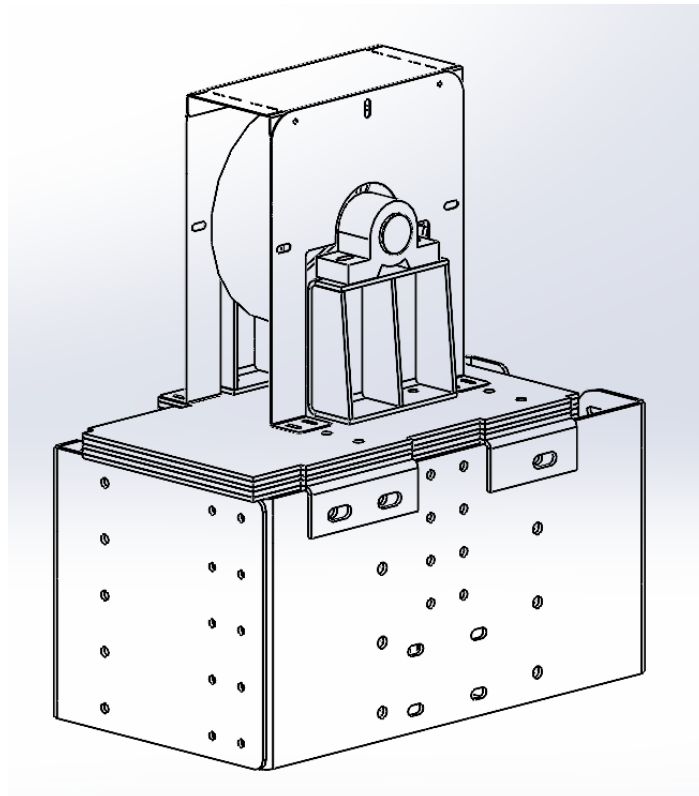
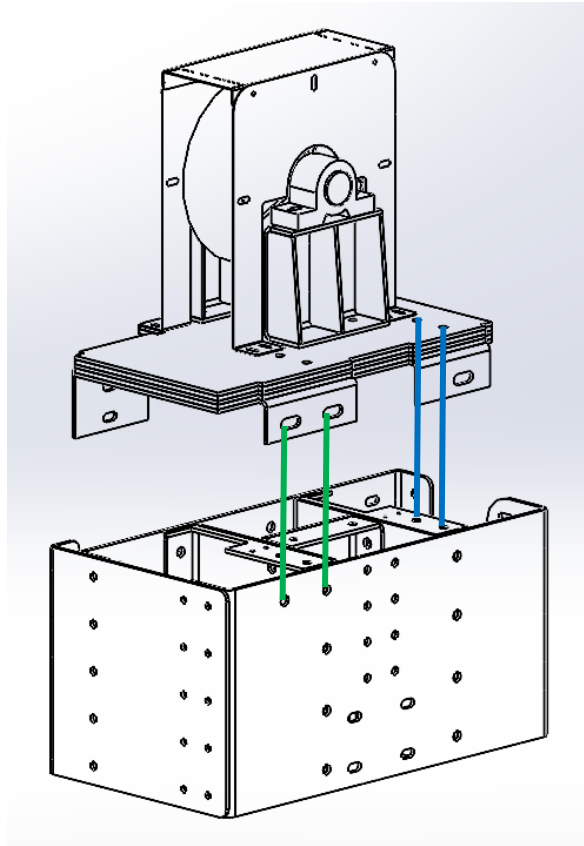


Machine Frame



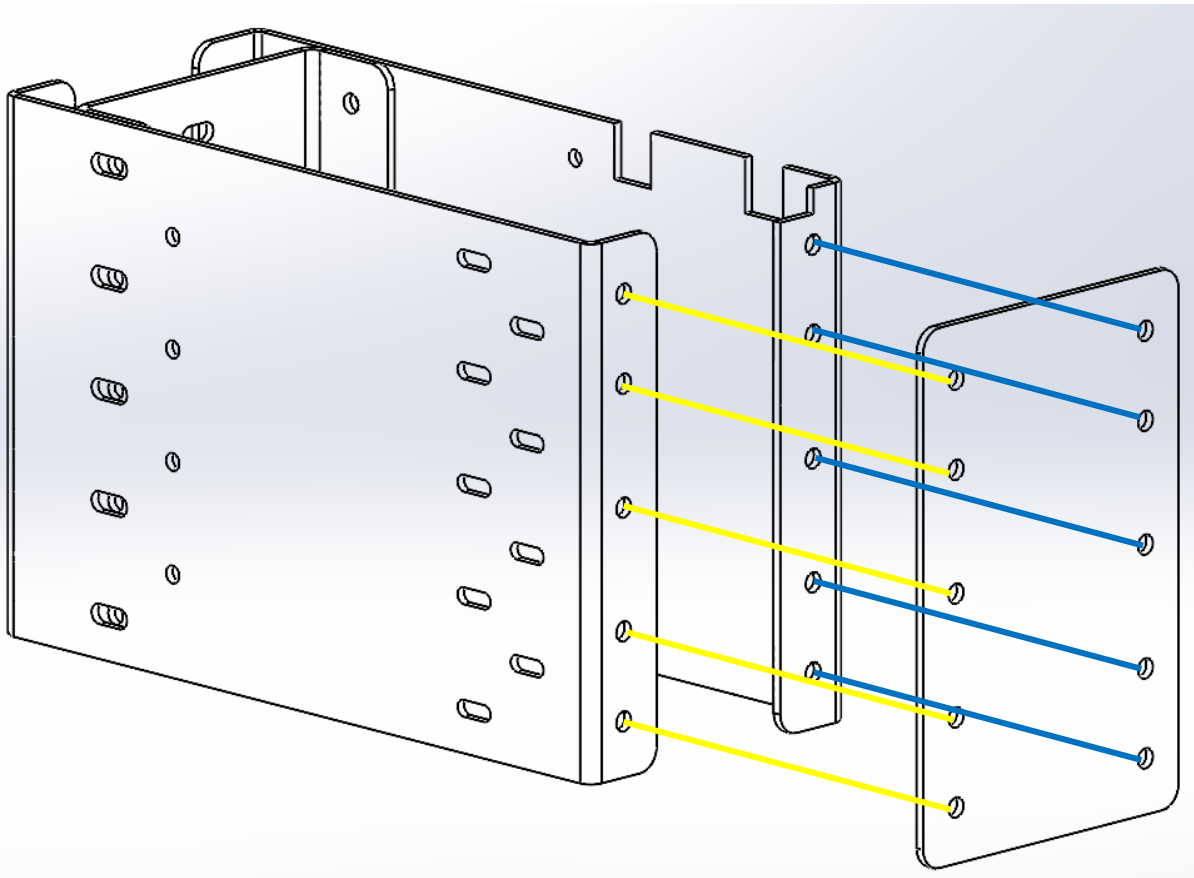
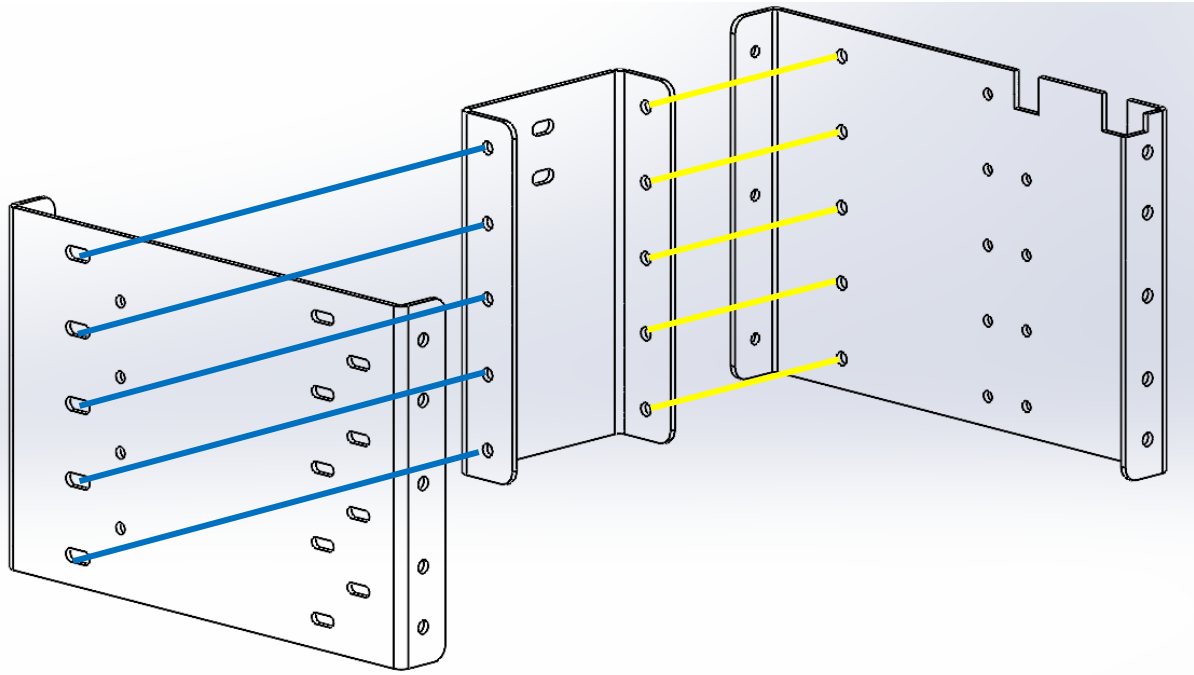


Machine Frame





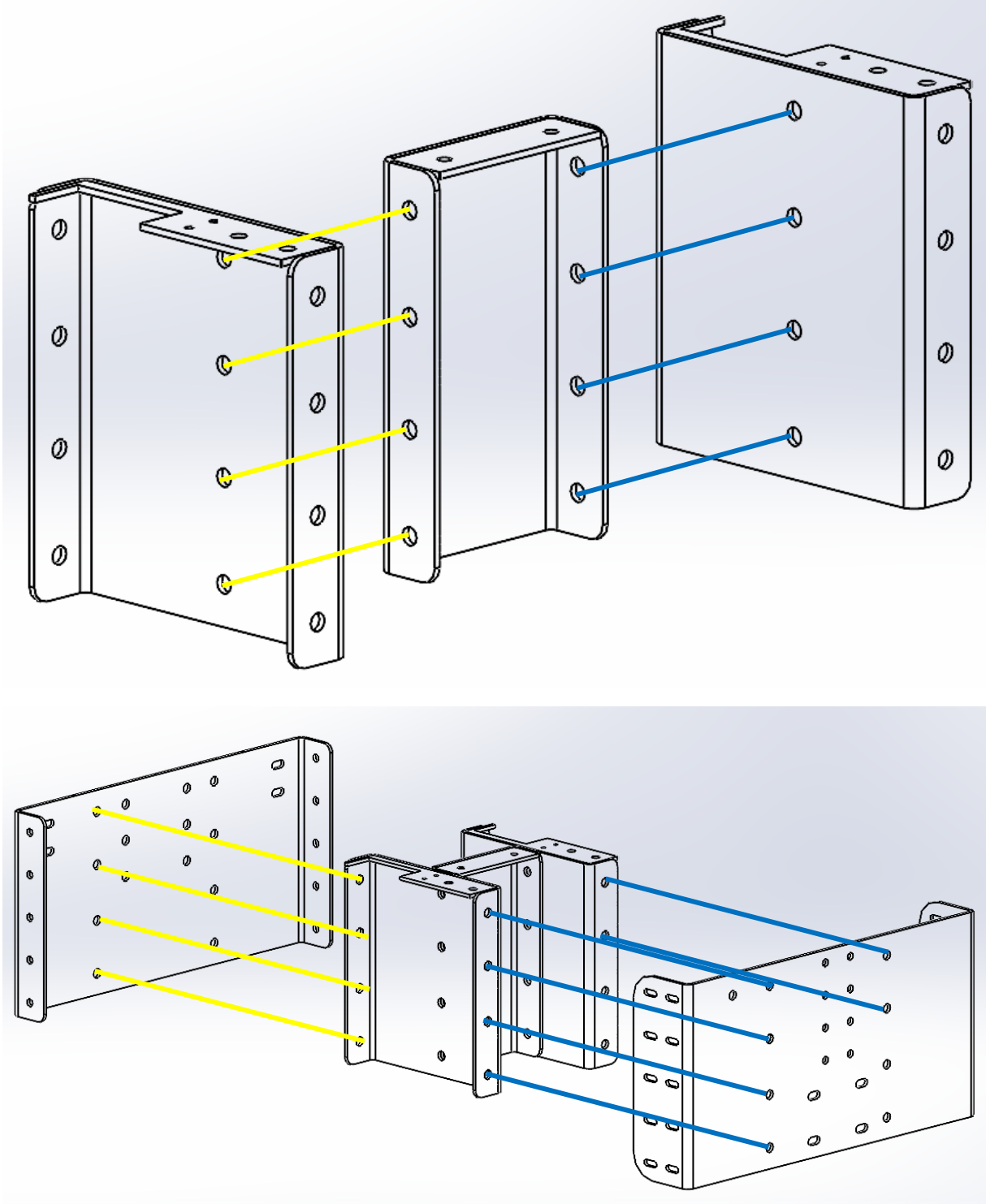
Machine Frame





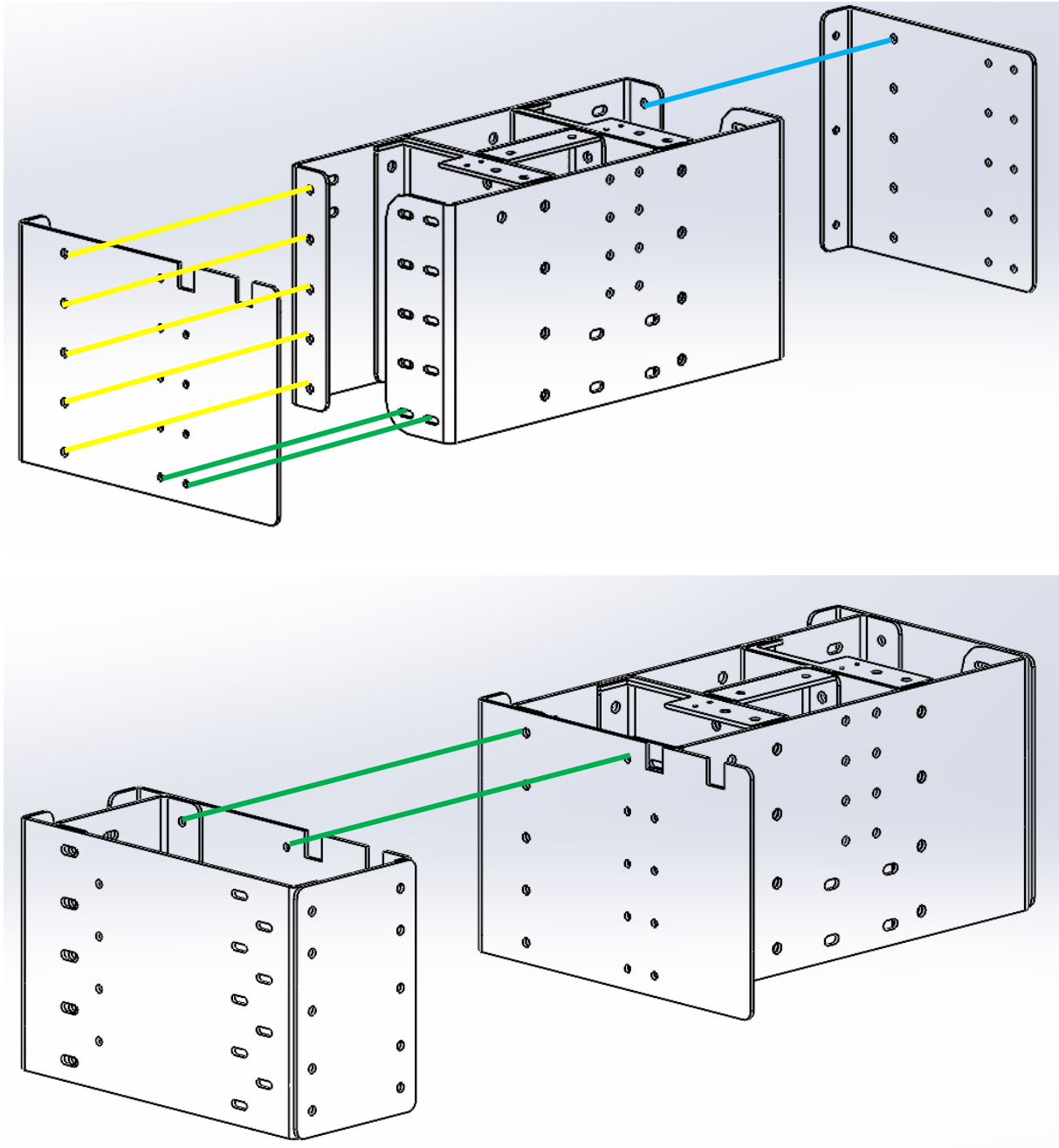
Machine Frame

Installation Manual



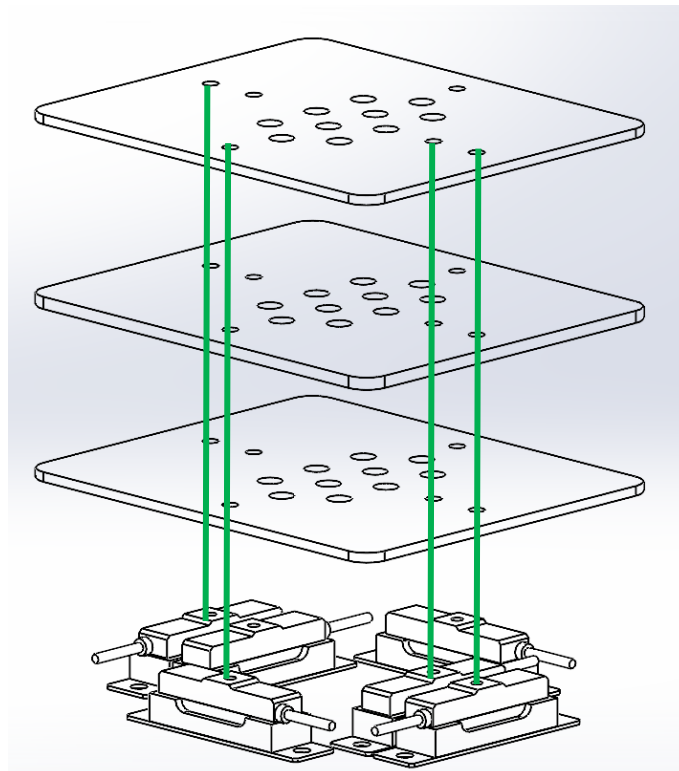
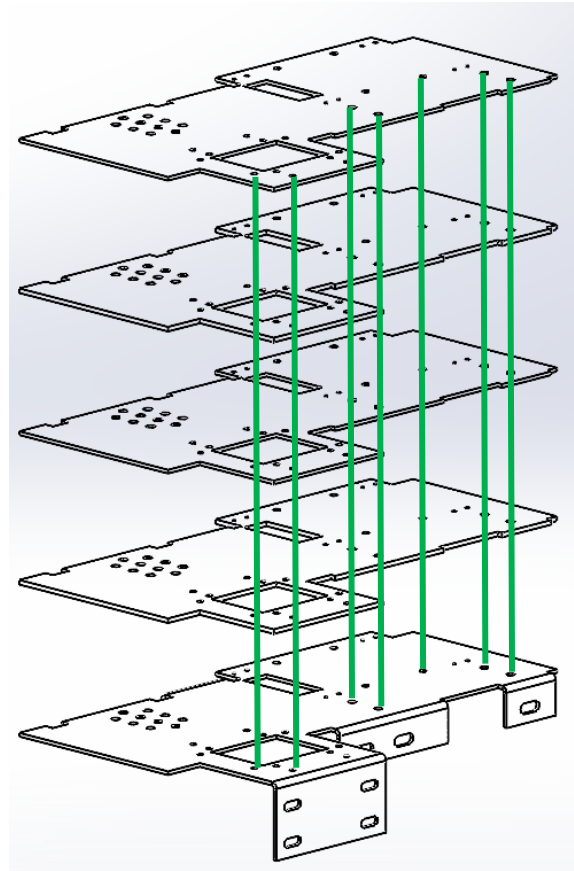


Machine Frame



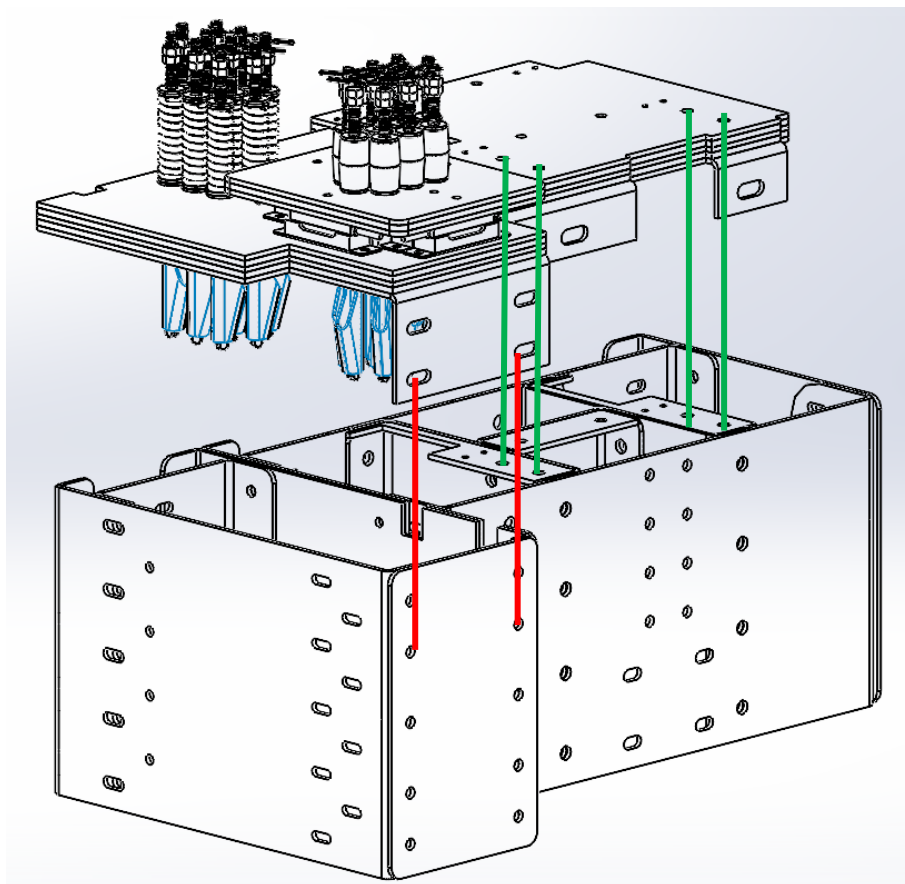
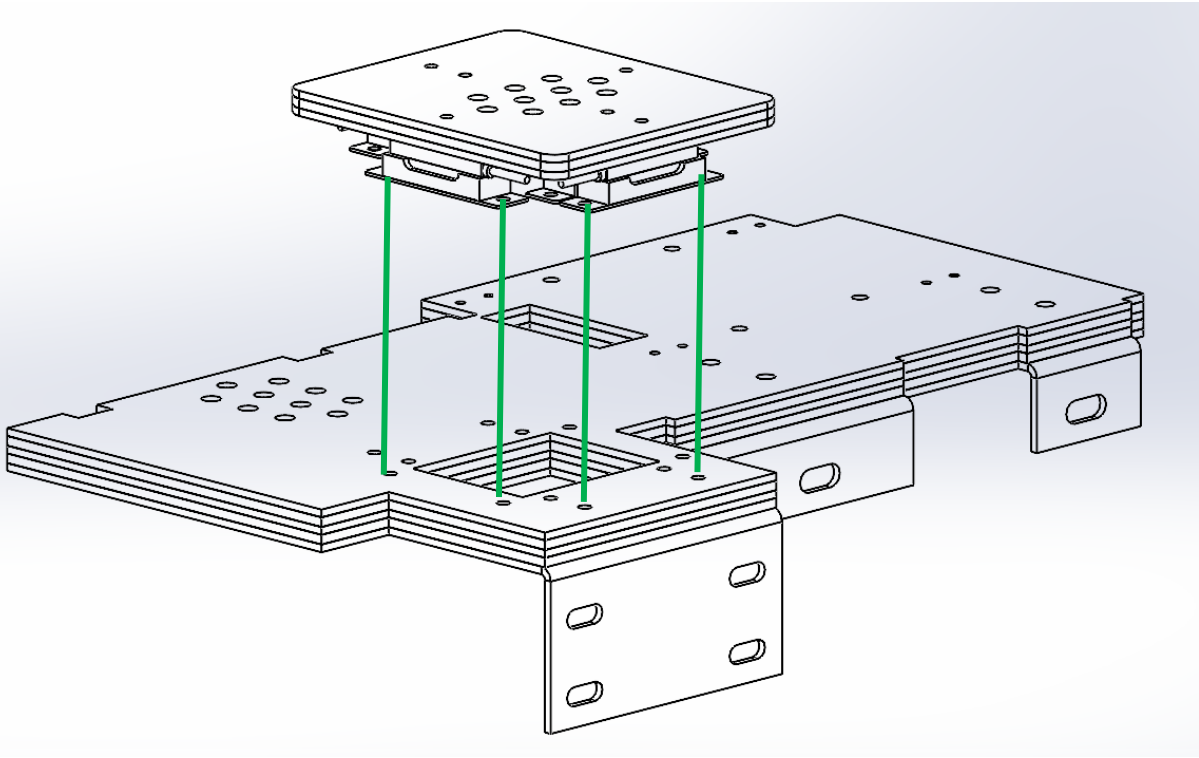


Machine Frame



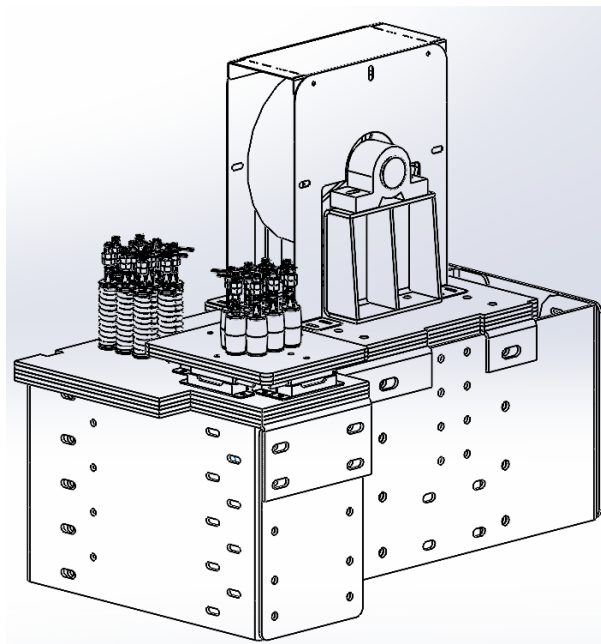
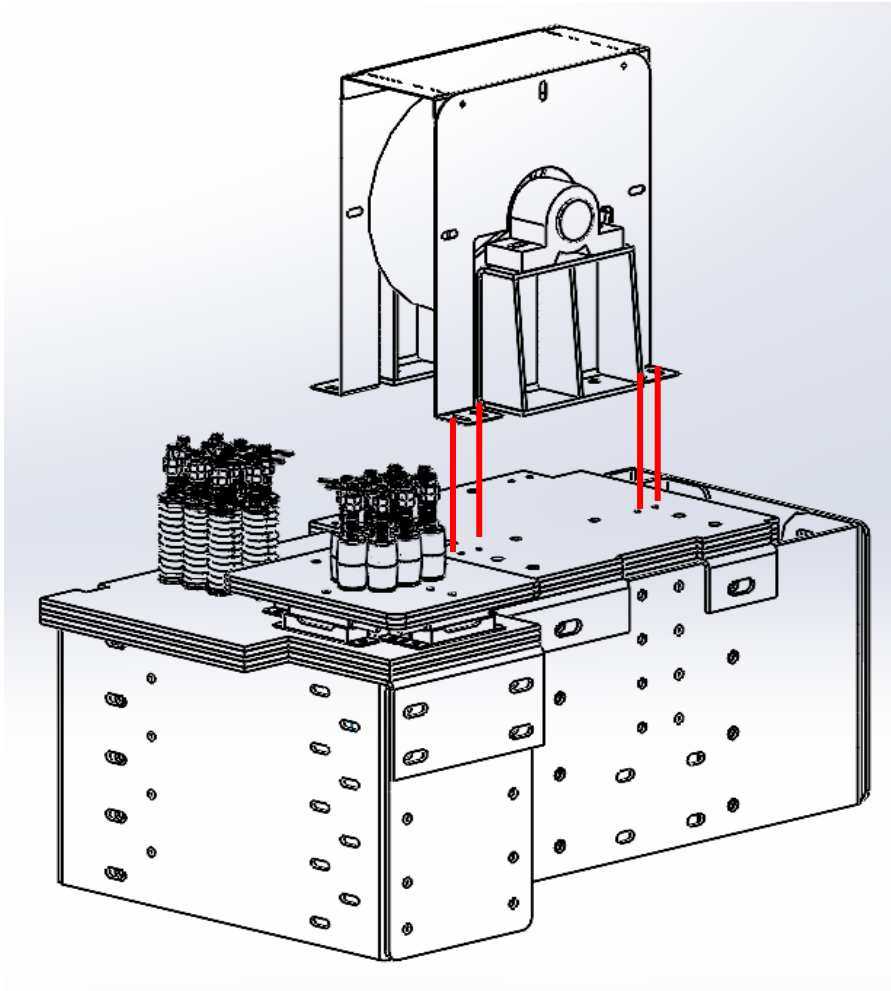


Machine Frame



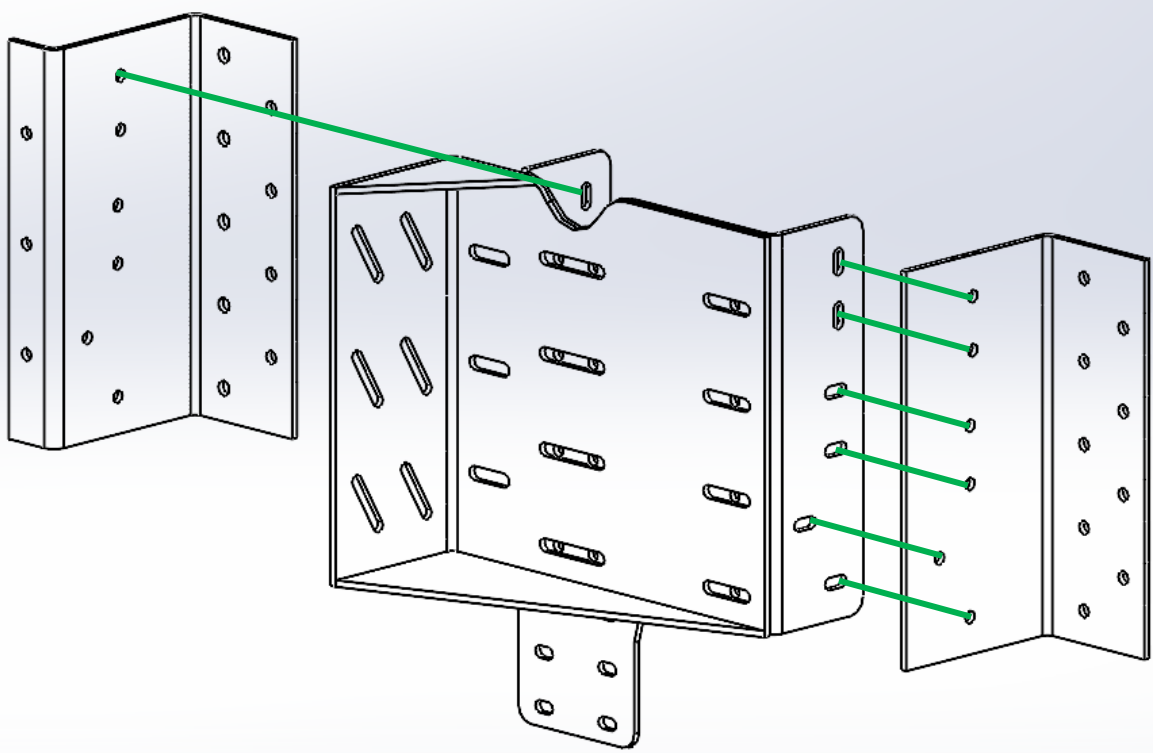
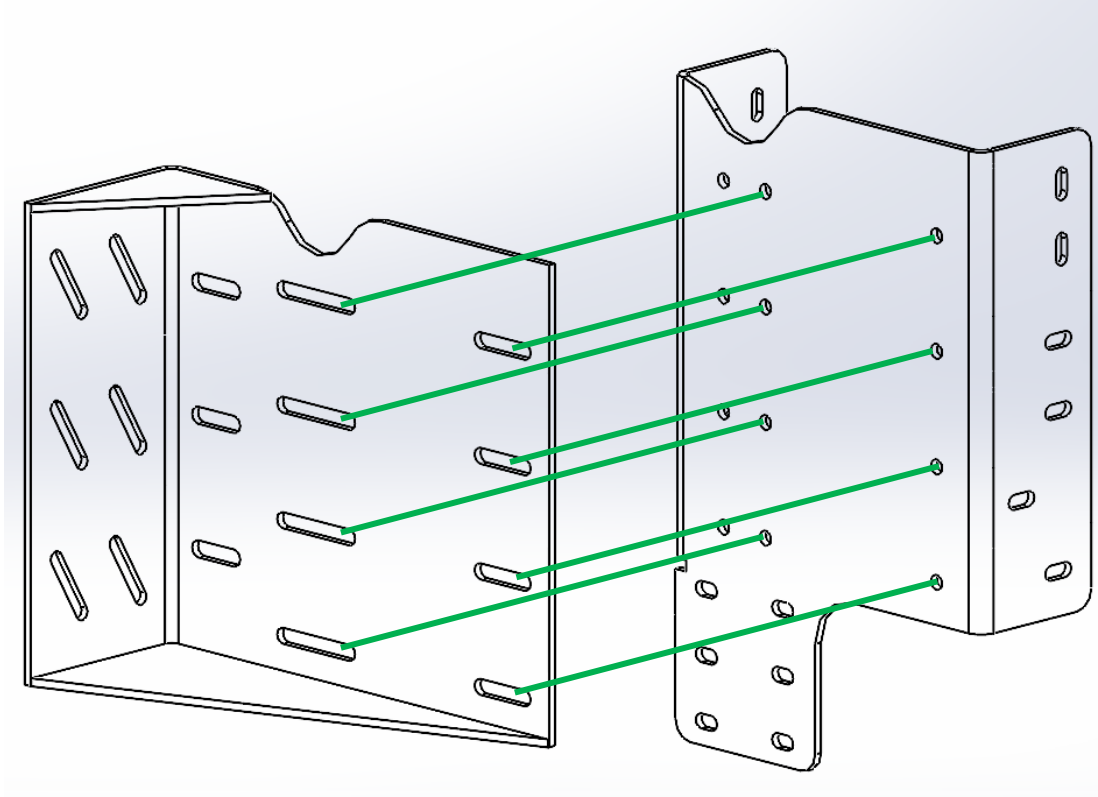


Machine Frame



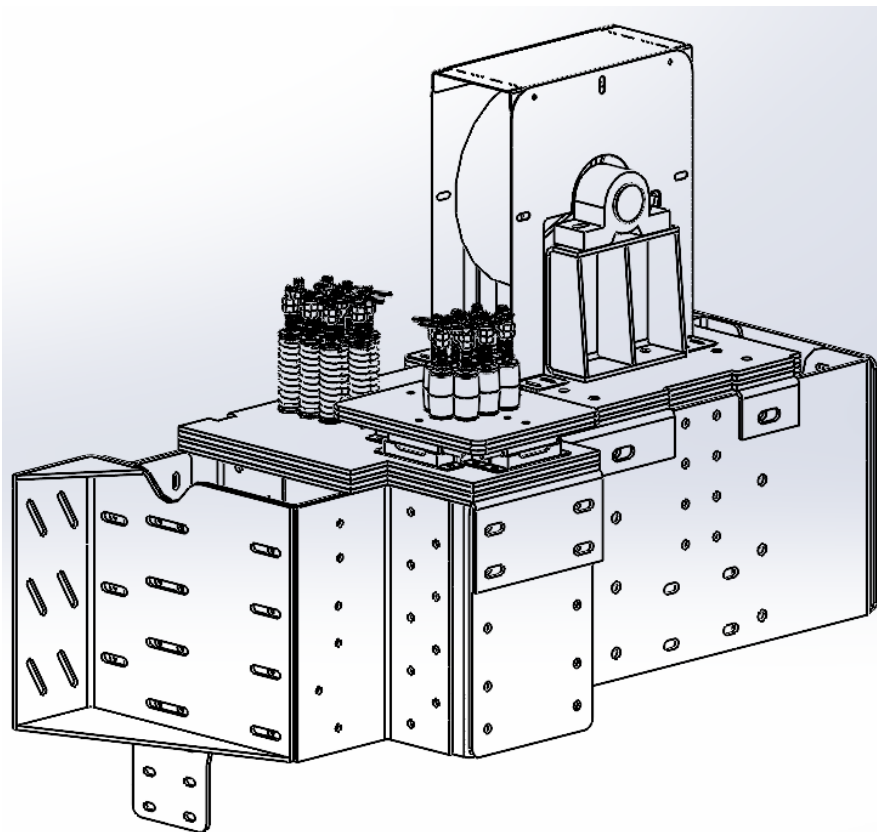
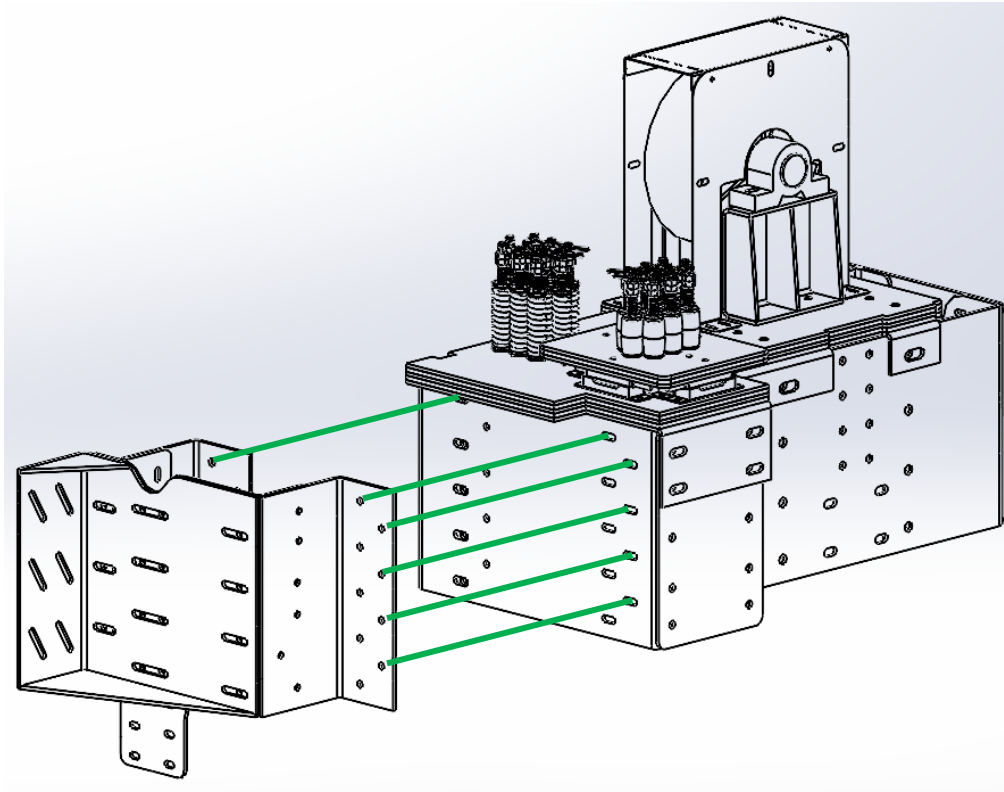


Machine Frame





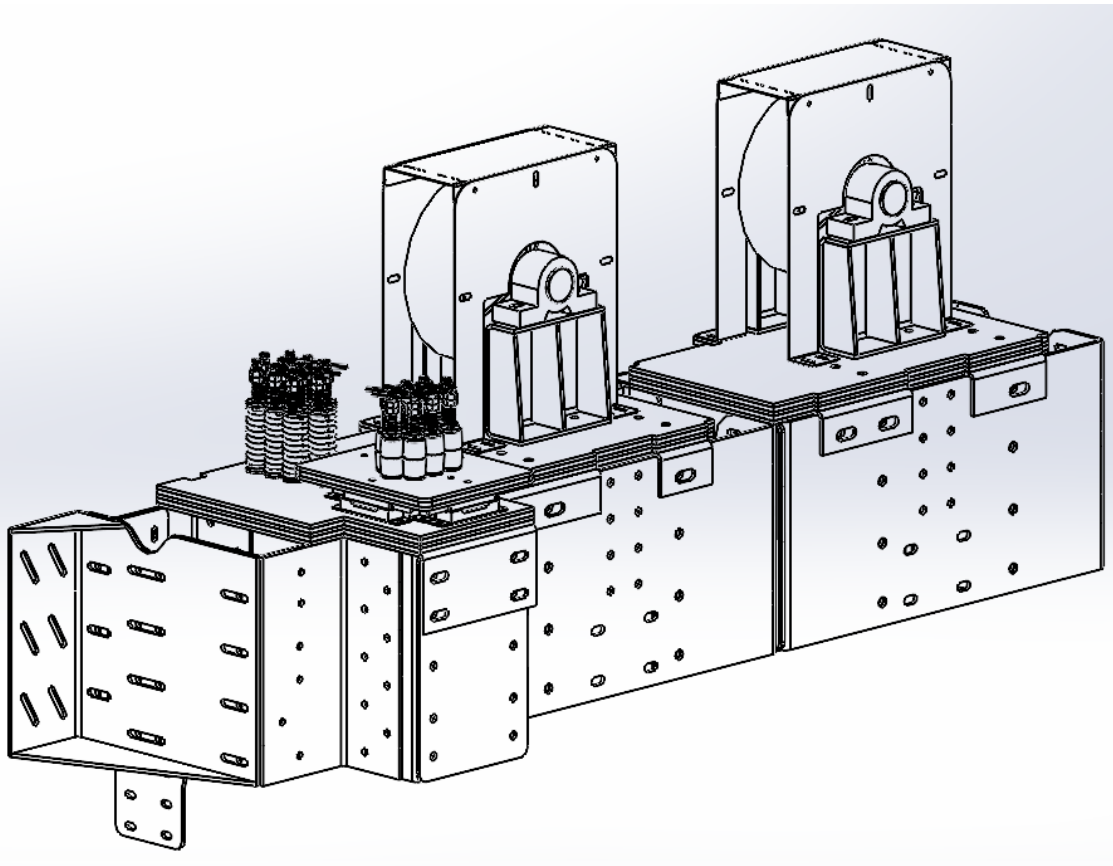
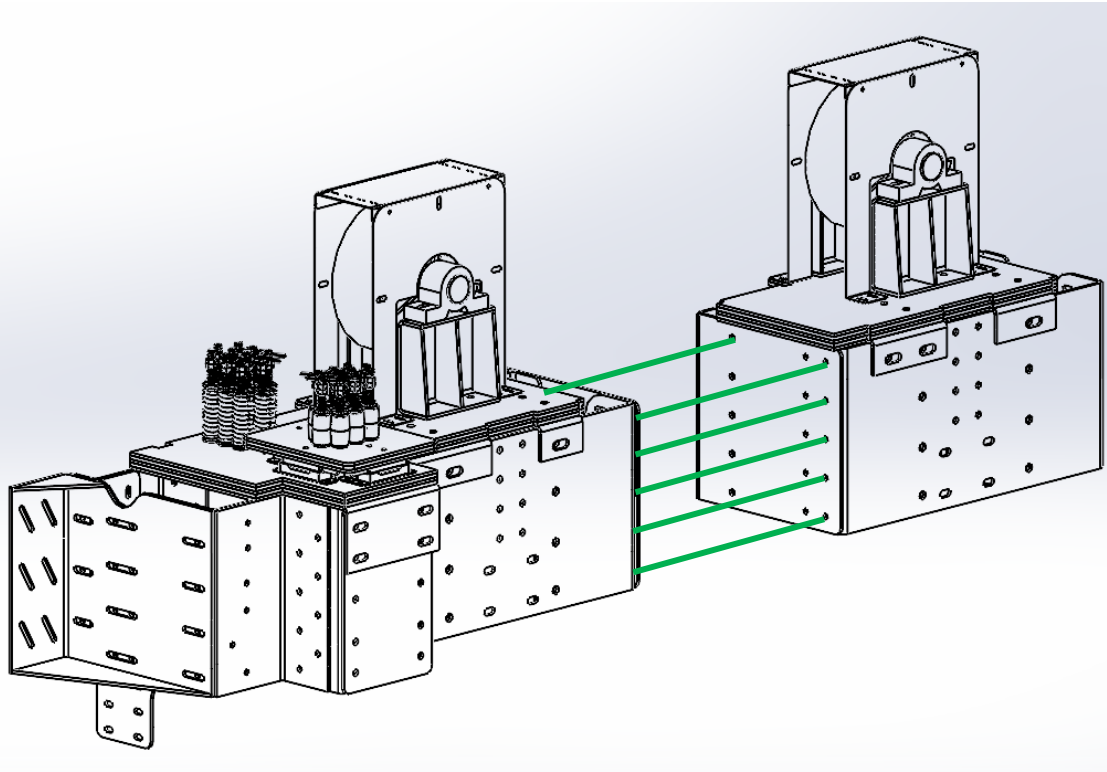
Machine Frame



Installation Manual

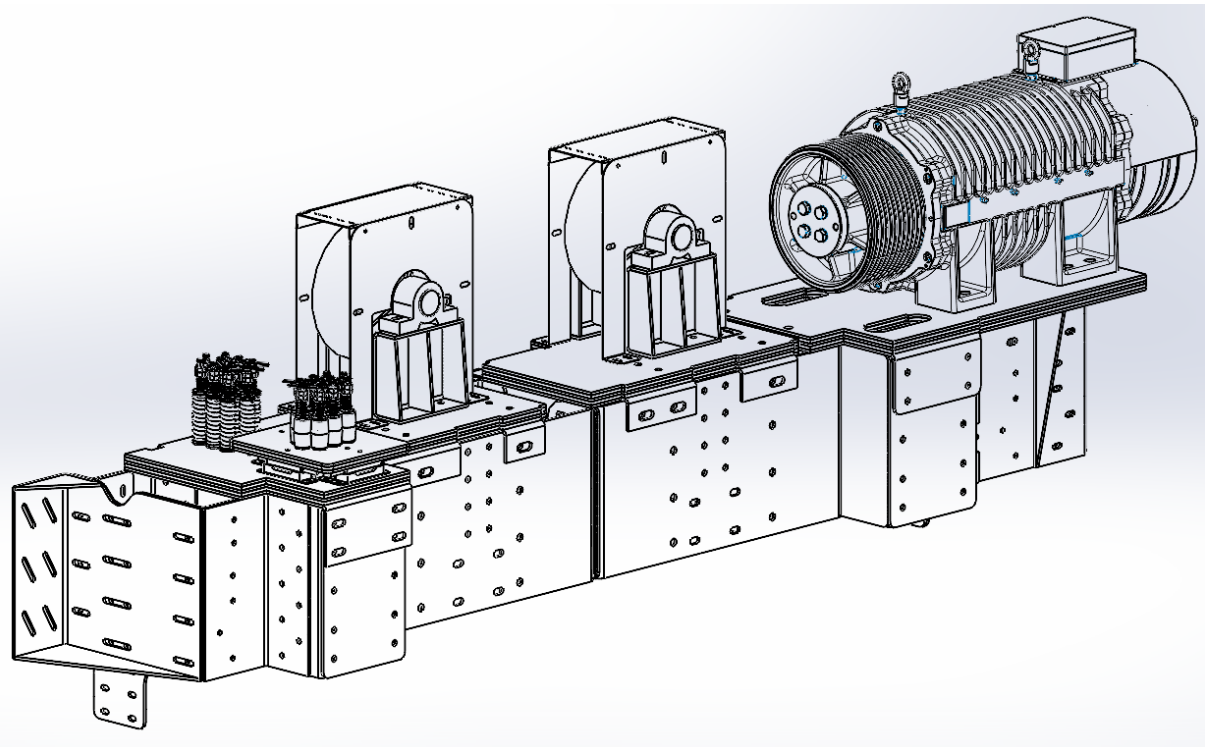
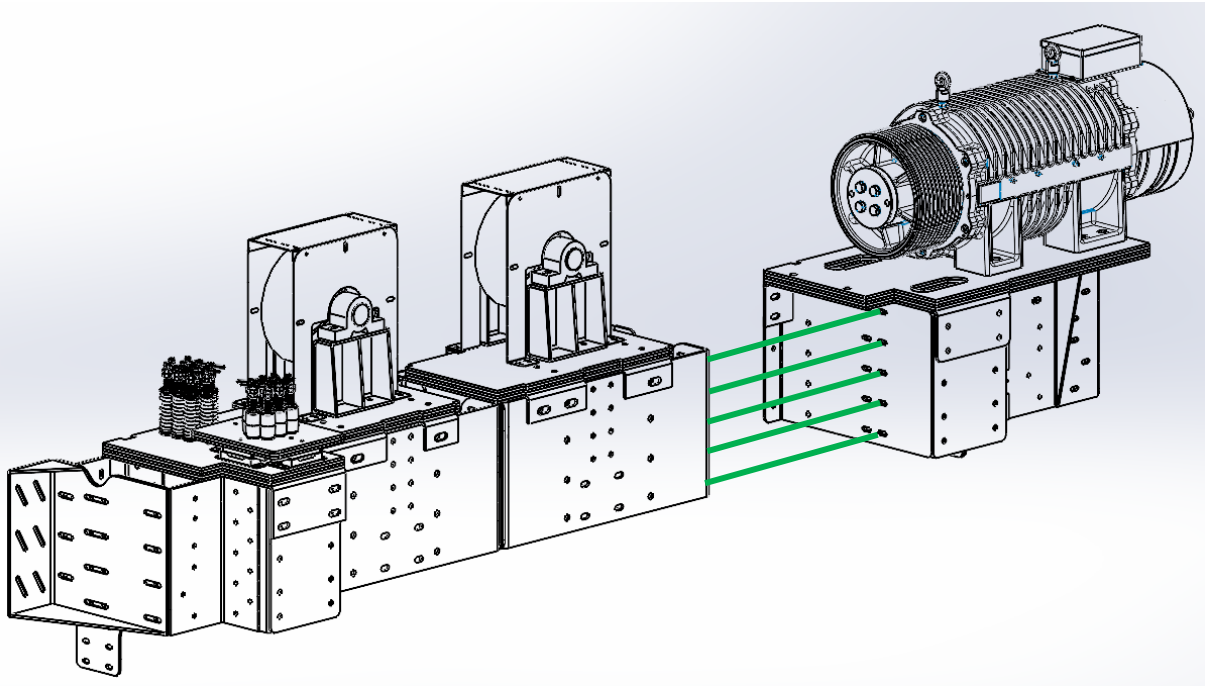


Machine Frame





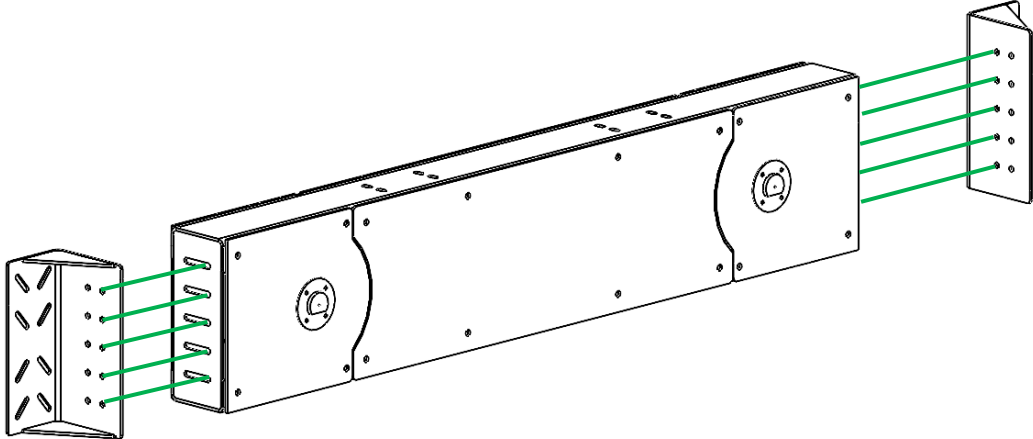
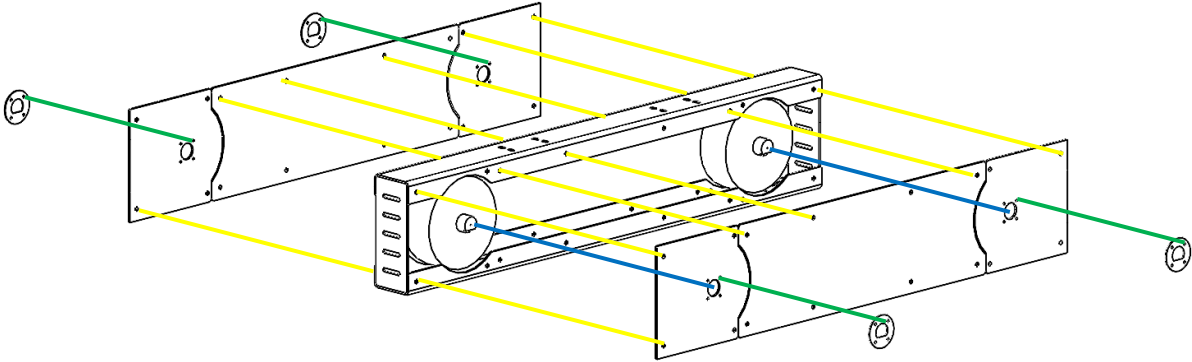
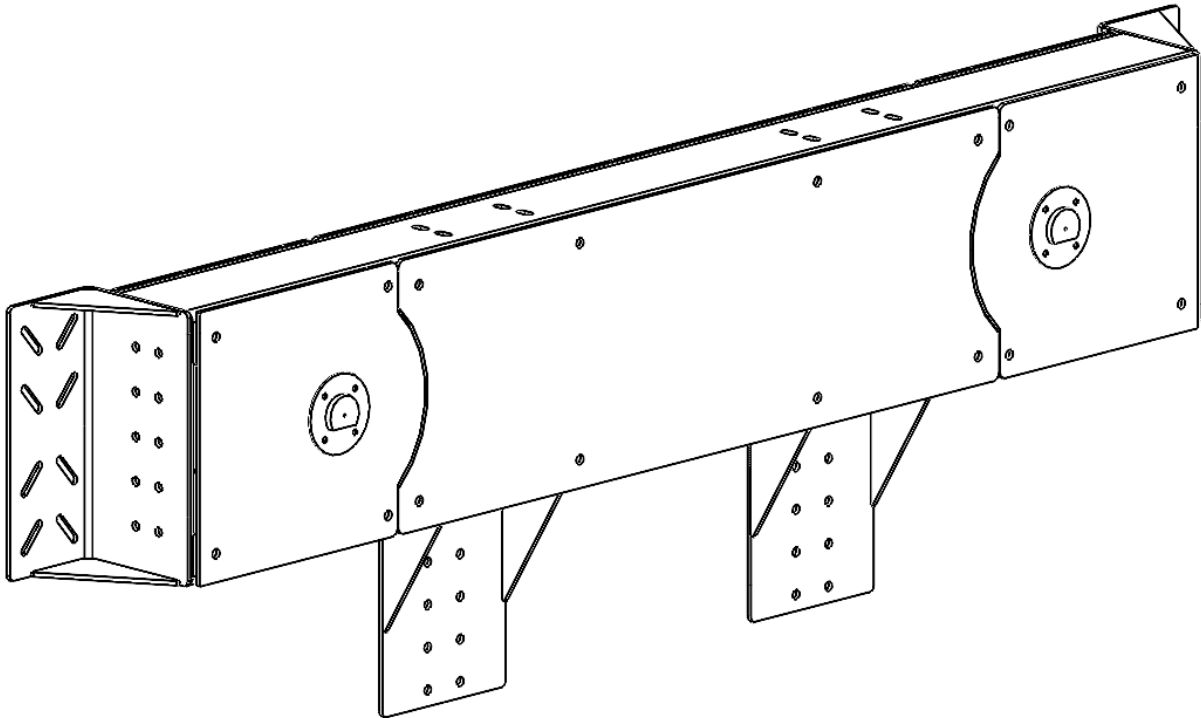
Machine Frame





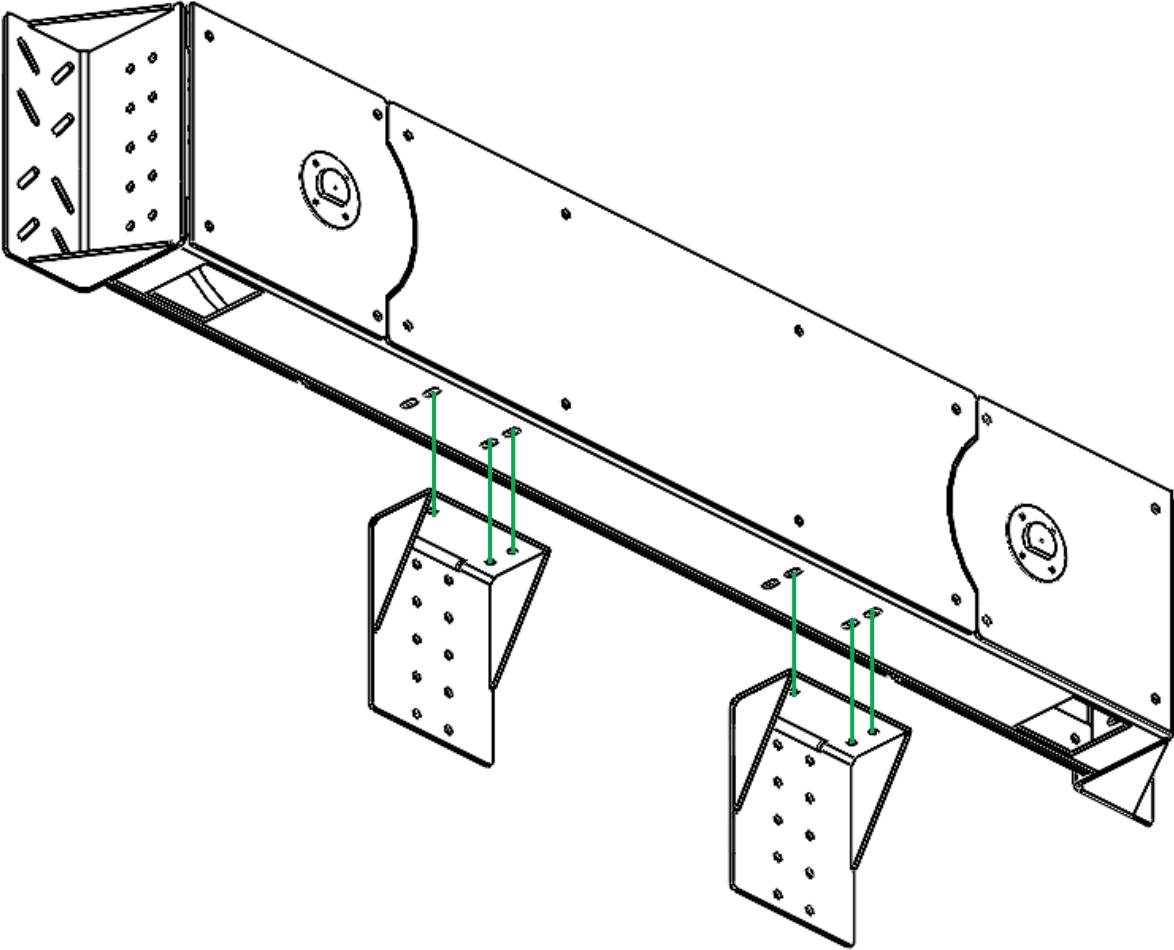
Pulley Table

Installation Manual



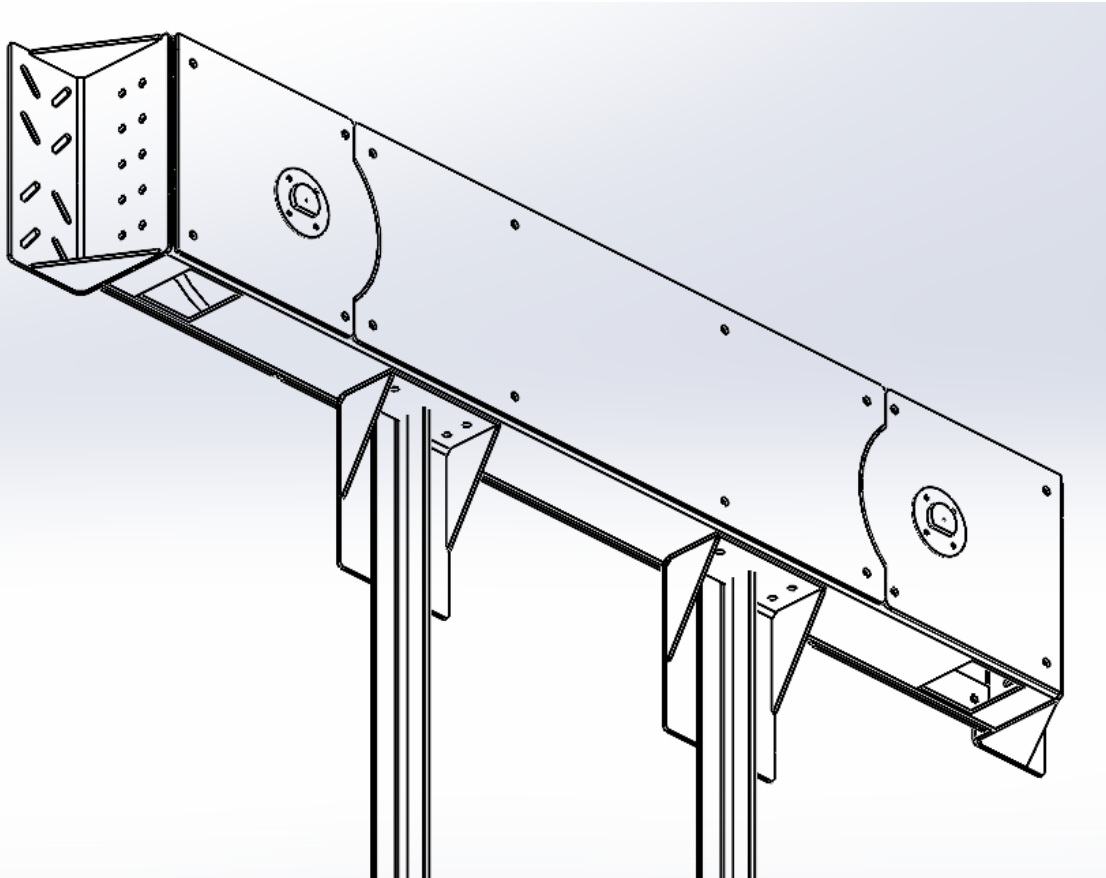
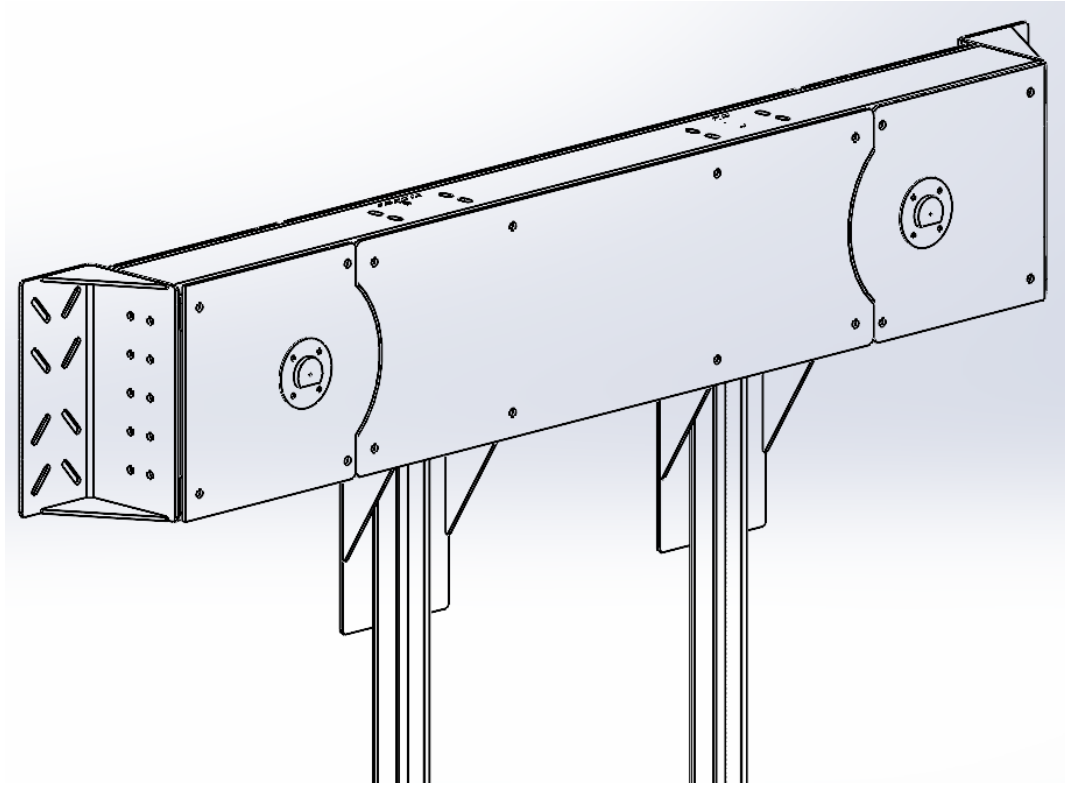


Pulley Table



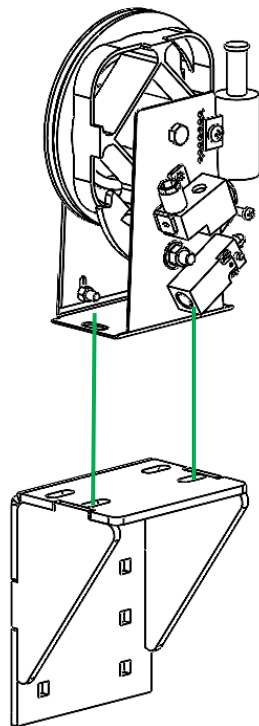
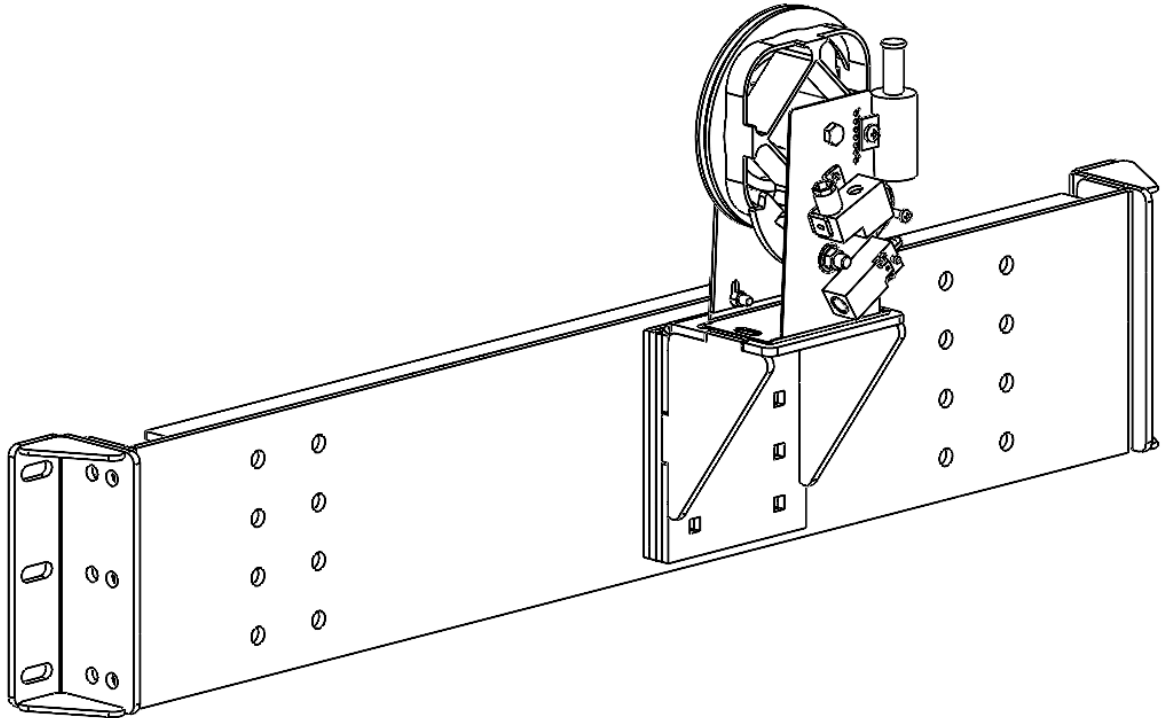


Pulley Table



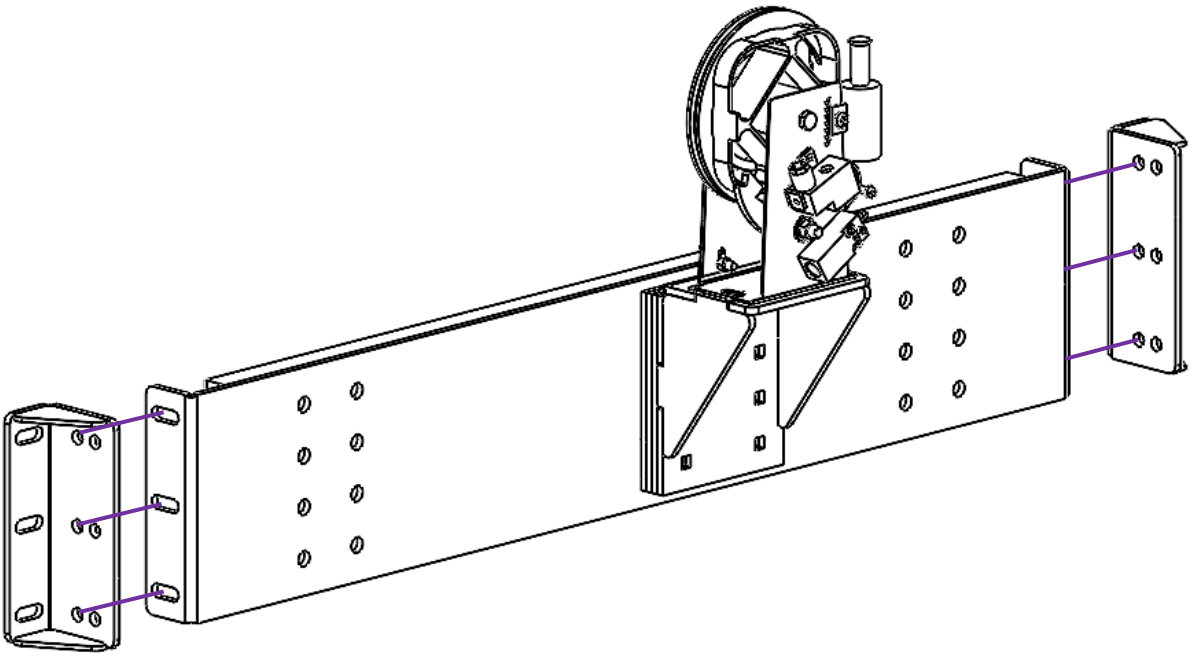
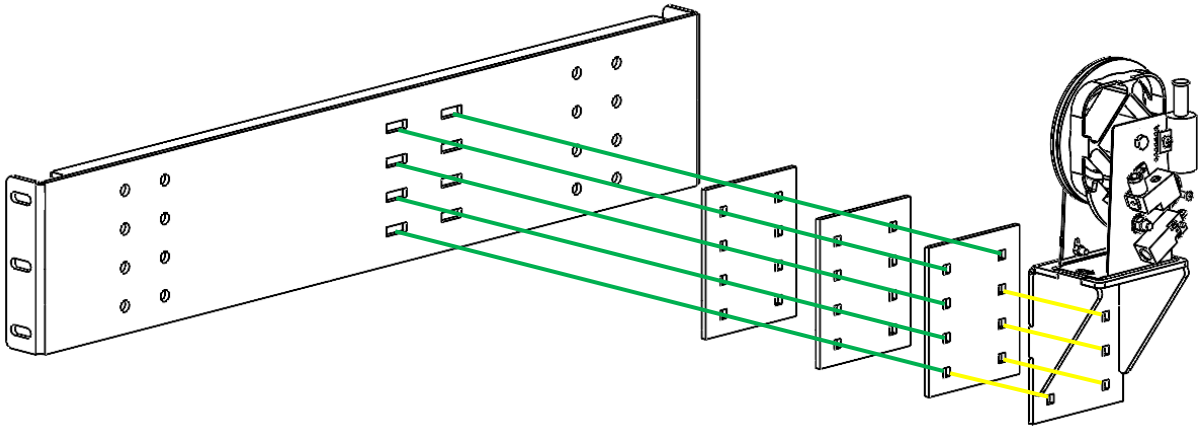


OSG Table



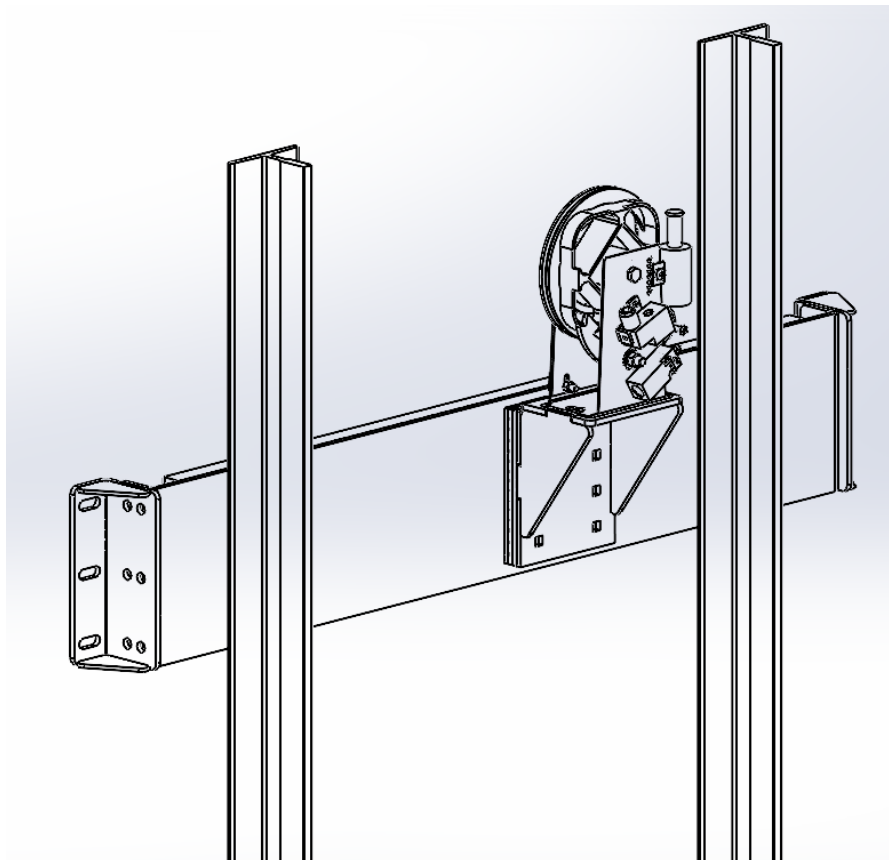
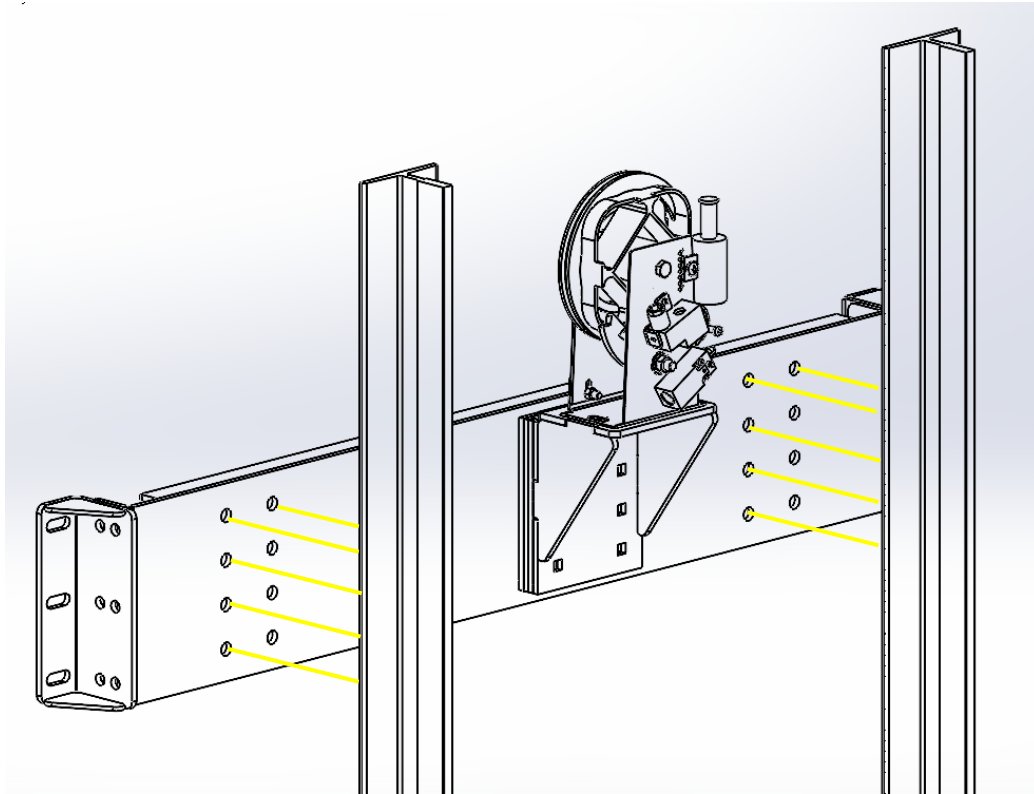


OSG Table



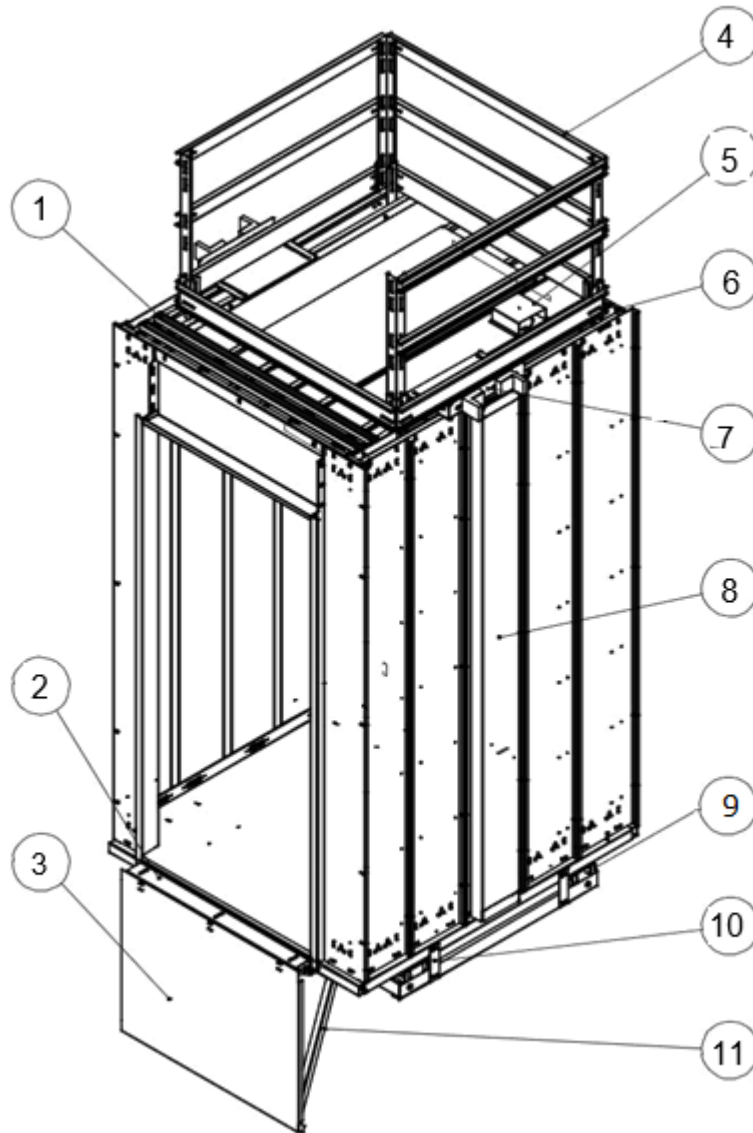


OSG Table





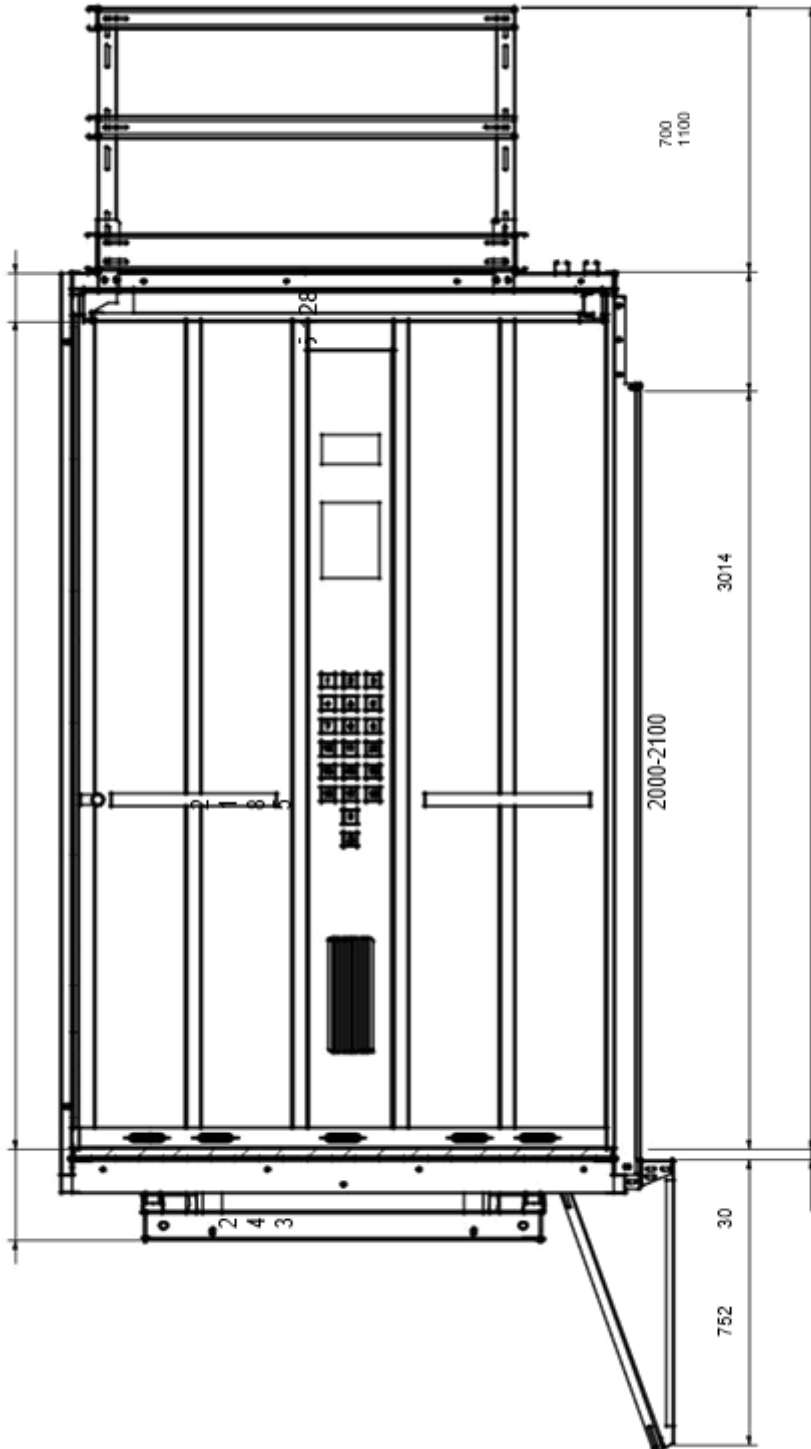
Cabin



1. Door connection profile
2. Door sill
3. Door apron
4. Balustrade
5. Ventilation cover
6. Ceiling hanger
7. L-profile (Cabin frame connection)
8. COP box
9. Load weighing device
10. Floor fixing
11. Gusset

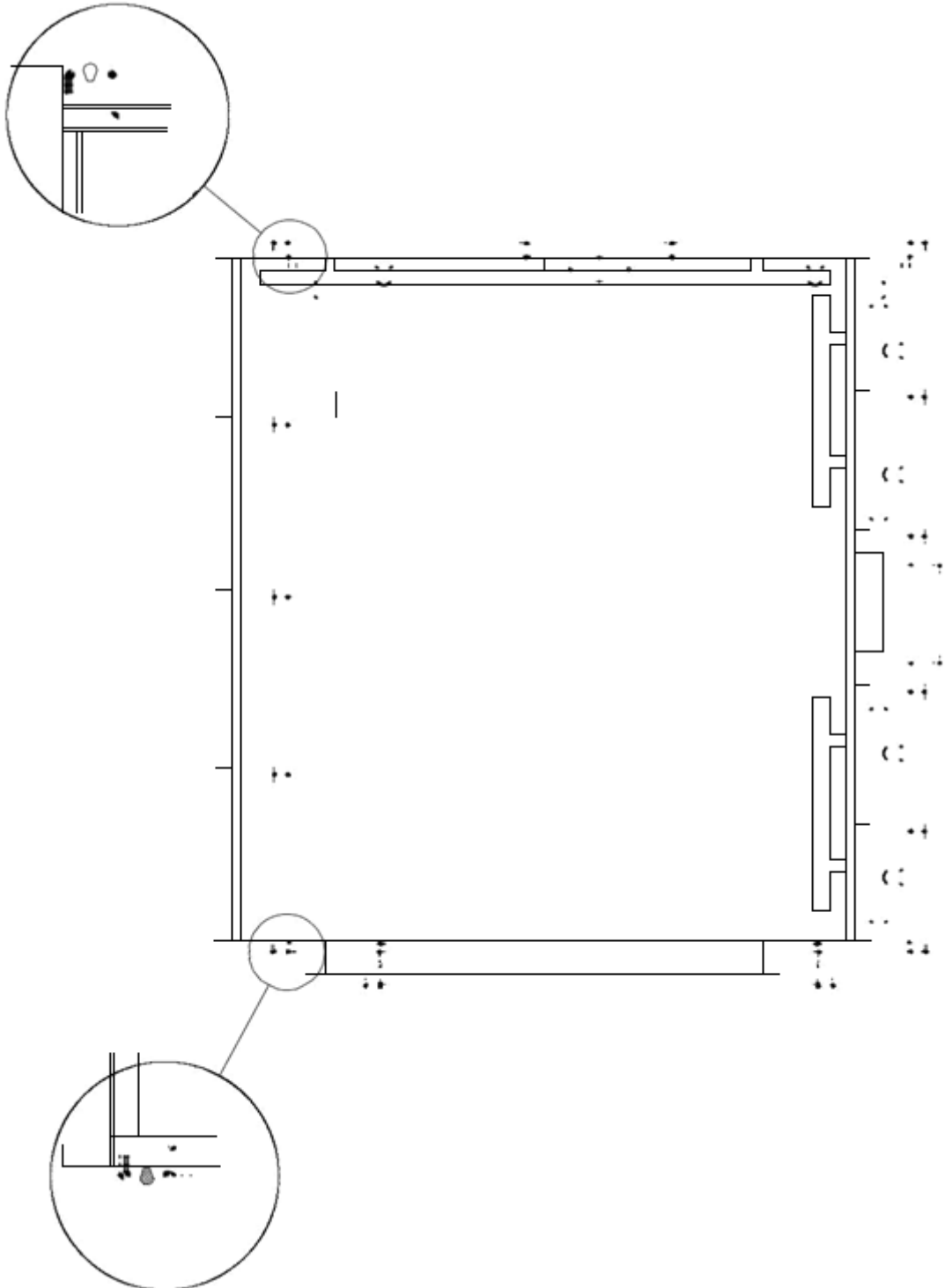


Cabin



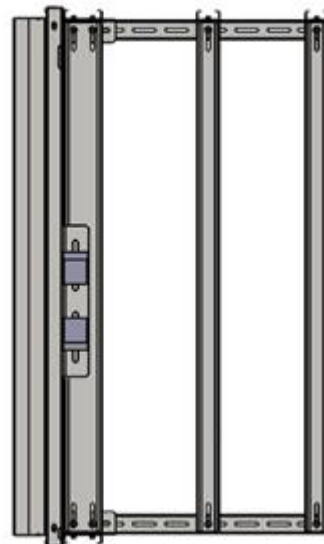
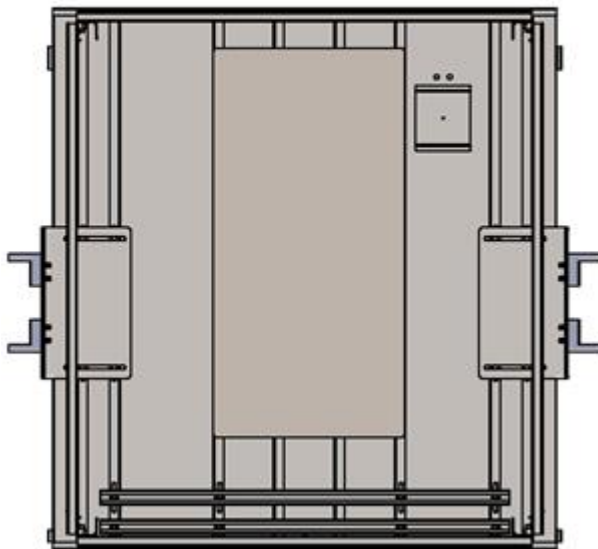
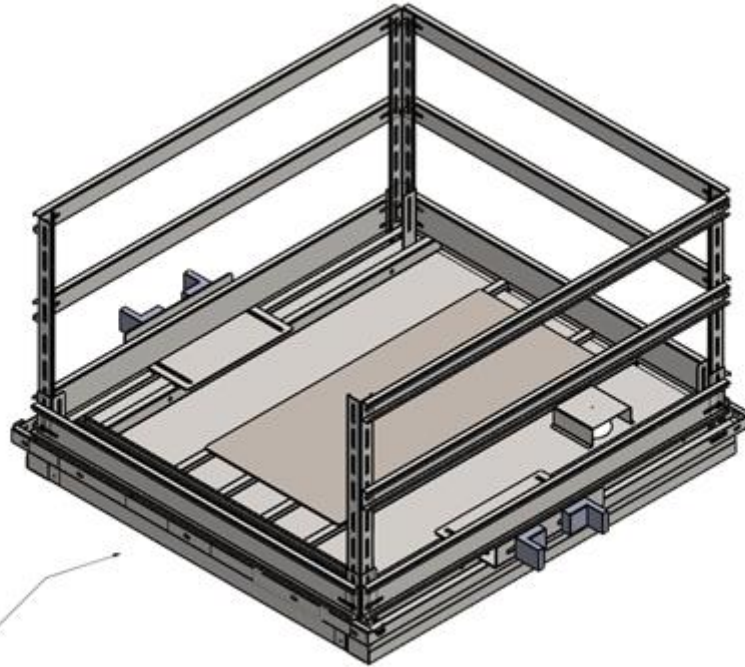


Cabin



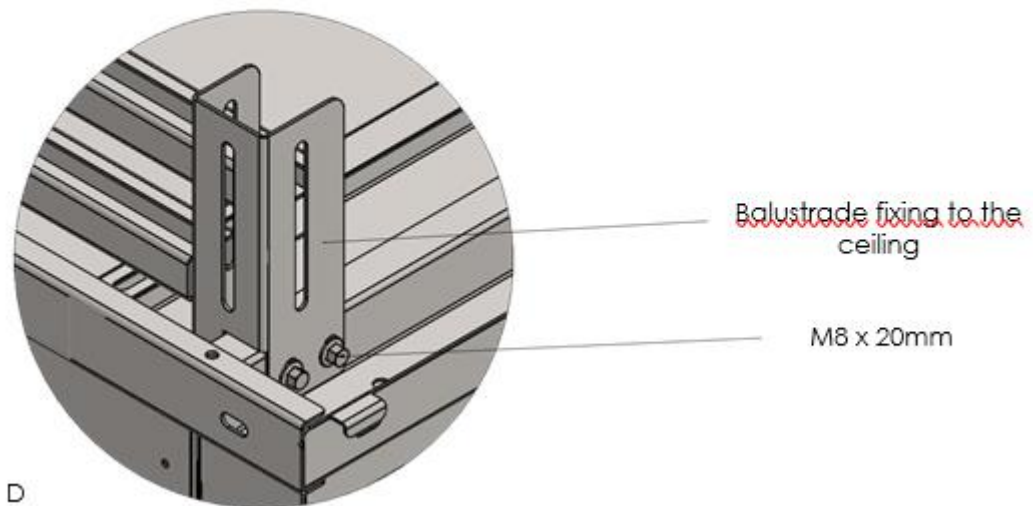
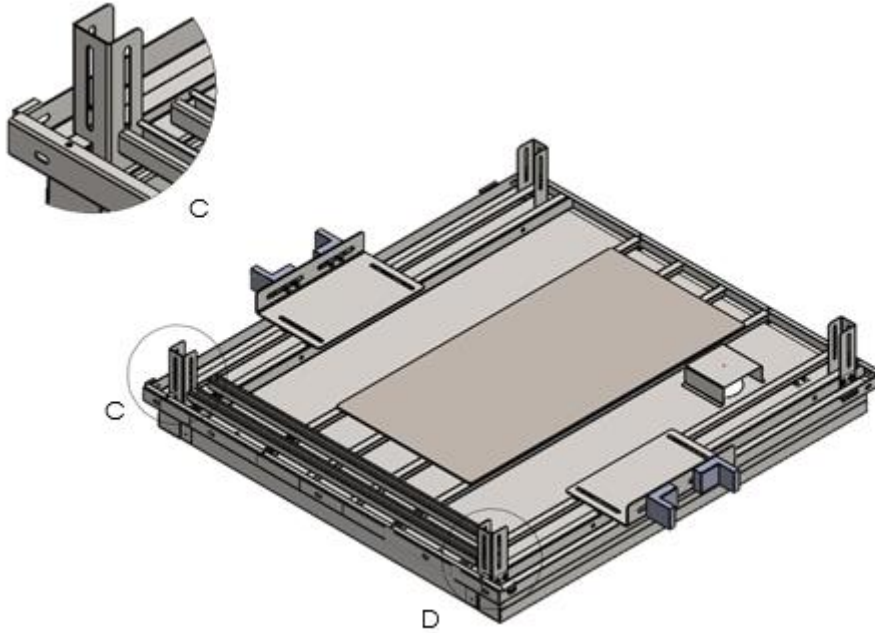


Balustrade



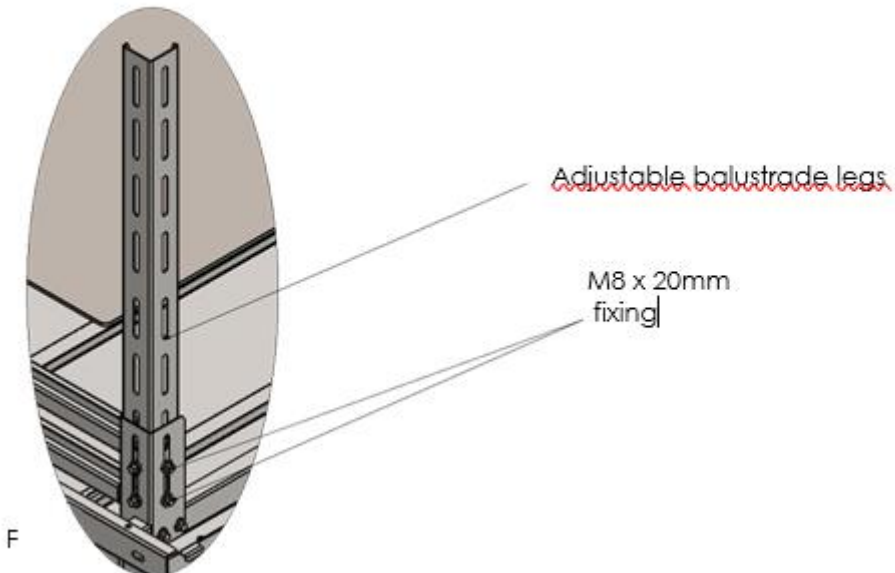
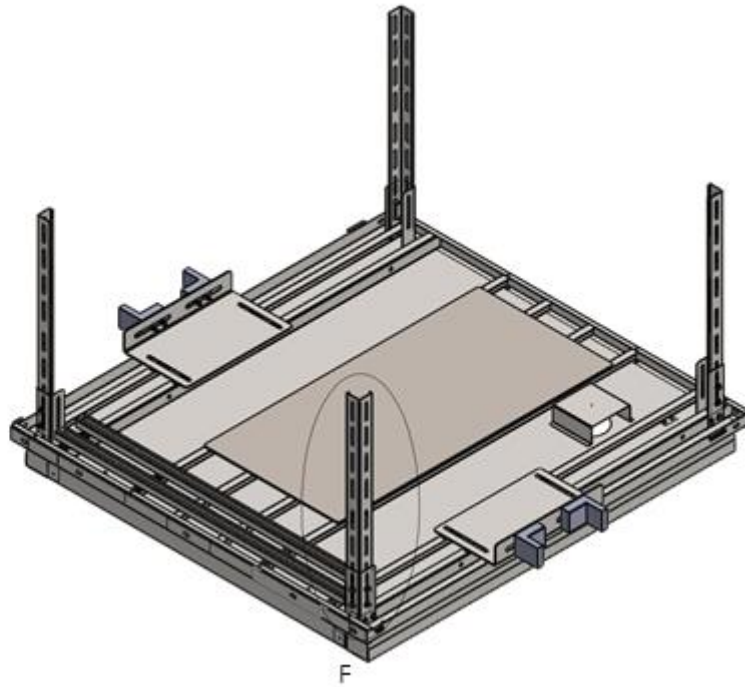


Balustrade





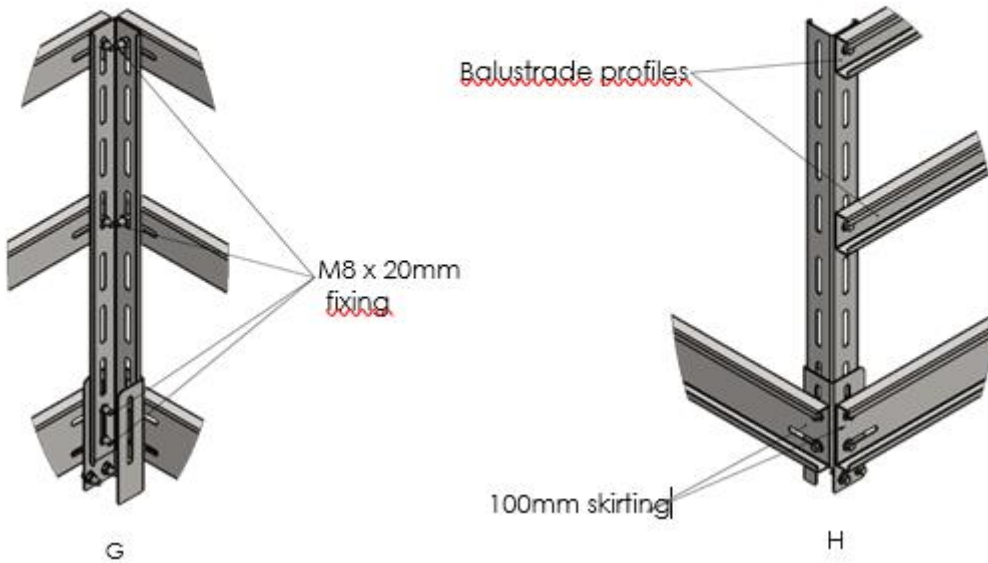
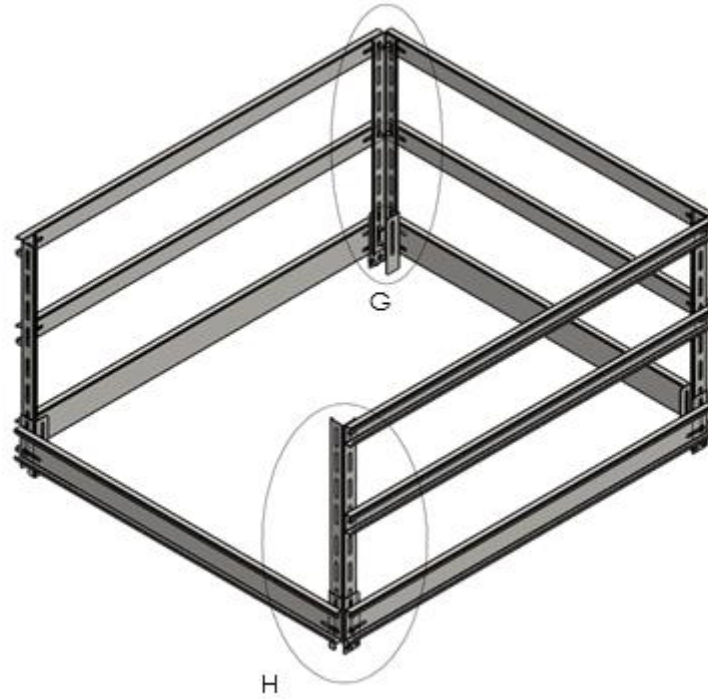
Balustrade





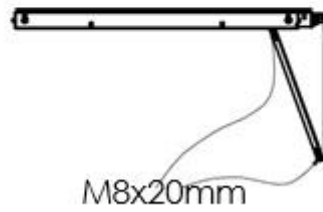
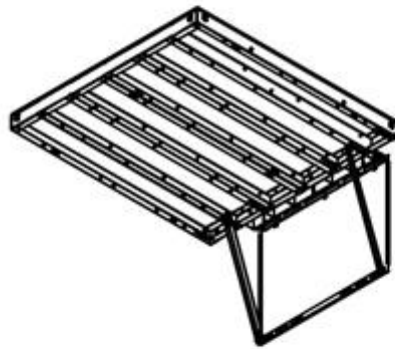
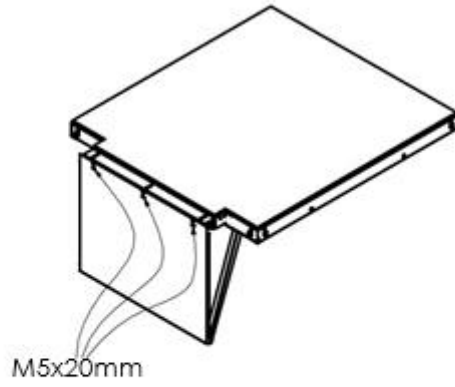
Balustrade

Installation Manual



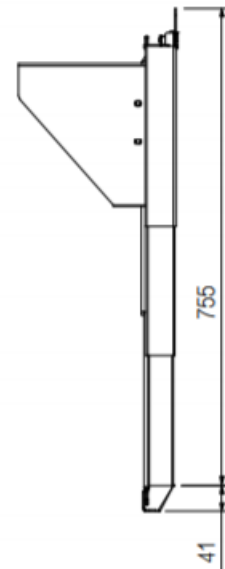
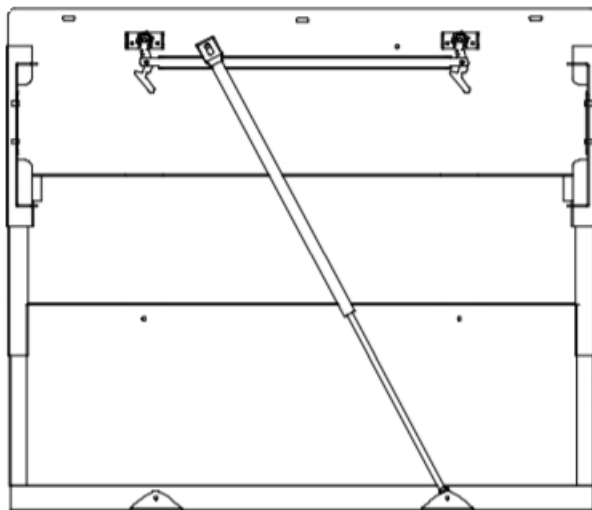
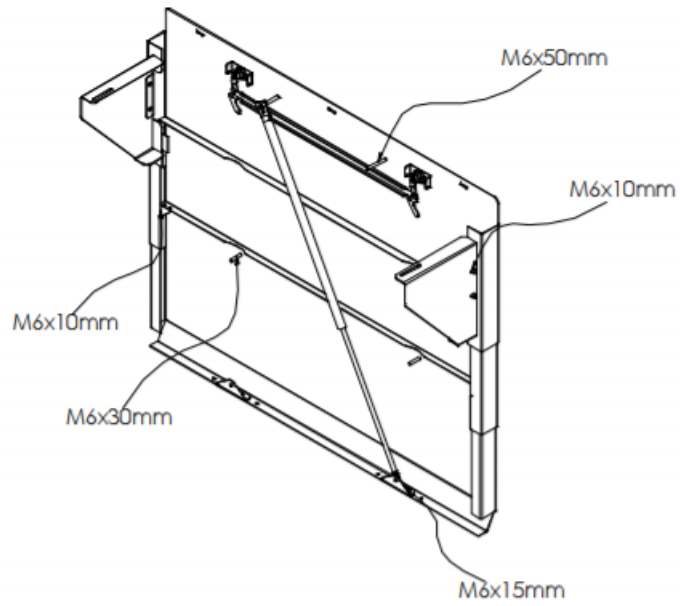


Door Apron



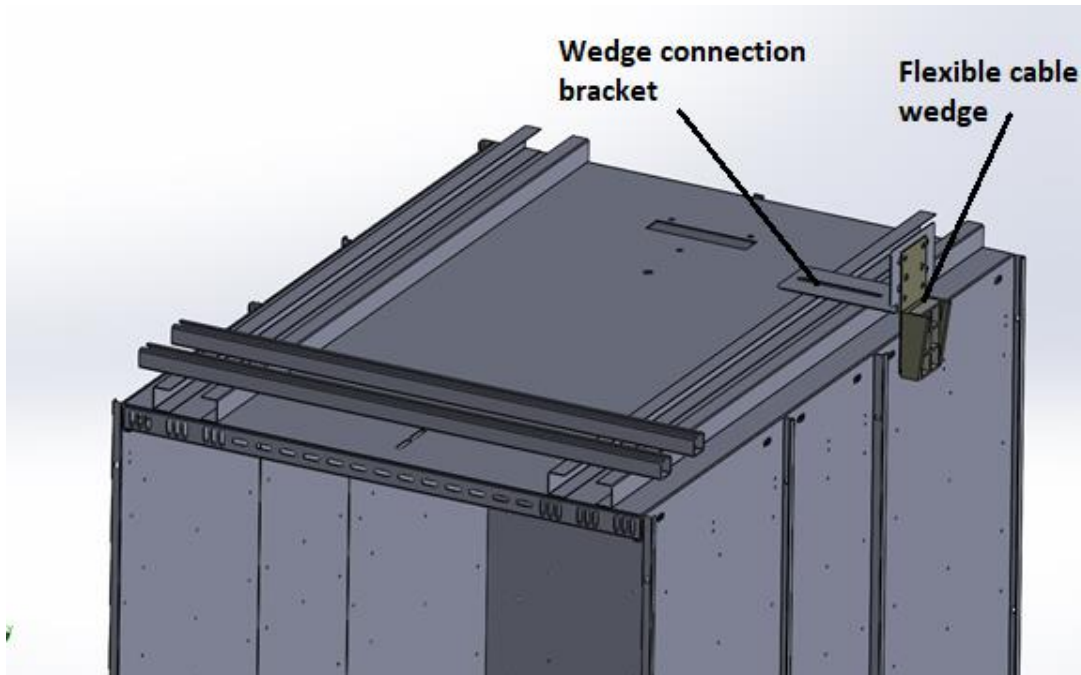


Telescopic Door Apron (if required)



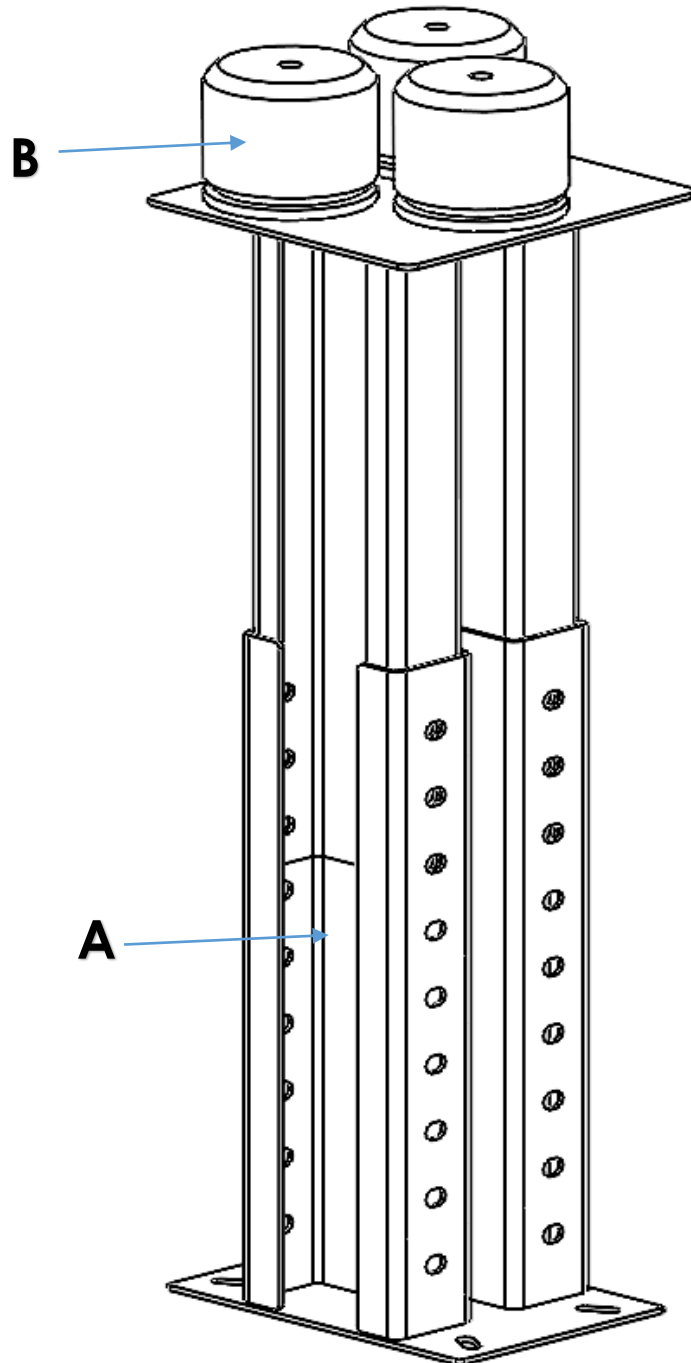


Flexible wedge connection to the Cabin roof





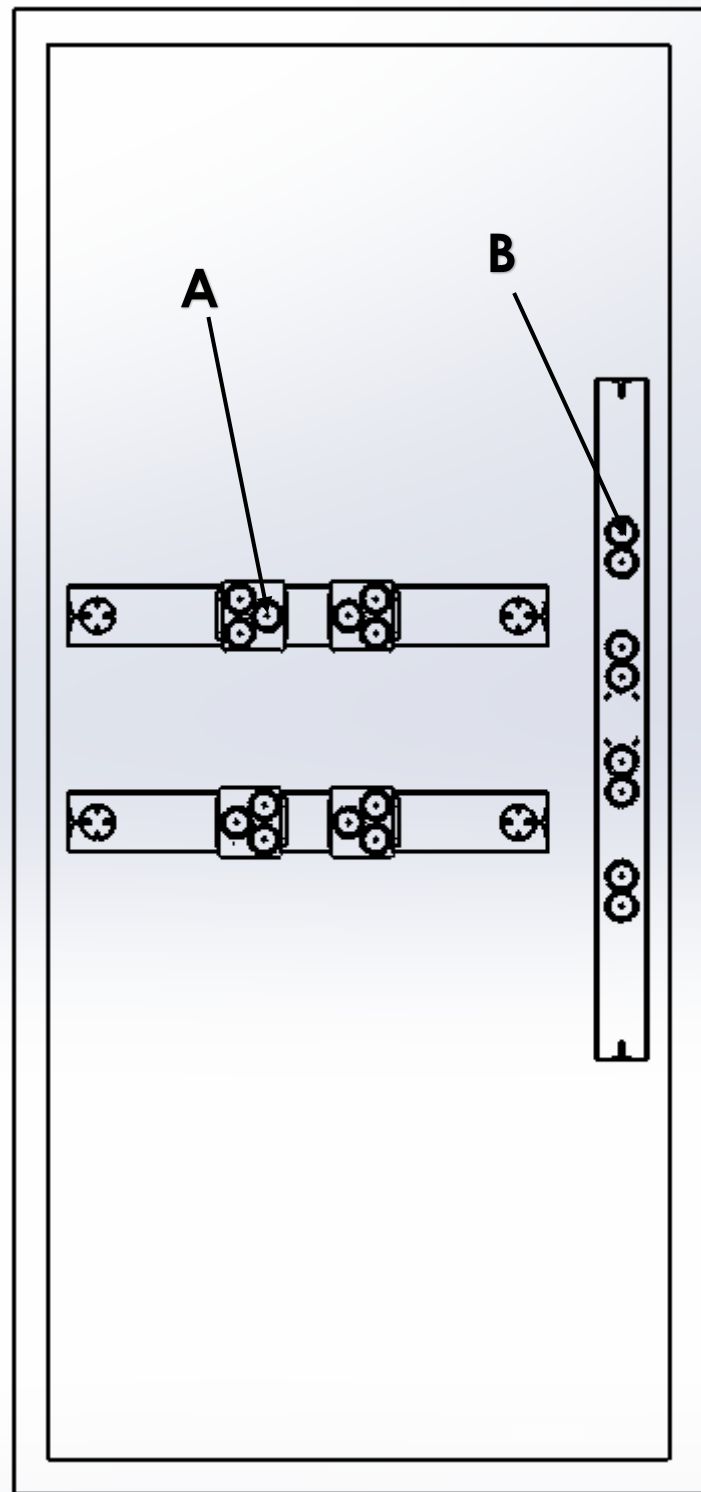
Buffer Table (Under Car)



- A- Buffer table
- B- Buffers



Buffer Table (Under Cwt and Under Car)

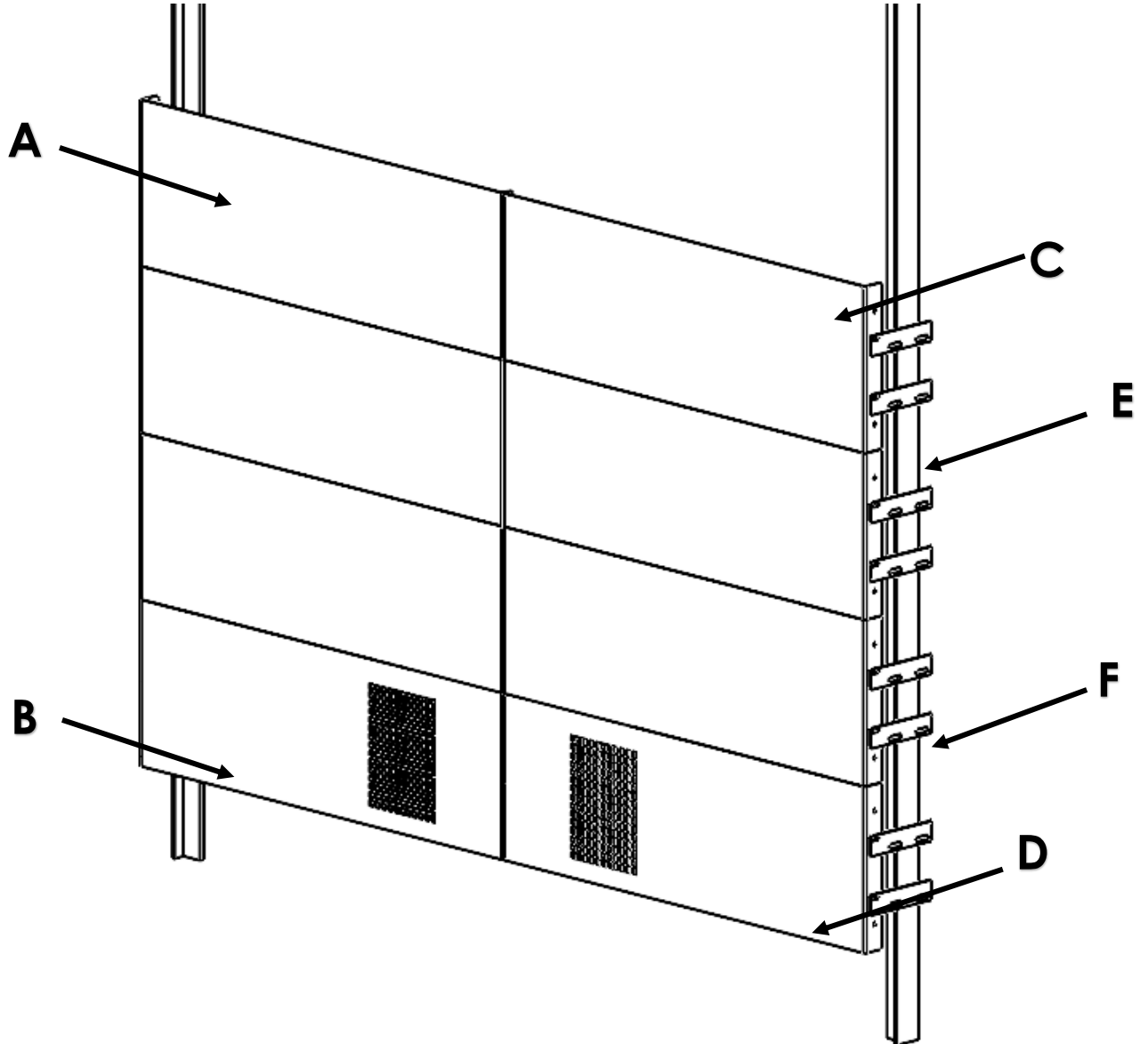


A- Buffer Table (Under Car)

B- Buffer (Under Cwt)



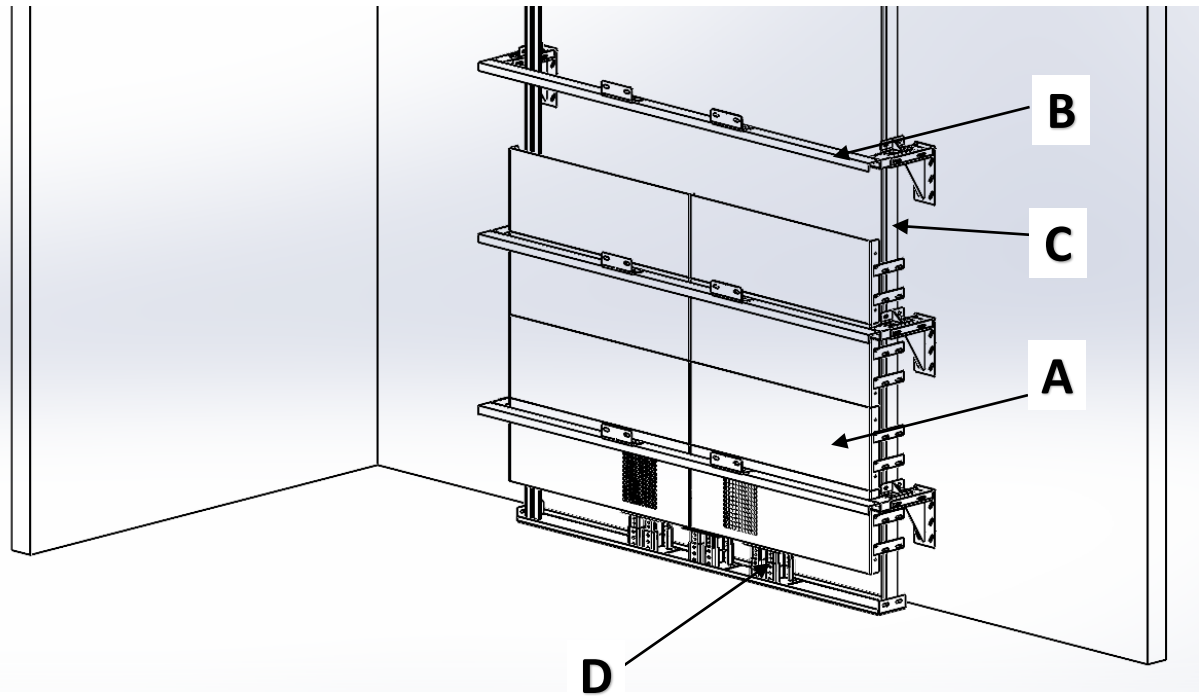
CWT Separator



- A- Plate 1
- B- Plate 2
- C- Plate 3
- D- Plate 4
- E- CWT guide rail
- F- Separator bracket



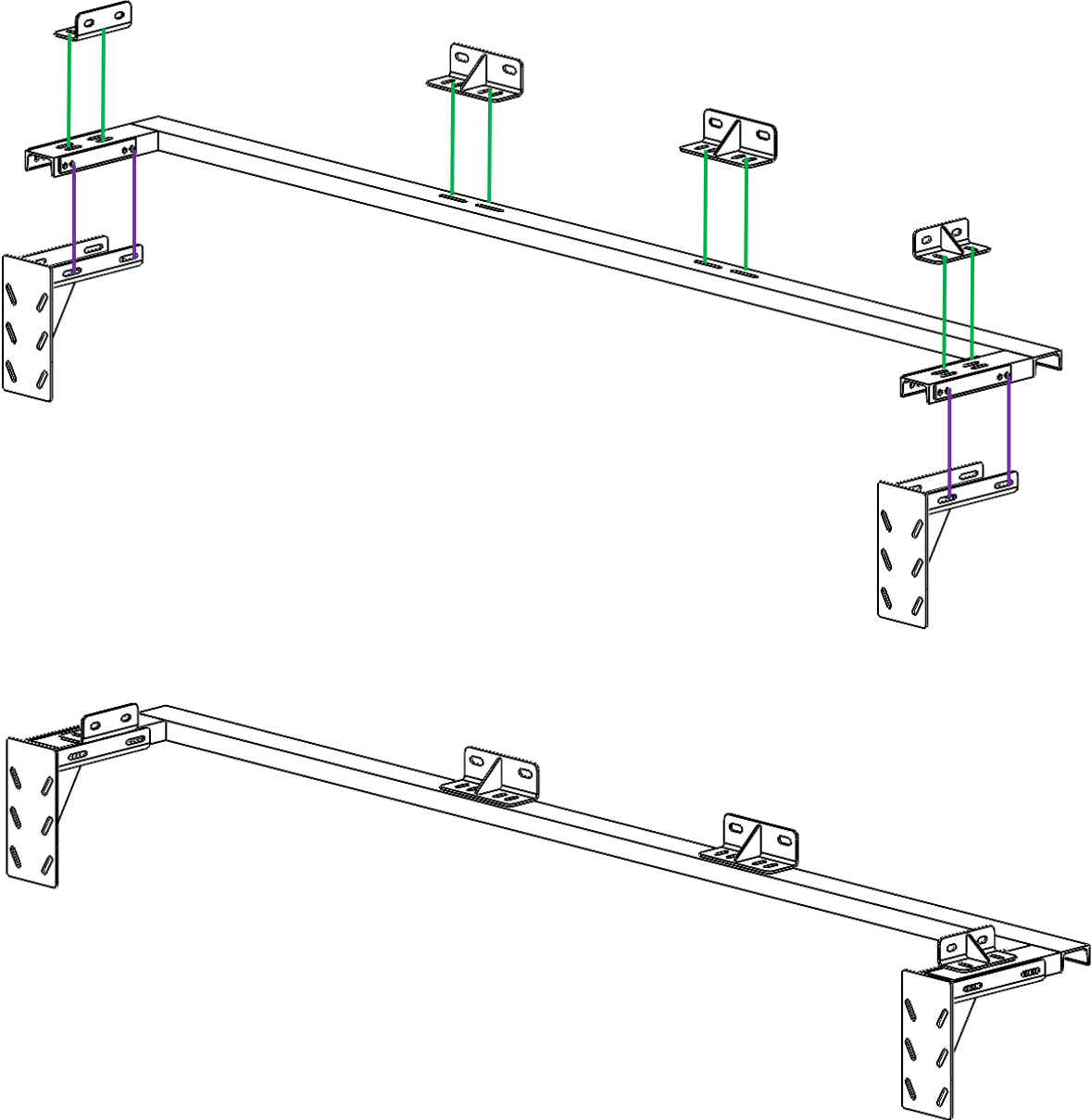
CWT Separator



- A- Separator
- B- Bracket
- C- Cwt Guide Rail
- D- Buffer Table (Under Cwt)

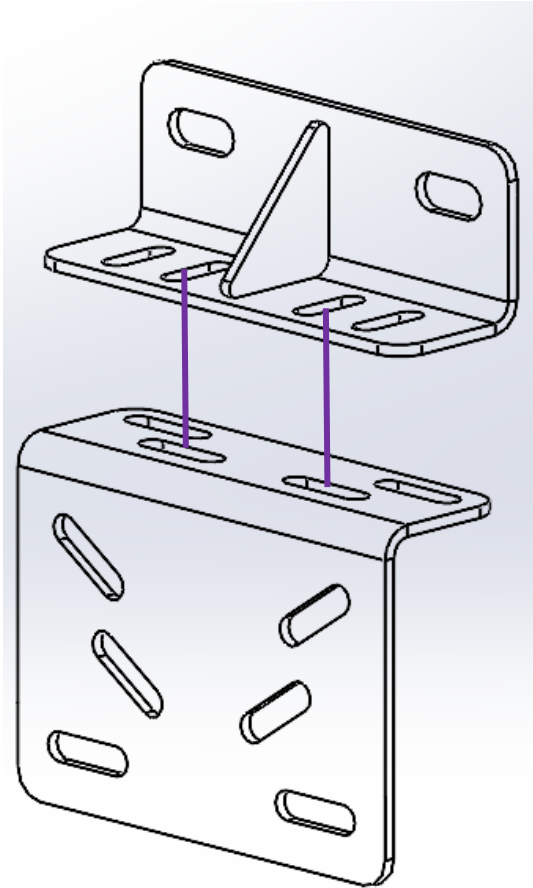


Brackets





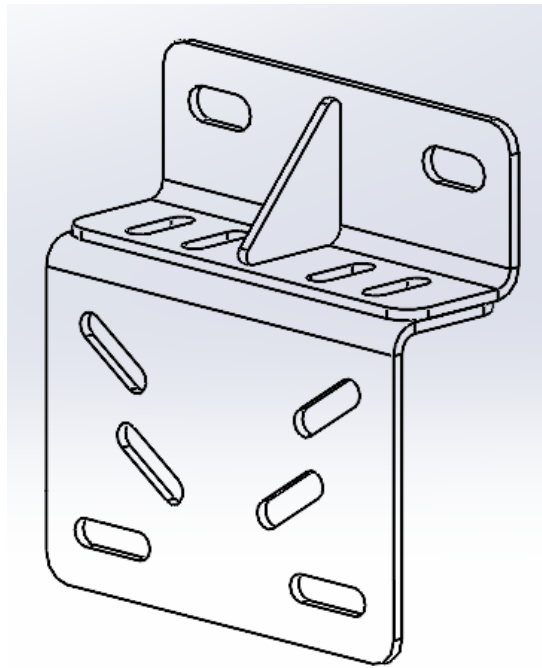
Brackets



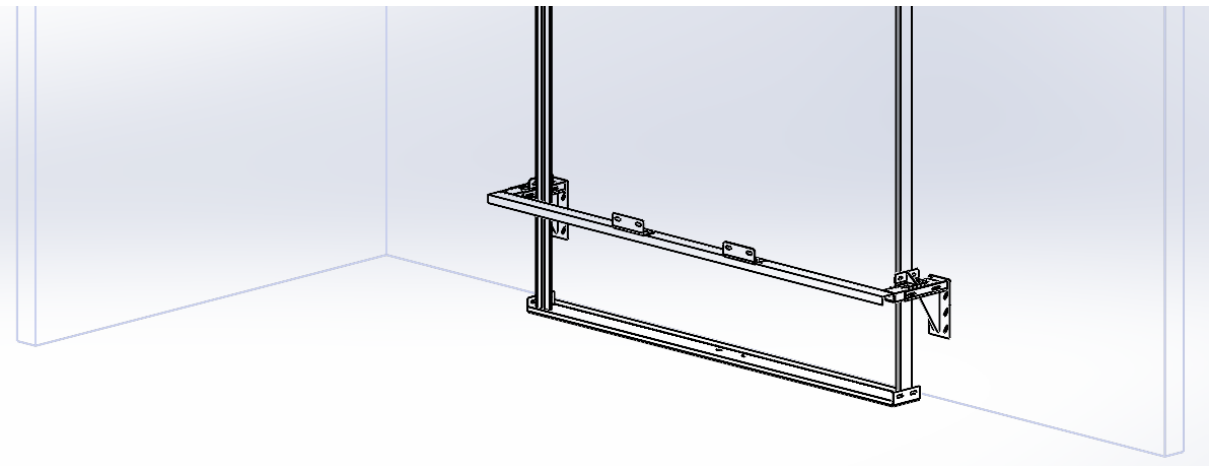


professor
elevator

Model 1040 4:1 MRL



Brackets

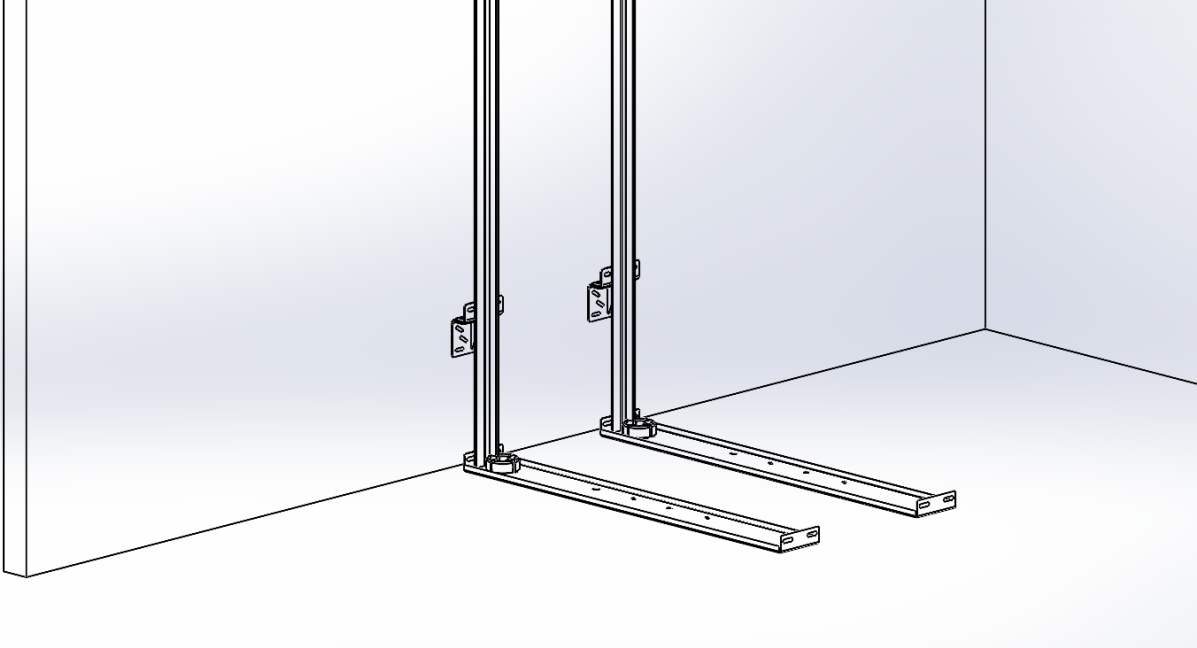


Installation Manual



professor
elevator

Model 1040 4:1 MRL

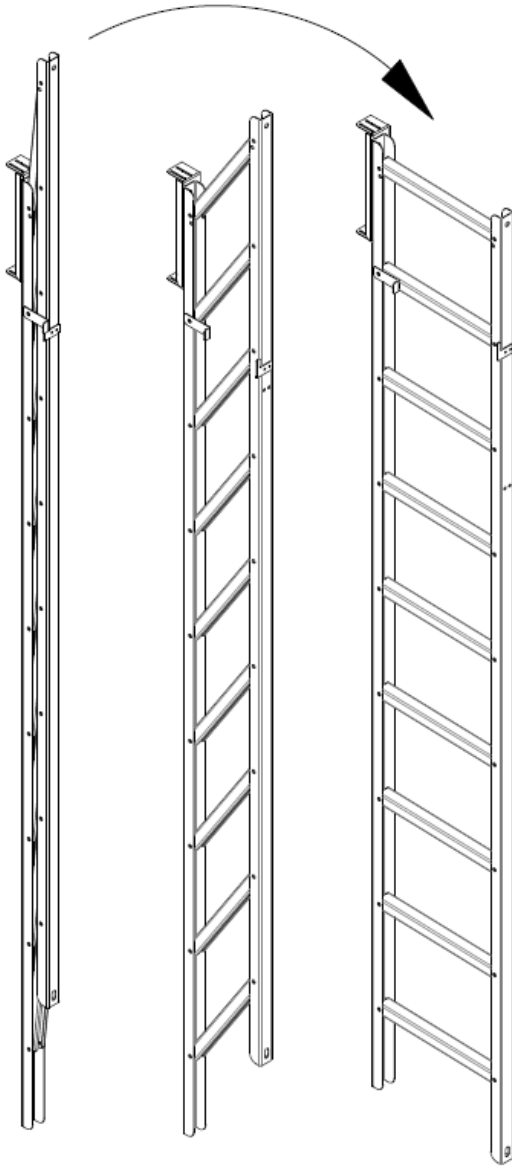


Installation Manual



professor
elevator
Folding Pit Ladder

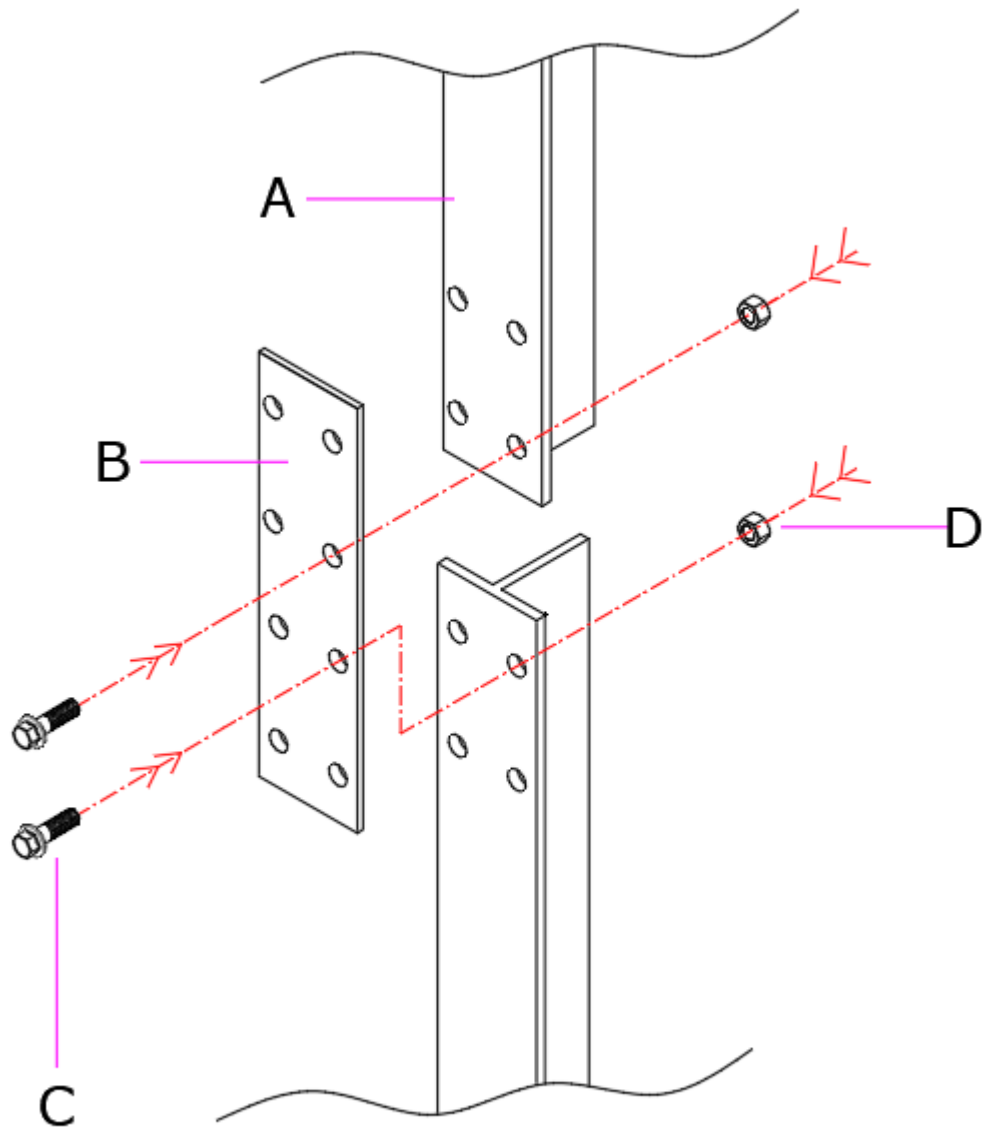
Model 1040 4:1 MRL



Installation Manual



Guide Rail Fishplate



- A- Guide rail
- B- Guide rail fishplate
- C- Bolt
- D- Nut

Pit Box

